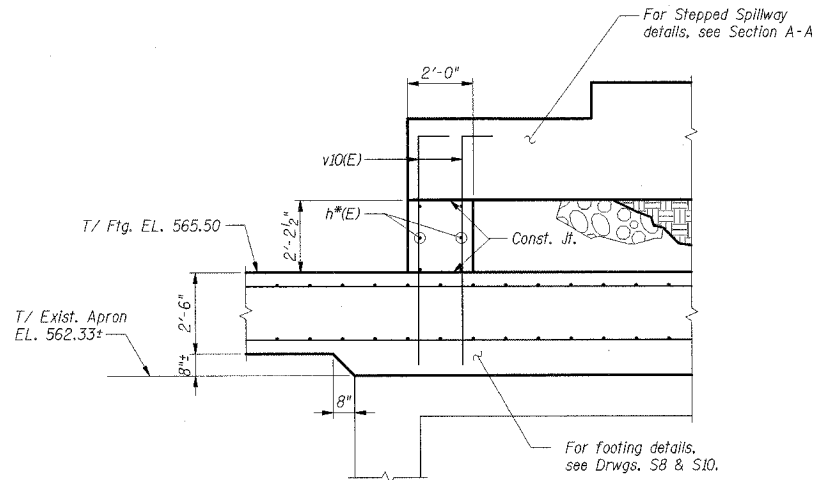
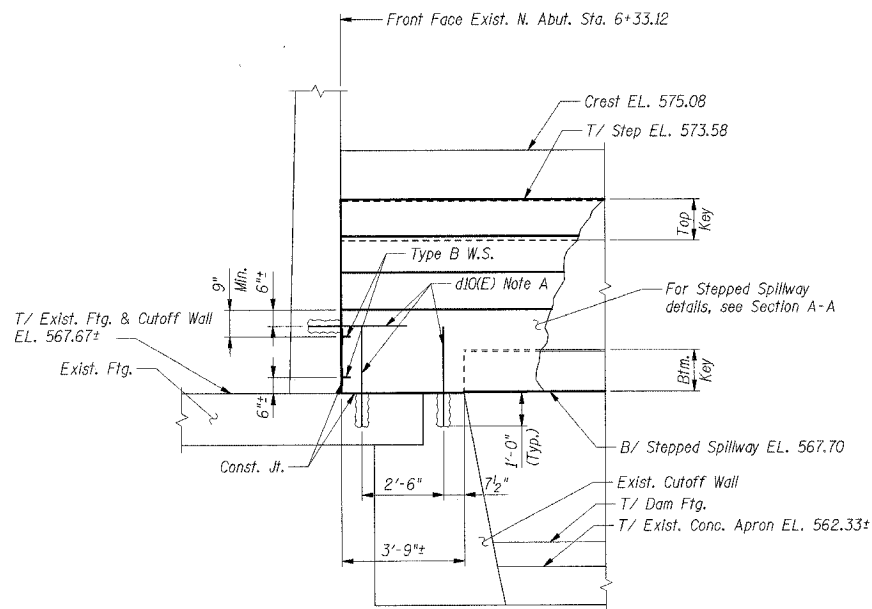


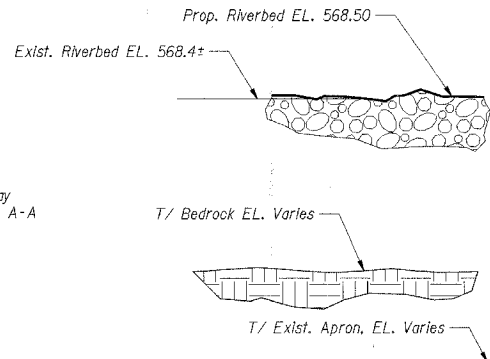
DETAIL 1



SECTION C-C

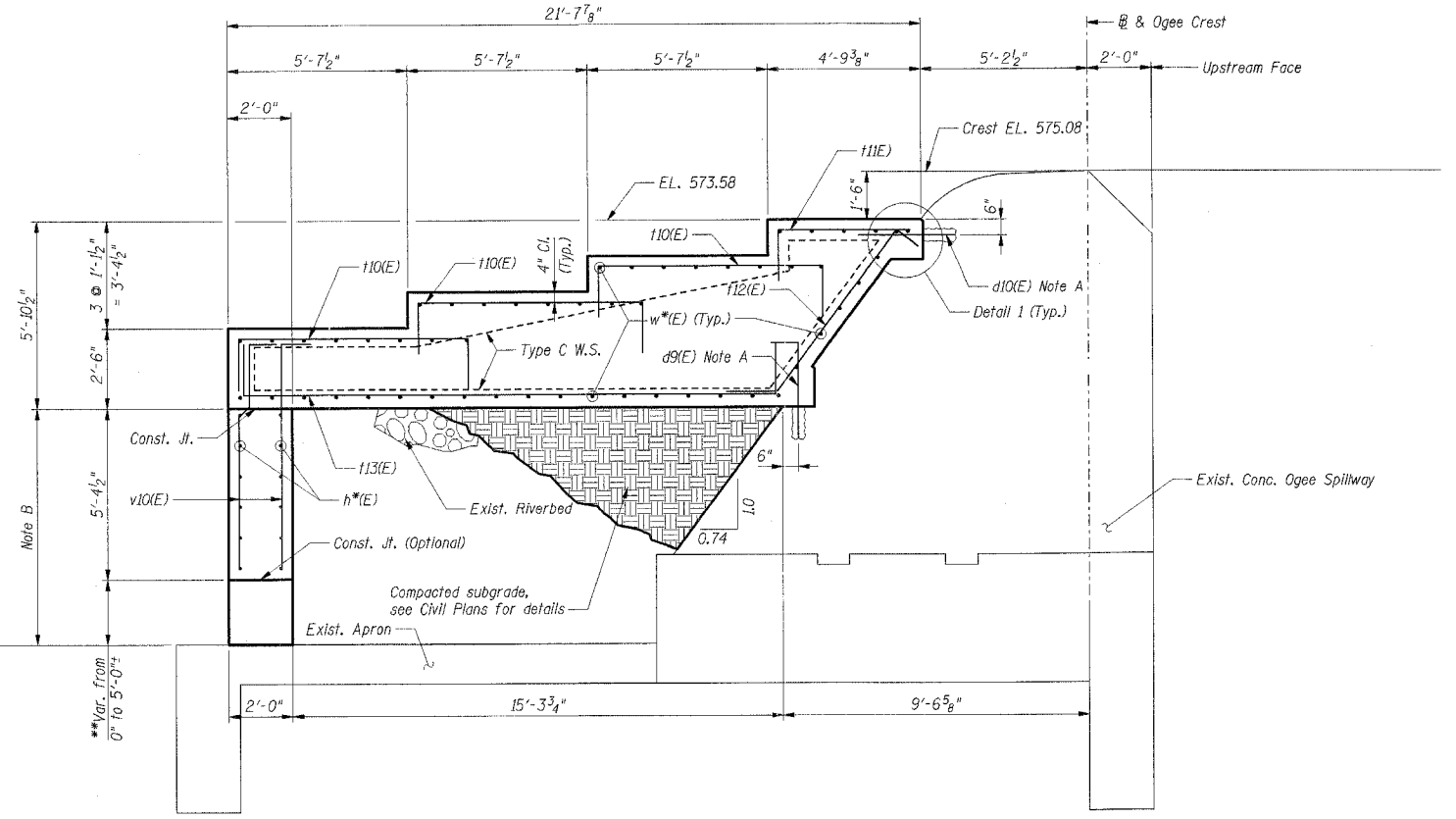


SECTION D-D

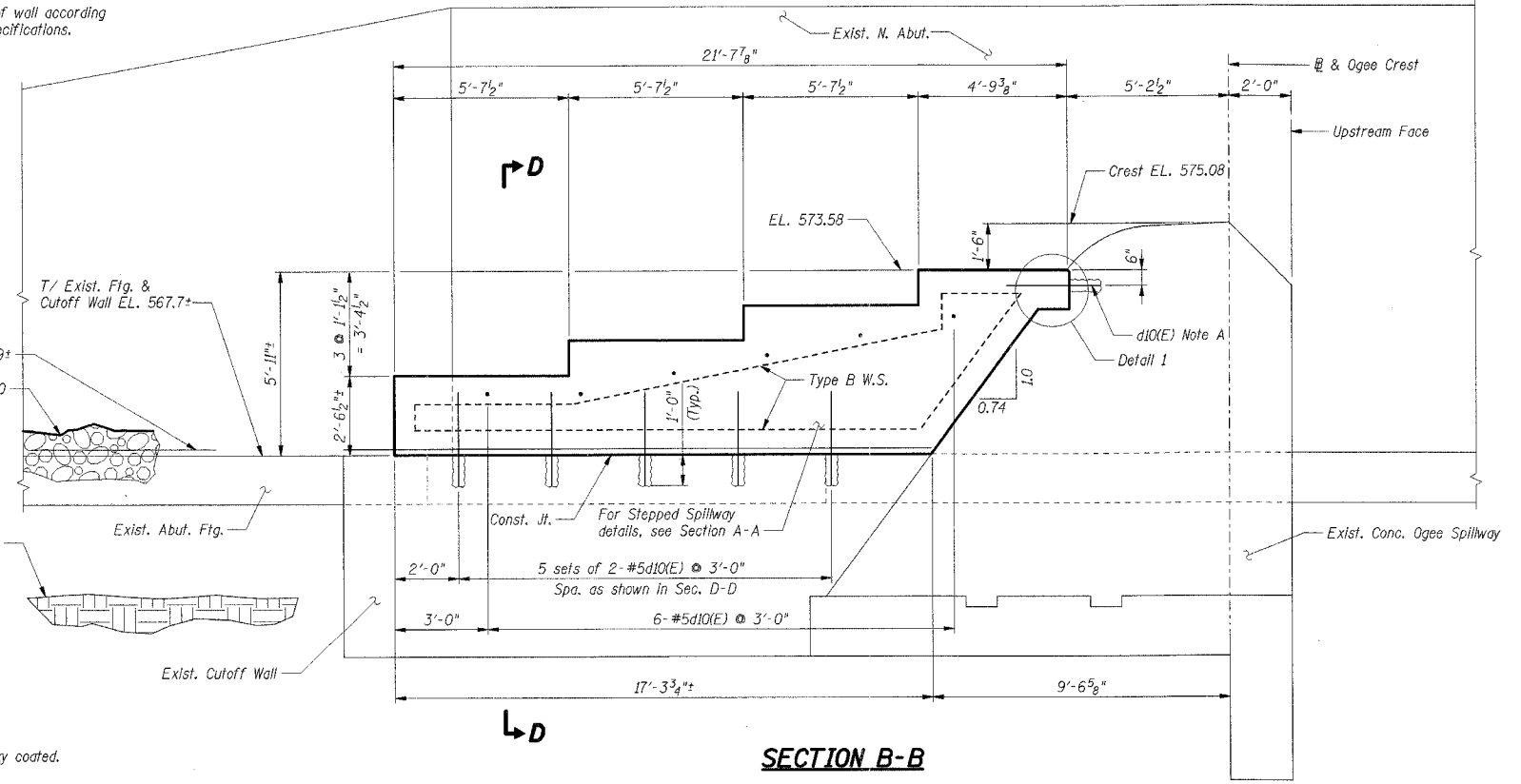


*For locations of reinforcement and bar designations, see Table of Reinforcement Bars on Drwg. S5.
**Concrete leveling pad, paid for as Concrete Structures. Contractor may place in accordance with Article 503.08 of the Standard Specifications.

Note A: Epoxy grout bars in drilled holes according to Section 584 of the Standard Specifications. The grout and method of application shall be approved by the Department. Cost included with Reinforcement Bars, Epoxy Coated.
Note B: Backfill simultaneously on both sides of wall according to Article 502.10 of the Standard Specifications.



SECTION A-A



SECTION B-B

- Notes**
1. Reinforcement bars designated (E) shall be epoxy coated.
 2. W.S. denotes waterstop.
 3. For Waterstop details, see Drwg. S2.
 4. Work this Drwg. with Drwg. S5.
 5. For Bar List & Bill of Material, see Drwg. S7.

Designed By RDS Checked By NK
 Drawn By RDS Checked By NK
 DRACAS/2
 1-31-2008
 14428
 \\PS-001\PROJ\STRUCT\DOCUMENT\6246801\STRUCT\CON\SPILLWAY\DWG