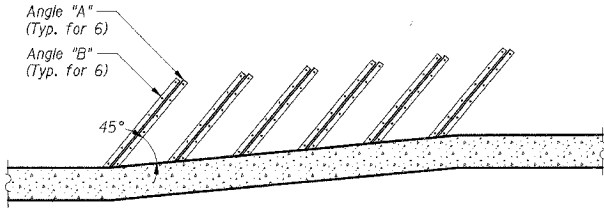
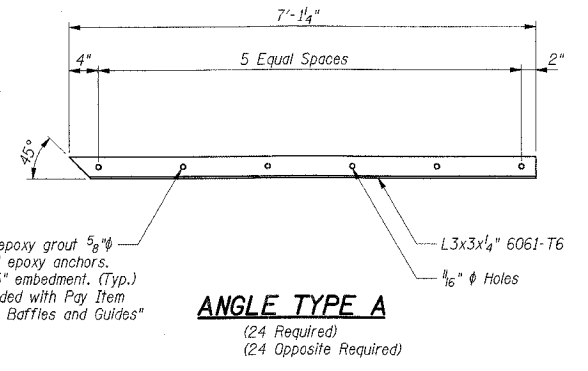


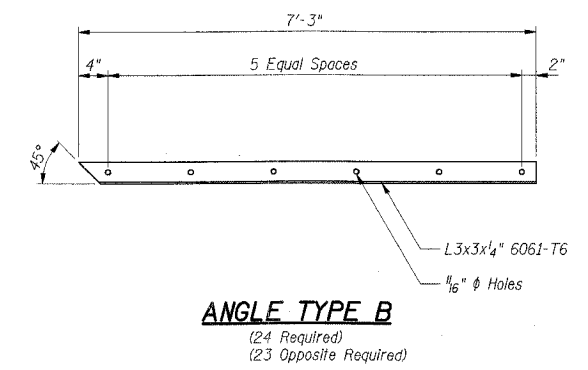
BAFFLE PLAN



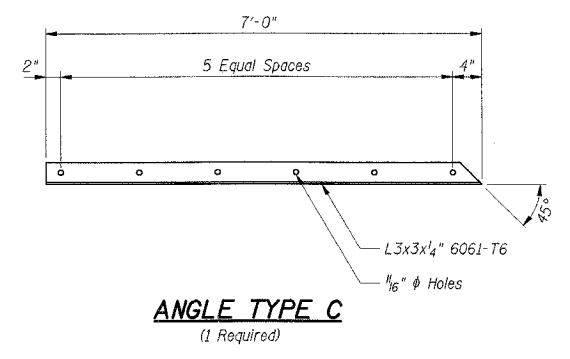
SECTION A-A



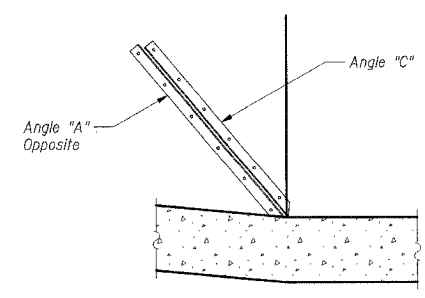
ANGLE TYPE A
(24 Required)
(24 Opposite Required)



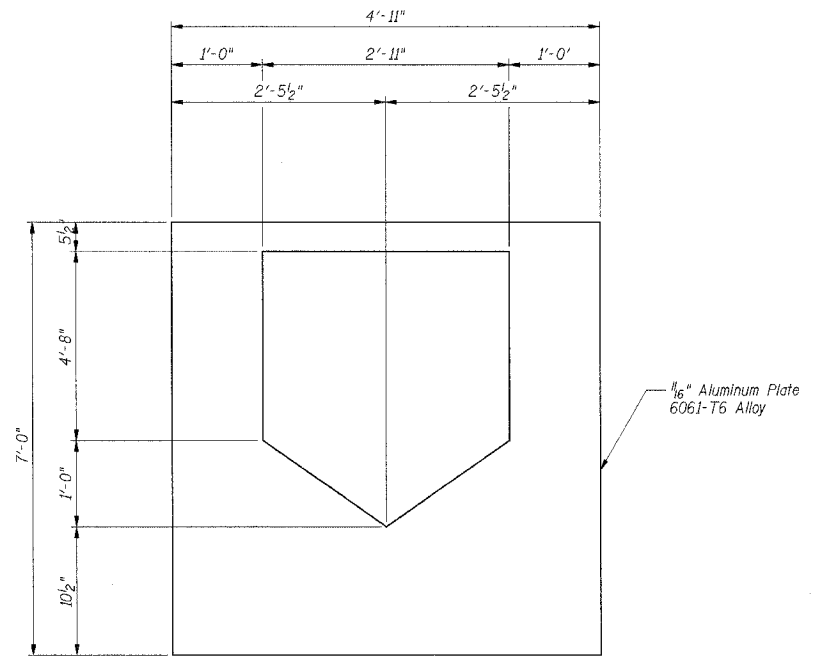
ANGLE TYPE B
(24 Required)
(23 Opposite Required)



ANGLE TYPE C
(1 Required)



SECTION B-B



DENIL BAFFLE DETAIL
(24 Required)

BILL OF MATERIAL

Material	Ea.	24
Aluminum Baffles and Guides		24

Designed By MEF Checked By BCC
 Drawn By NDD Checked By BCC
 DRAGAS/WZ 1-18-2006 11:46:11
 \\FS-0001\PROJ\STR\DOCUMENT\224860\STRUCT\DWG\DET01.DWG