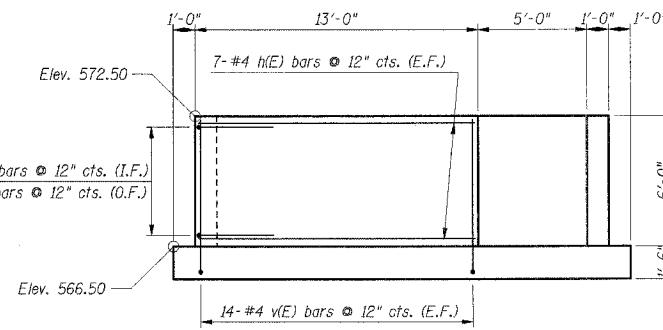
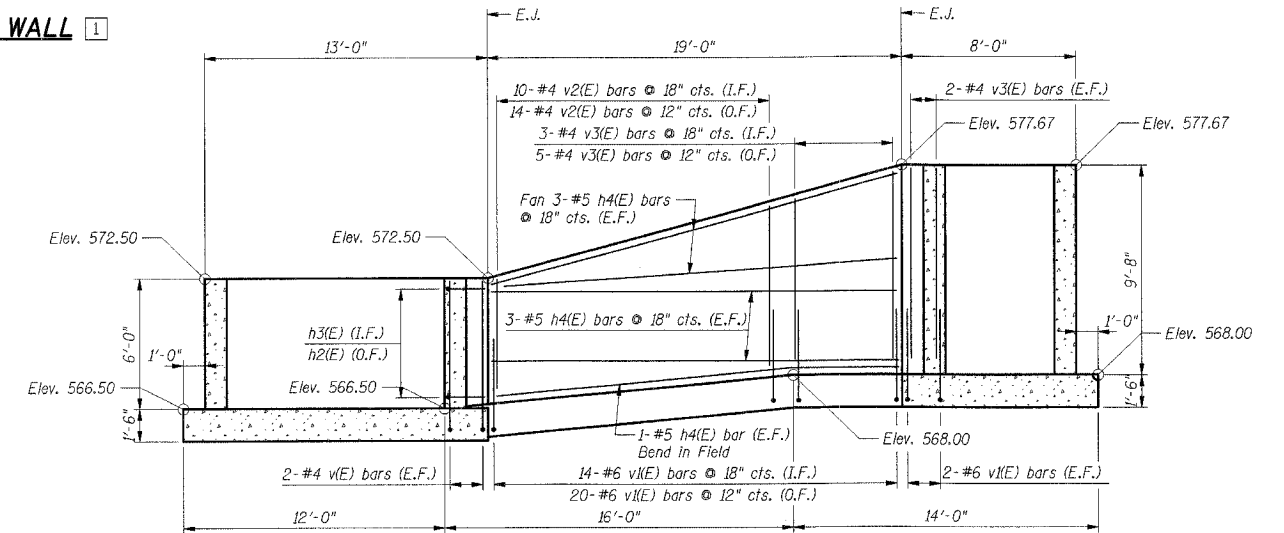


MIN. BAR LAPS

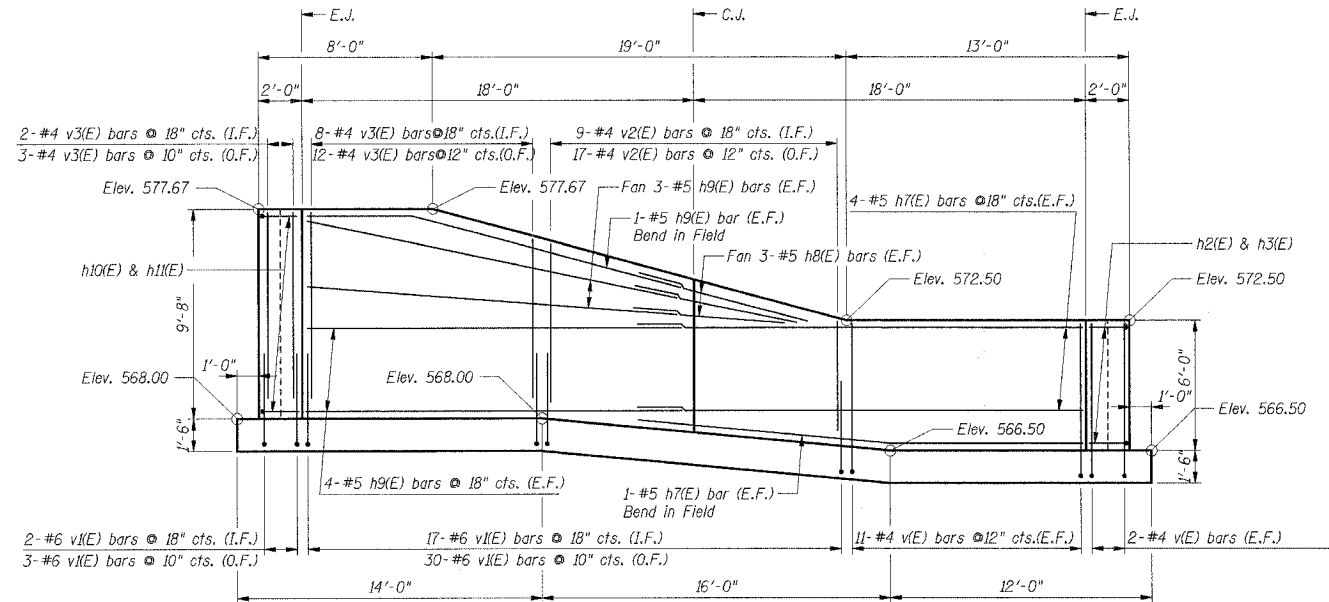
- #4 = 2'-6"
- #5 = 3'-2"
- #5 = 3'-8" (Top Bar)
- #6 = 3'-10"



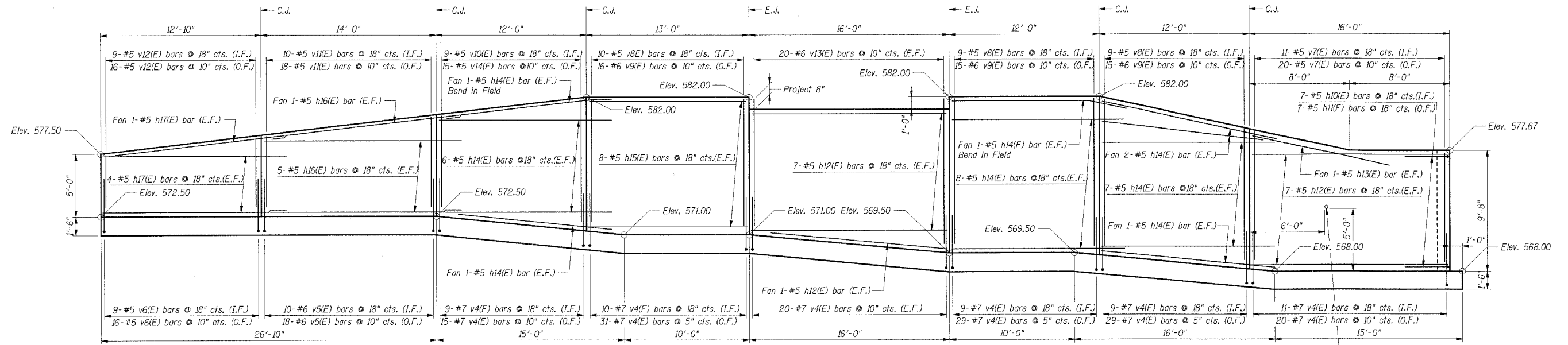
ELEVATION - SOUTH WALL [1]
(Looking North)



ELEVATION - EAST WALL [2]
(Looking West)



ELEVATION - WEST WALL [5]
(Looking East)



ELEVATION - NORTH WALL [7]
(Looking South)

French Drain Outlet
See Sheet S20 for detail

DESIGNED BY MEF CHECKED BY BGC
 DRAWN BY NDD CHECKED BY BGC
 DATE 1-28-2016
 PROJECT 114468
 DOCUMENT STRUCTURE/SPILLWAY/DEVELOPMENT/WORKING