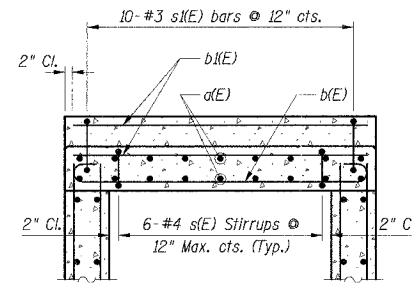
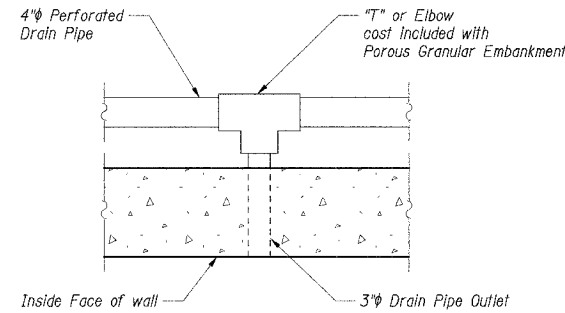


Tilt b(E) bars as necessary to provide the specified clearances.

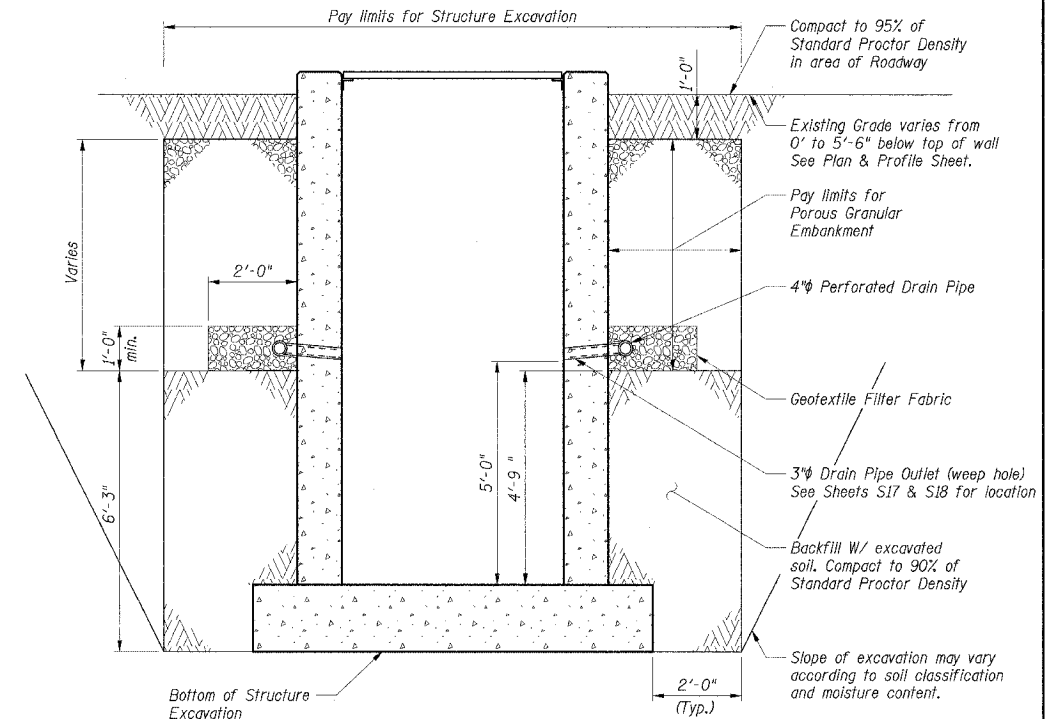
SECTION A-A
(Bridge Slab)



SECTION B-B
(Bridge Slab)



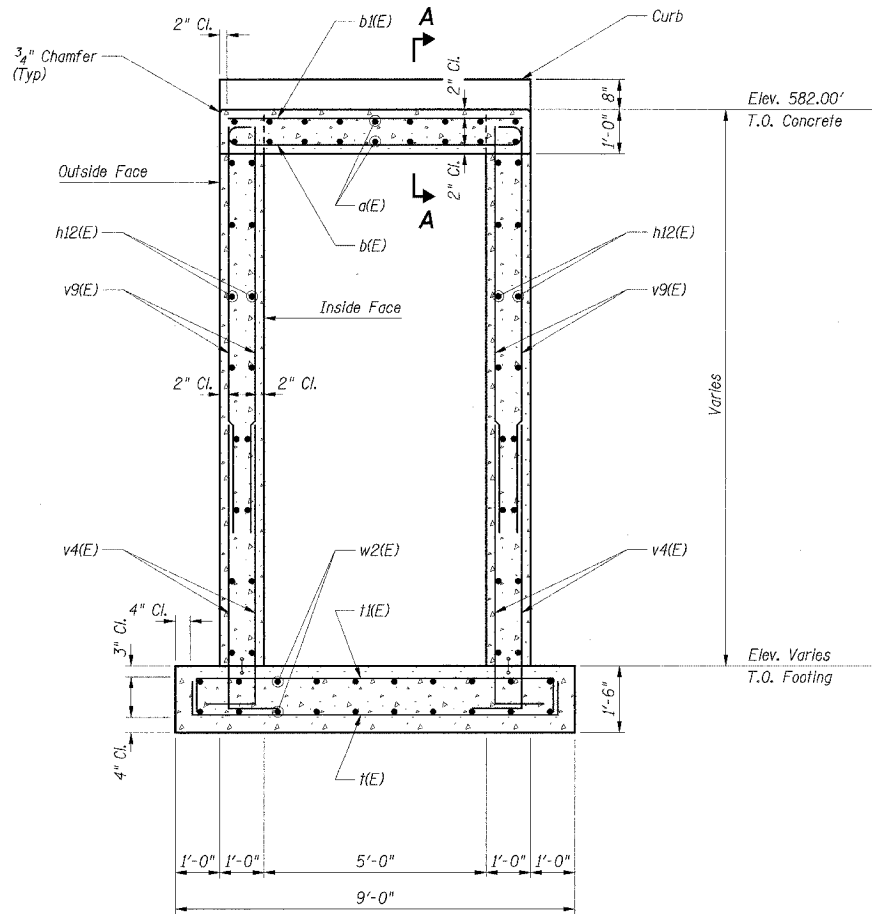
FRENCH DRAIN DETAIL
See Sheet S17, S18 of S19 for Locations



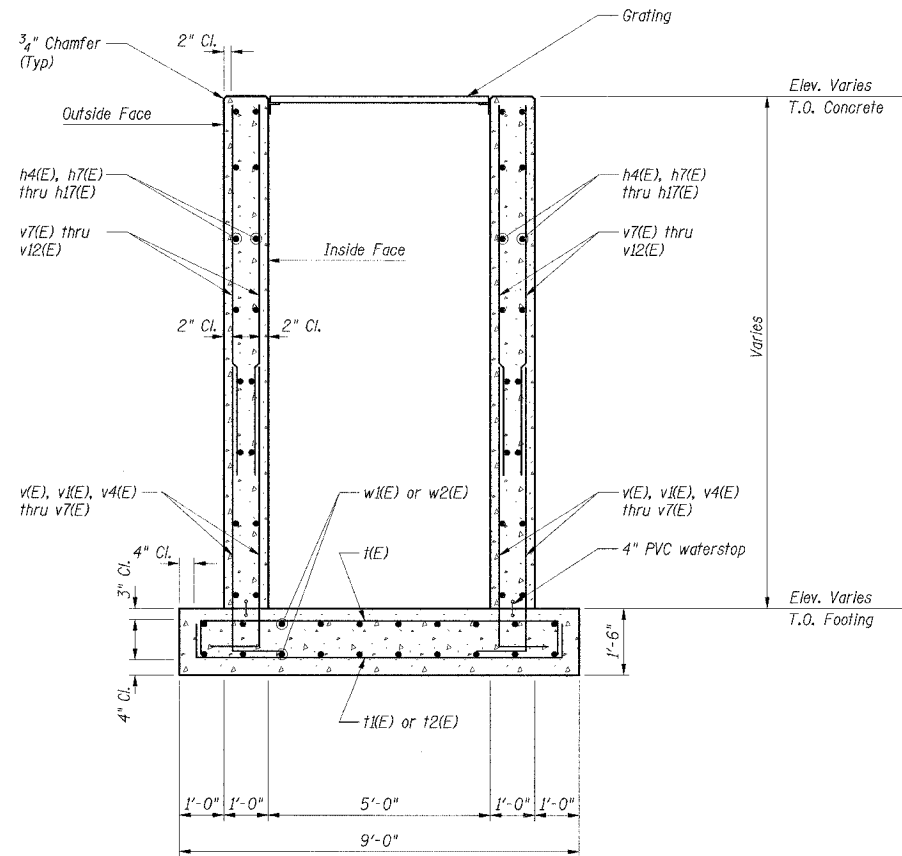
DRAIN DETAIL

(Limits of Porous Granular Embankment, Sta. 41+43 to Sta. 42+07)

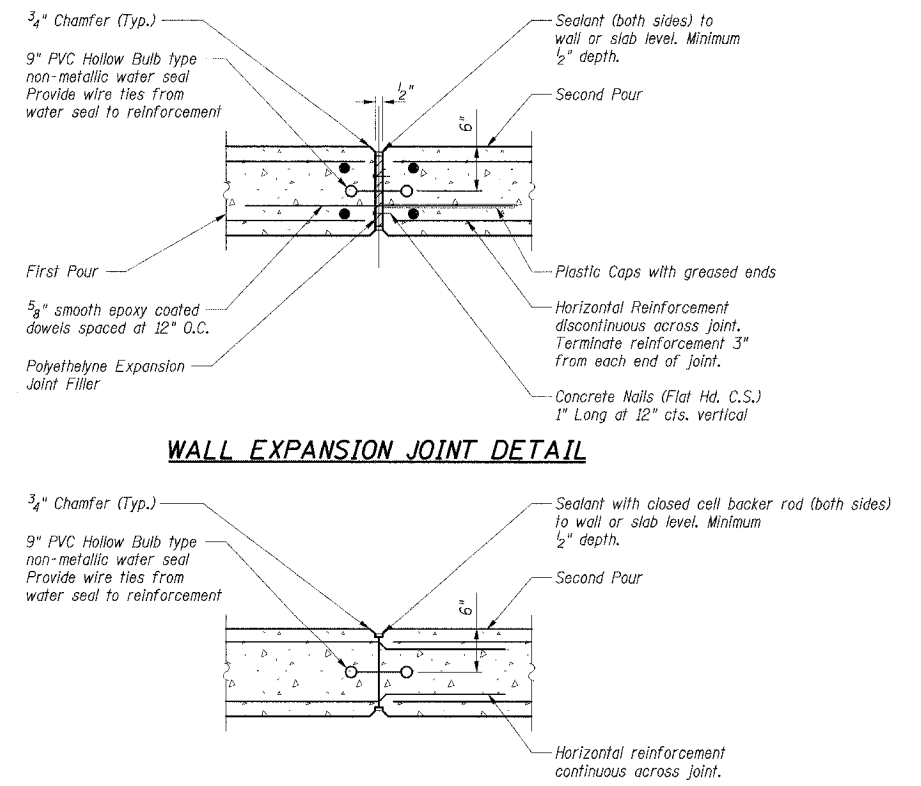
The Drain installation shall follow Article 601 of the Standard Specifications except that the trench will be filled with CA-5 or CA-7 coarse aggregate. The trench shall be lined with Geotechnical Fabric for Drains and have a 4" diameter drain pipe located near the base of the excavation. The cost of the Geotechnical Fabric and Drain Pipe is included with the pay item Porous Granular Embankment. At a minimum, the first five feet of trench backfill abutting the upstream end of the porous granular embankment, along the Denil Fish Ladder, shall be in accordance with the special provision "Impervious Backfill".



SECTION AT BRIDGE SLAB



TYPICAL SECTION



WALL EXPANSION JOINT DETAIL

WALL CONSTRUCTION JOINT DETAIL

The cost to furnish and install waterstops, sealant, backer rod, joint material and concrete nails shall be included in pay item Concrete Structures.

Designed by MEF Checked by BGC
 Drawn by NDD Checked by BGC
 User: mlf/10/2005 05:35:30 PM
 H:\Projects\Projects\Yorkville\Shear Plans\4.dwg