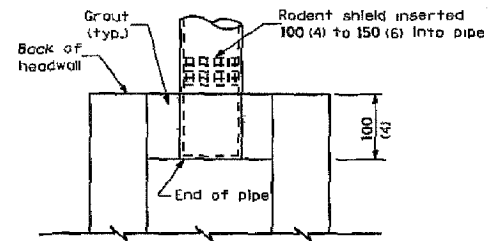
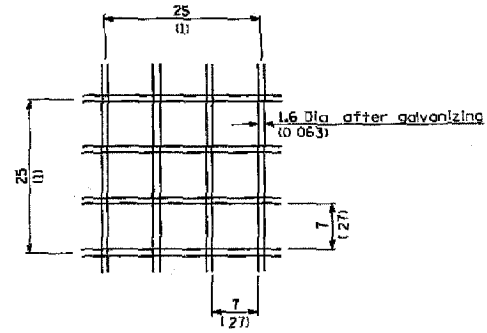


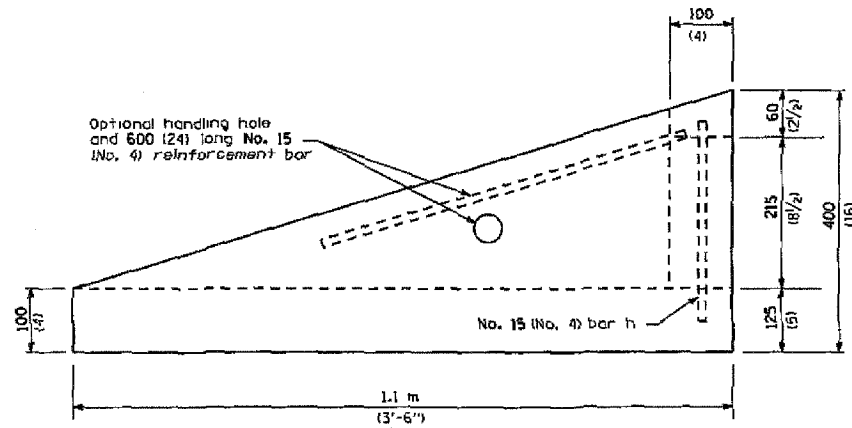
FRONT VIEW



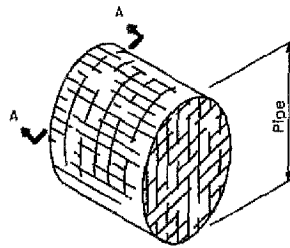
RODENT SHIELD PLACEMENT



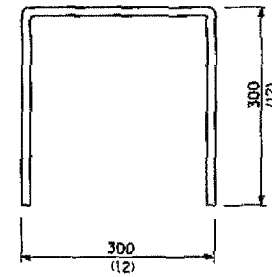
SECTION A-A



SIDE VIEW



DETAIL OF RODENT SHIELD



BAR h

CONCRETE HEADWALL FOR PIPE DRAIN

S:\DOCUMENT\02348801\CIVIL\DGN\STD000YL.DGN

DRAGASMZ
1-13-2005
11:43:21

Designed By _____
Checked By _____
Drawn By _____
Checked By _____