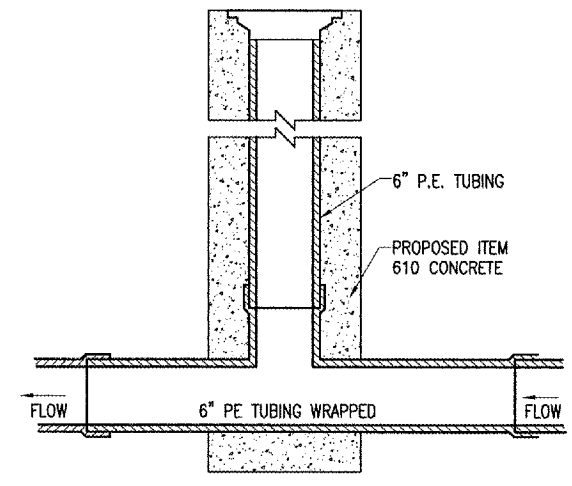


CAST IRON FRAME AND COVER

NEENAH R-6013, DEETER 1810,
EAST JORDAN 2790-6 OR
APPROVED EQUAL



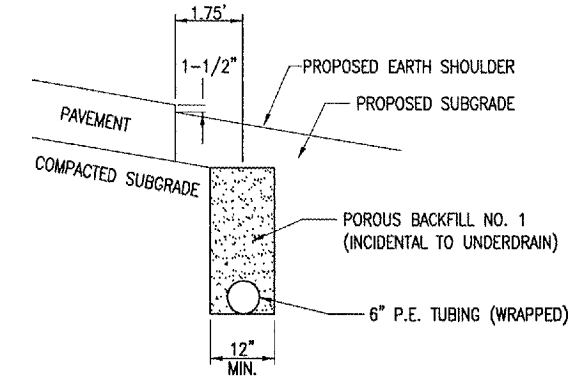
INSPECTION HOLE-TYPE B

INSPECTION HOLE NOTES

DIAMETER OF PIPE AS SPECIFIED.
TOP OF INSPECTION HOLES SHALL BE 2" ABOVE FINISH GROUND LINE AT LOCATION SHOWN ON PLANS.
1/2" CHAMFER TO BE USED ON ALL EXPOSED EDGES OF INSPECTION HOLES.
THE CONCRETE SHALL BE STRUCTURAL PORTLAND CEMENT CONCRETE (NON-REINFORCED).
THE PROPOSED UNDERDRAIN INSPECTION HOLES WILL BE PAID FOR UNDER ITEM AR705530 UNDERDRAIN INSPECTION HOLE _____ 5 EACH.

POROUS BACKFILL NOTES

THE QUANTITY OF POROUS BACKFILL WAS CALCULATED USING AN AVERAGE DEPTH OF 36" AND AVERAGE WIDTH OF 18". THE MINIMUM TRENCH WIDTH IS 12".



UNDERDRAIN DETAIL
NOT TO SCALE

705-UNDERDRAIN NOTES:

THE PROPOSED UNDERDRAIN PIPE WILL BE CONSTRUCTED IN ACCORDANCE WITH ITEM 705 "PIPE UNDERDRAINS FOR AIRPORTS" AS STATED ON PAGE 109 OF THE SUPPLEMENTAL SPECIFICATIONS AND RECURRING SPECIAL PROVISIONS, ADOPTED JULY 1, 2004.

THIS ITEM OF WORK SHALL CONSIST OF FURNISHING AND INSTALLING 6" P.E. TUBING (WRAPPED) AND UNDERDRAIN INSPECTION HOLES AT THE LOCATIONS AND TO THE GRADES SHOWN ON THE CONSTRUCTION PLANS.

705-3.3 LAYING AND INSTALLING PIPE. REVISE THIS SECTION AS FOLLOWS:

"PIPE DRAINS SHALL BE INSTALLED AT THE LOCATIONS SHOWN ON THE PLANS OR AS DIRECTED BY THE RESIDENT ENGINEER. THE PIPE SHALL BE BEDDED IN THE UNDERLYING MATERIAL TO A DEPTH NOT LESS THAN 10 PERCENT OF THE EXTERNAL DIAMETER OF THE PIPE, AND WHERE TRENCHING IS REQUIRED, THE TRENCH SHALL HAVE A WIDTH OF NOT LESS 12 IN. THE BOTTOM OF THE TRENCH SHALL BE COMPACTED IN A MANNER MEETING THE APPROVAL OF THE ENGINEER.

JOINTS AND FITTINGS MAY BE ASSEMBLED WITHOUT GASKETS OR SOLVENT CEMENT IF THE JOINT IS SAND TIGHT AND THE SPIGOT ENTERS THE SOCKET NOT LESS THAN 1/3 OF THE SOCKET DEPTH FOR SOLVENT CEMENT JOINTS AND FULL-DEPTH FOR ELASTOMERIC GASKET JOINTS.

NO PIPE SHALL BE PLACED IN THE TRENCH UNTIL IT AND THE PREPARED FOUNDATION HAVE BEEN APPROVED BY THE RESIDENT ENGINEER. THE PIPE SHALL BE LAID SO THAT THE FLOWLINE WILL BE AT THE GRADE SHOWN ON THE PLANS OR ESTABLISHED BY THE RESIDENT ENGINEER. THE PERMISSIBLE MINIMUM COVER OVER A PIPE SHALL BE 6 IN.

LAYING OF PIPES SHALL COMMENCE AT THE OUTLET END AND PROCEED TOWARD THE INLET END WITH THE PIPES TRUE TO LINE AND GRADE.

THE ENDS OF THE PIPE SHALL BE CAREFULLY CLEANED BEFORE THEY ARE PLACED, AND SHALL BE PLACED TO AVOID UNNECESSARY HANDLING ON THE FOUNDATION. AS EACH LENGTH OF PIPE IS LAID, THE ENDS OF THE PIPE SHALL BE PROTECTED TO PREVENT THE ENTRANCE OF ANY MATERIAL.

LONGITUDINAL LAPS SHALL BE PLACED AT THE SIDES AND SEPARATE SECTIONS OF PIPE SHALL BE JOINED WITH TIGHTLY-DRAWN, APPROVED CONNECTING BANDS.

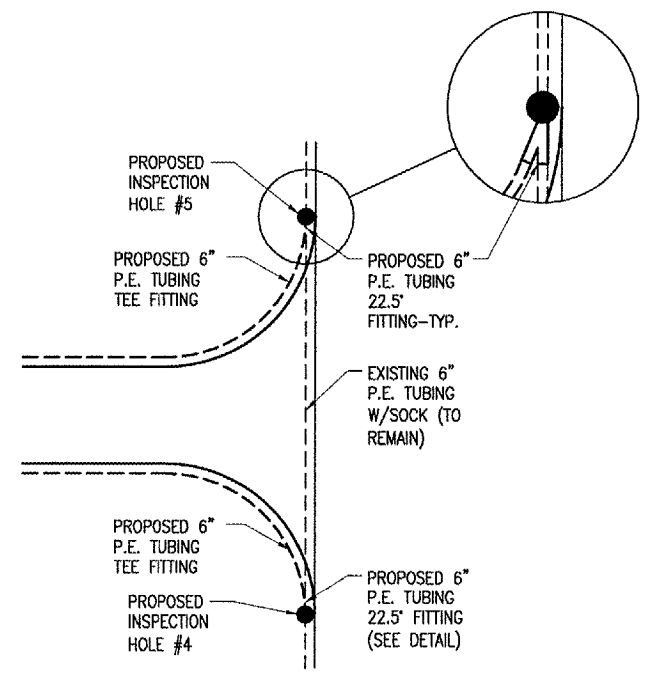
THE TRENCH SHALL BE BACKFILLED WITH SELECT MATERIAL, MEETING THE APPROVAL OF THE ENGINEER, PLACED IN 8 IN. LAYERS, LOOSE MEASUREMENT, AND COMPACTED TO THE ENGINEER'S SATISFACTION."

705-3.6 BACKFILLING; ADD THE FOLLOWING TO THIS SECTION:

"THE EDGE DRAIN TRENCH WILL BE BACKFILLED WITH POROUS BACKFILL IDOT (CA-14 OR CA-16) IN ACCORDANCE WITH THE DETAIL ON THE CONSTRUCTION PLANS. THE POROUS BACKFILL WILL BE COMPACTED TO THE SATISFACTION OF THE RESIDENT ENGINEER.

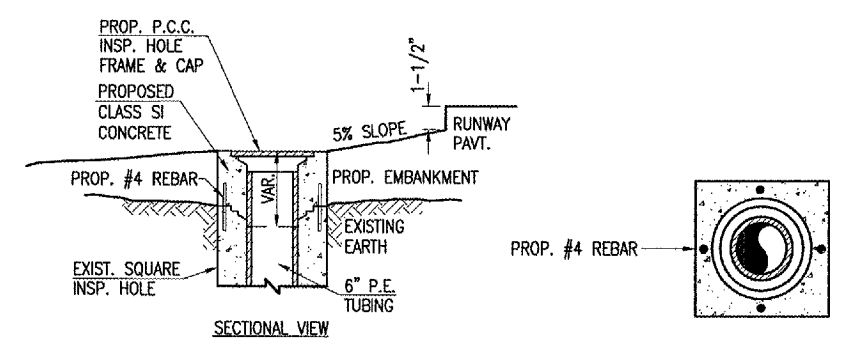
THE PROPOSED UNDERDRAIN PIPE WILL BE PAID FOR UNDER ITEM: AR705526 6" PERFORATED UNDERDRAIN W/SOCK _____ 1,339 L.F.

THE PROPOSED POROUS BACKFILL WILL BE PAID FOR UNDER ITEM: AR705410 POROUS BACKFILL _____ 224 C.Y.

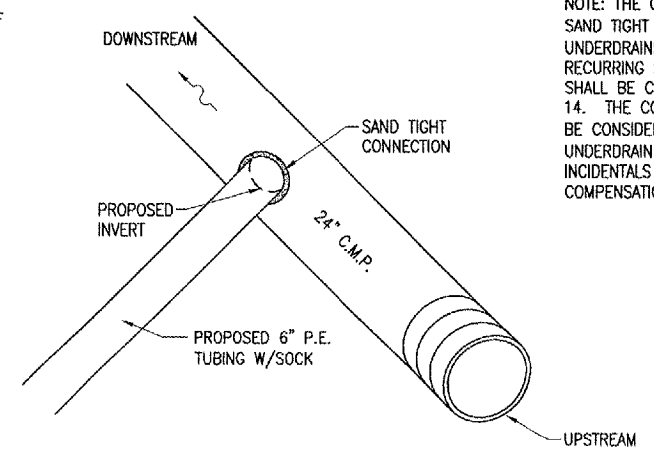


PROPOSED RECONNECTION DETAIL
NOT TO SCALE

NOTE: THE RECONNECTION OF THE UNDERDRAIN SHOWN IN THE DETAIL ABOVE SHALL USE STANDARD PE TUBING FITTINGS. THE CONNECTION OF THE FITTINGS WILL BE IN ACCORDANCE WITH ITEM 705 "PIPE UNDERDRAINS FOR AIRPORTS" INCLUDED IN THE SUPPLEMENTAL AND RECURRING SPECIAL PROVISIONS DATED JULY 1, 2004. THE RECONNECTION OF THE UNDERDRAIN SHALL BE CONSIDERED INCIDENTAL TO ITEM AR70526 - 6" PERFORATED UNDERDRAIN W/SOCK, INCLUDING ALL LABOR, MATERIALS, AND INCIDENTALS NECESSARY TO COMPLETE THE TASK, AND NO ADDITIONAL COMPENSATION WILL BE ALLOWED.



INSPECTION HOLE ADJUSTMENT DETAIL
"NOT TO SCALE"



DISCHARGE INTO C.M.P. DETAIL
NOT TO SCALE

NOTE: THE CONNECTION OF THE UNDERDRAIN INTO THE 24" CMP WILL BE SAND TIGHT IN NATURE, IN ACCORDANCE WITH ITEM 705 "PIPE UNDERDRAINS FOR AIRPORTS" INCLUDED IN THE SUPPLEMENTAL AND RECURRING SPECIAL PROVISIONS DATED JULY 1, 2004. THE CONNECTION SHALL BE CONSTRUCTED TO THE INVERT ELEVATION SHOWN ON SHEET 14. THE CONNECTION OF THE UNDERDRAIN TO THE EXISTING CMP SHALL BE CONSIDERED INCIDENTAL TO ITEM AR70526 - 6" PERFORATED UNDERDRAIN W/SOCK, INCLUDING ALL LABOR, MATERIALS, AND INCIDENTALS NECESSARY TO COMPLETE THE TASK, AND NO ADDITIONAL COMPENSATION WILL BE ALLOWED.

BY	
REVISION	
DATE	

Kewanee Municipal Airport
Kewanee, Henry County, Illinois

IL PROJ.: E21-3533 A.I.P. PROJ.: 3-17-0058-810

HEL Project No.	810-067XXD.0800
Drawn	R-531DRN.DWG
Scale	N/A
Date	12/20/05
LAYOUT	RAW 12/20/05
DRAWN	BAK 12/20/05
REVIEWED	CAH xx/xx/xx



OVERLAY TXY & APRON
CONSTRUCT VAULT
UNDERDRAIN
NOTES AND DETAILS

JAN 18, 2006 10:16 PM RAW I:\AIRPORTS\KEWANEE\810-067XXD\AIRPORT\SHEETS\R-531DRN.DWG - UNDERDRAIN DETAILS