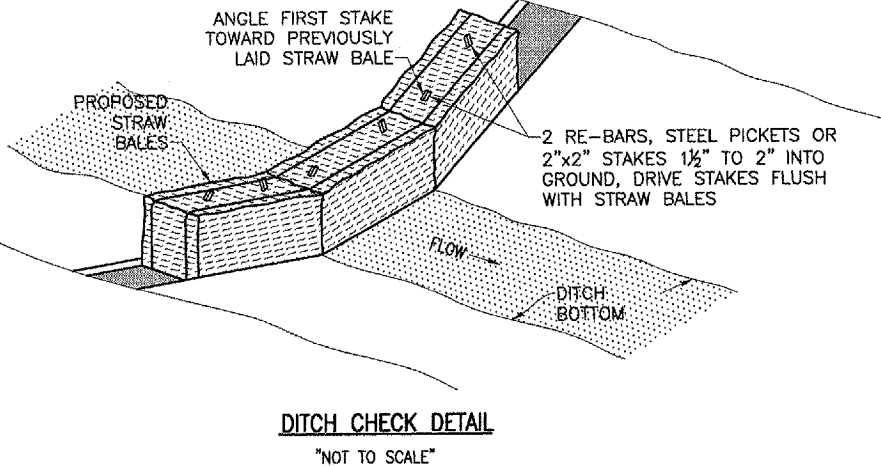
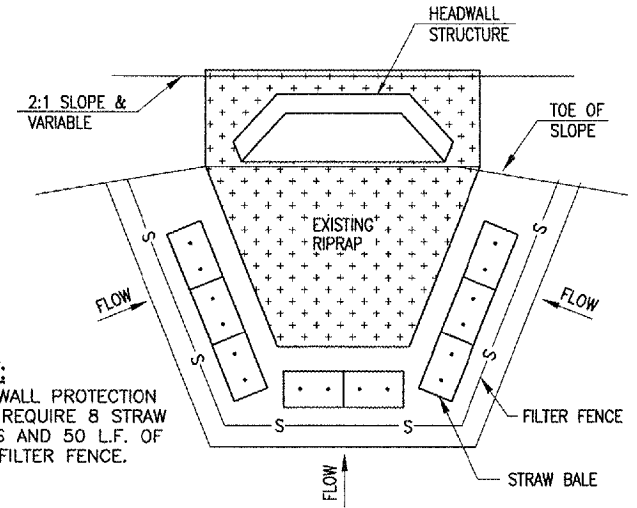


**INLET PROTECTION DETAIL**  
"NOT TO SCALE"



**DITCH CHECK DETAIL**  
"NOT TO SCALE"



**HEADWALL STRUCTURE PROTECTION**  
"NOT TO SCALE"

EROSION CONTROL QUANTITIES			
ITEM NO.	DESCRIPTION	UNIT	QUANTITY
AR156510	SILT FENCE	L.F.	100
AR156511	DITCH CHECK	EA.	2
AR156512	BALES	EA.	16
AR156520	INLET PROTECTION	EA.	3

**NOTE:**  
HEADWALL PROTECTION WILL REQUIRE 8 STRAW BALES AND 50 L.F. OF SILT FILTER FENCE.

**EROSION CONTROL NOTES**

ALL EROSION CONTROL MEASURES WILL BE PLACED PRIOR TO ANY DISRUPTION OF THE EXISTING SOD AREAS OR THE PLACEMENT OF TOPSOIL FROM OFF SITE.

ALL PROPOSED EROSION CONTROL MEASURES SHALL BE COMPLETED AS DETAILED ON THIS EROSION CONTROL PLAN AND IN ACCORDANCE WITH THE SPECIFICATIONS.

EROSION CONTROL MEASURES ARE GOVERNED BY THE ILLINOIS ENVIRONMENTAL PROTECTION AGENCY'S STANDARDS AND SPECIFICATIONS FOR SOIL EROSIONS AND SPECIFICATION FOR SOIL EROSIONS AND SEDIMENT CONTROL.

SILT FENCE WILL BE USED FOR INLET PROTECTION AS SHOWN ON THIS SHEET.

THE PROPOSED INLET PROTECTION WILL BE PLACED AT THE LOCATIONS SHOWN ON THIS SHEET.

INSPECTION OF THE INLET PROTECTION SHALL BE FREQUENT AND REPAIR/REPLACEMENT SHALL BE MADE PROMPTLY AS NEEDED. ANY REPAIR/REPLACEMENT MADE WILL BE CONSIDERED INCIDENTAL AND NO ADDITIONAL COMPENSATION WILL BE ALLOWED.

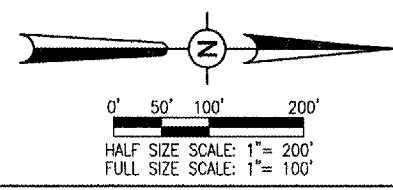
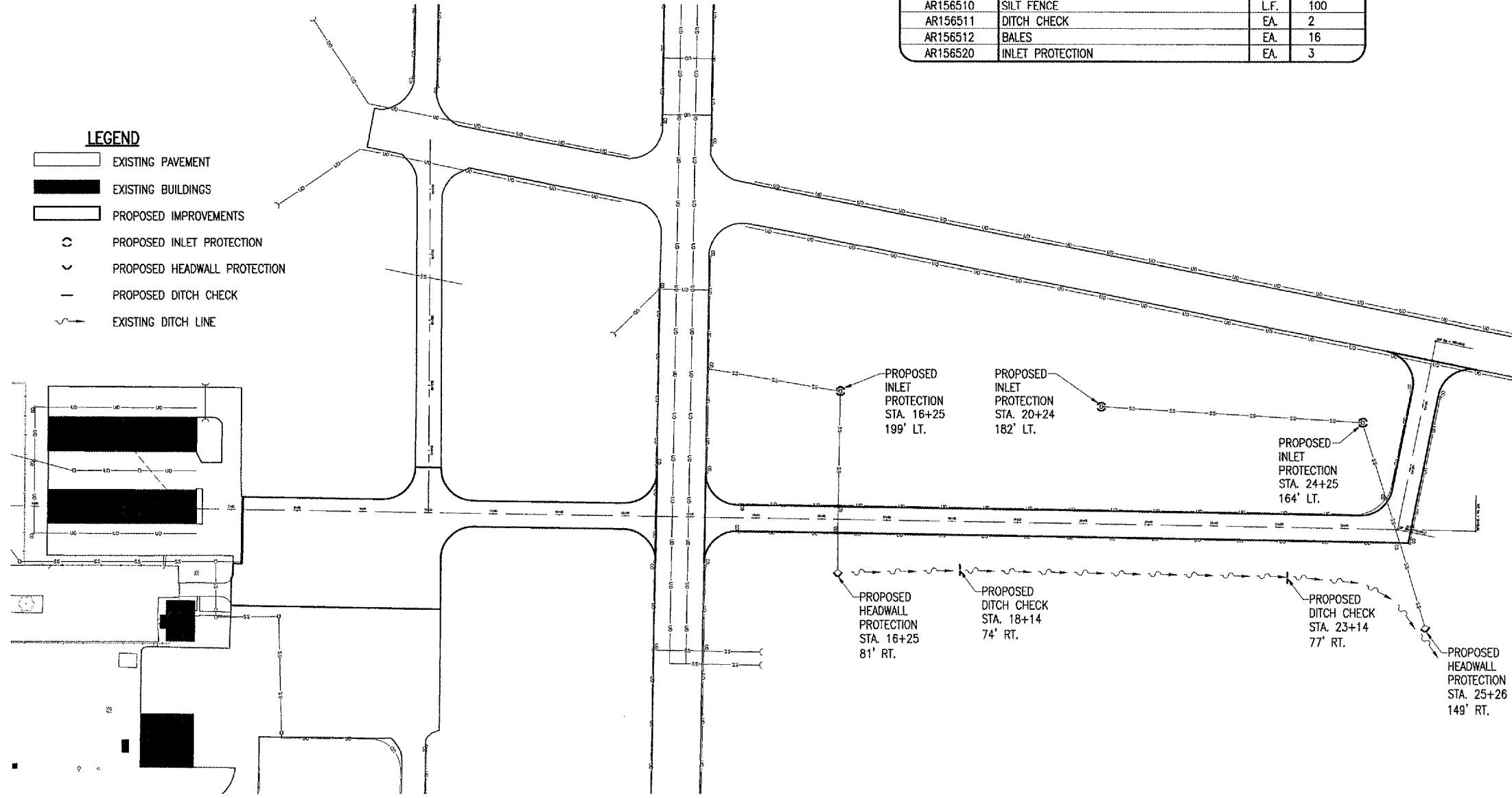
INLET PROTECTION IS TO INCLUDE ALL INCIDENTALS NECESSARY TO CONSTRUCT THESE ITEMS AND WILL BE PAID FOR UNDER ITEM: AR156520 INLET PROTECTION 3 EACH.

HEADWALL PROTECTION WILL CONSIST OF SILT FENCE AND STRAW BALES. EACH PROTECTION LOCATION WILL BE CONSTRUCTED AS SHOWN ON THIS SHEET AND SHALL CONSIST OF 8 STRAW BALES AND 50 L.F. OF SILT FENCE. THE HEADWALL PROTECTION IS TO INCLUDE ALL INCIDENTALS NECESSARY TO COMPLETE THE INSTALLATION. THE HEADWALL PROTECTION WILL BE PAID FOR UNDER ITEMS:  
AR156510 SILT FENCE 100 L.F.  
AR156512 BALES 16 EACH

THE PROPOSED DITCH CHECKS WILL BE CONSTRUCTED AS SHOWN ON THIS SHEET AND SHALL CONSIST OF A MINIMUM OF 3 BALES PER LOCATION. THE DITCH CHECKS WILL INCLUDE ALL INCIDENTALS NECESSARY TO COMPLETE THE ITEM AND WILL BE PAID FOR UNDER ITEM: AR156511 DITCH CHECK 2 EACH

**LEGEND**

- EXISTING PAVEMENT
- EXISTING BUILDINGS
- PROPOSED IMPROVEMENTS
- PROPOSED INLET PROTECTION
- PROPOSED HEADWALL PROTECTION
- PROPOSED DITCH CHECK
- EXISTING DITCH LINE



DATE	REVISION	BY

Kewanee Municipal Airport  
Kewanee, Henry County, Illinois

A.I.P. PROJ.: 3-17-0058-B10  
I.L. PROJ.: E21-3533

HD Project No. 810-06TXD.0800	09/08/05
Drawings R-181SWP.DWG	09/08/05
Scale 1"=100'	09/08/05
Date 09/08/05	xx/xx/xx
LAYOUT	R.A.W.
DRAWN	B.A.K.
REVIEWED	C.A.H.

**HANSON**  
Hanson Professional Services Inc.  
3125 Dandy Trail, Suite 100  
Indianapolis, Indiana 46214  
Offices Nationwide

OVERLAY TXY & APRON  
CONSTRUCT VAULT  
PROPOSED  
STORMWATER POLLUTION  
PREVENTION PLAN

JAN 18, 2006 10:22 PM RAW  
I:\AIRPORTS\KEWANEE\810-06TXD\AIRPORT\SHEETS\R-181SWP.DWG -- Layout1