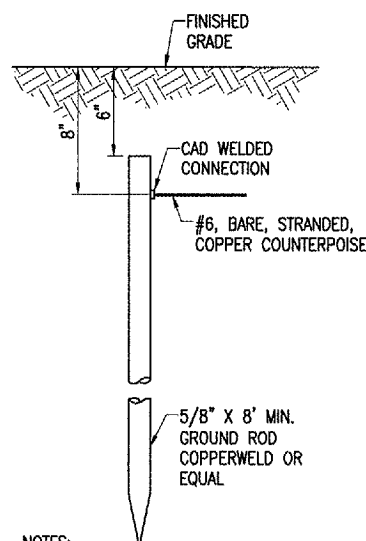


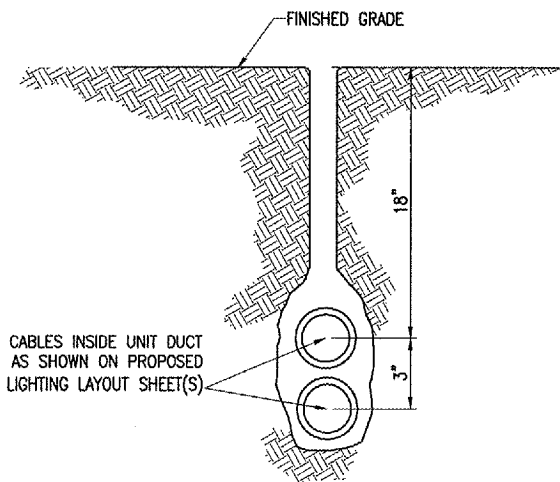
NOTES:
 DETAIL NUMBERS INDICATE NO. OF CABLES.
 TRENCHES WITH MORE THAN SEVEN CABLES SHALL BE INCREASED 3" IN WIDTH FOR EACH ADDITIONAL CABLE; IF SPECIFIED ON PLANS TWO PARALLEL TRENCHES MAY BE CONSTRUCTED.
 DEPTH OF TRENCHES SHALL BE AS SHOWN ABOVE UNLESS OTHERWISE SPECIFIED ON THE PLANS.
 ALL DISTURBED SURFACES SHALL BE RESTORED TO THEIR ORIGINAL CONDITION. COST IS INCIDENTAL TO TRENCH.

CABLE TRENCHES
 (NOT TO SCALE)



NOTES:
 TYPE AND MINIMUM NUMBER OF GROUND RODS SHALL BE AS SPECIFIED ON THE PLAN.
 THE RESISTANCE TO GROUND OF THE COUNTERPOISE GROUNDING SYSTEM SHALL NOT EXCEED 25 OHMS.
 COST OF GROUND RODS IS INCIDENTAL TO THE ASSOCIATED ITEMS REQUIRING GROUNDING UNLESS OTHERWISE SPECIFIED.

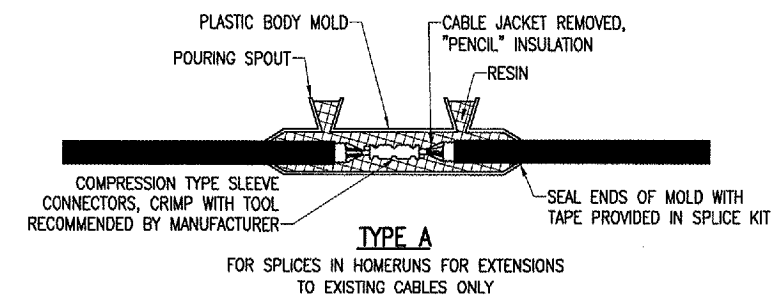
GROUND ROD
 (NOT TO SCALE)



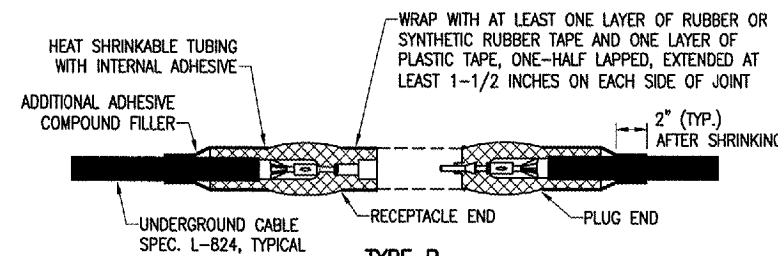
CABLES INSIDE UNIT DUCT AS SHOWN ON PROPOSED LIGHTING LAYOUT SHEET(S)

PLOWED CABLE
 (NOT TO SCALE)

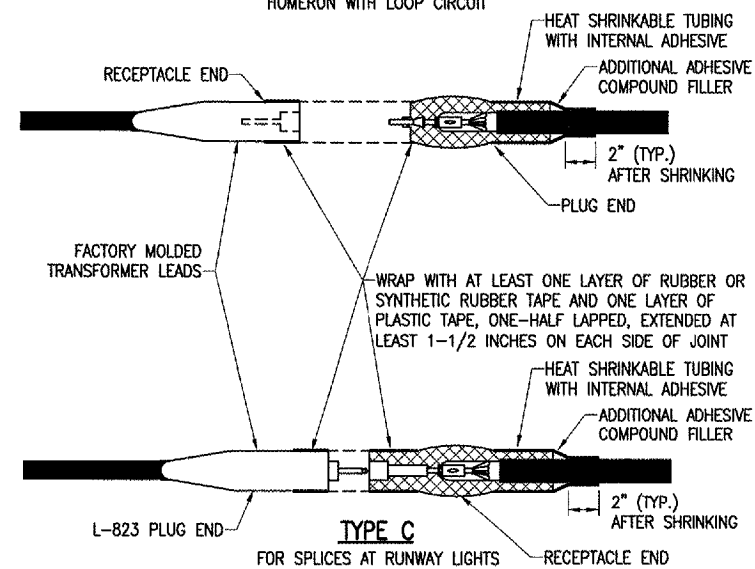
EARTH BACKFILL WILL HAVE MAXIMUM 1" SIZE PARTICLES AND WILL BE PLACED IN TWO LIFTS AS APPROXIMATELY SHOWN (TYPICAL FOR ALL TRENCHES)



TYPE A
 FOR SPLICES IN HOMERUNS FOR EXTENSIONS TO EXISTING CABLES ONLY



TYPE B
 FOR SPLICES AT JUNCTION OF HOMERUN WITH LOOP CIRCUIT



TYPE C
 FOR SPLICES AT RUNWAY LIGHTS

NOTES:
 SEE PROPOSED LIGHTING LAYOUT SHEET(S) FOR SPLICE TYPE.

INSIDE DIAMETER OF CONNECTOR SHALL PROPERLY MATCH THE OUTSIDE DIAMETER OF CABLE.

CABLE SPLICES
 (NOT TO SCALE)

THE LOCATION OF UNDERGROUND UTILITIES AS INDICATED ON THE PLANS HAS BEEN OBTAINED FROM EXISTING RECORDS. NEITHER THE OWNER NOR THE ENGINEER ASSUMES ANY RESPONSIBILITY WHATSOEVER, IN RESPECT TO THE ACCURACY OR SUFFICIENCY OF THE INFORMATION AND THERE IS NO GUARANTEE, EITHER EXPRESSED OR IMPLIED, THAT THE CONDITIONS ARE REPRESENTATIVE OF THOSE TO BE ENCOUNTERED IN THE CONSTRUCTION.

BY	
REVISION	
DATE	

MT. VERNON AIRPORT

 MT. VERNON, ILLINOIS
 I.L. PROJ.: MWV-3539 A.I.P. PROJ.: 3-17-0074-B12

HEL Project No.: 819-06RWYD	Scale: N/A	Date: 08/16/05
Plan Name: R-541ELE.DWG	Scale: N/A	Date: 08/16/05
LAYOUT	CCC	08/16/05
DRAWN	CCC	08/16/05
REVIEWED	RAW	12/12/05

HANSON
 Hanson Professional Services Inc.
 1525 South Sixth Street
 Springfield, Illinois 62703-2886
 Offices Nationwide

RUNWAY 15-33
 P.F.C. OVERLAY
 ELECTRICAL DETAILS

JAN 19, 2006 8:32 PM RAW
 I:\AIRPORTS\MV\VERNON\819-06RWYD\AIRPORT\SHEETS\R-541ELE.DWG - ELEC. DETAILS 2