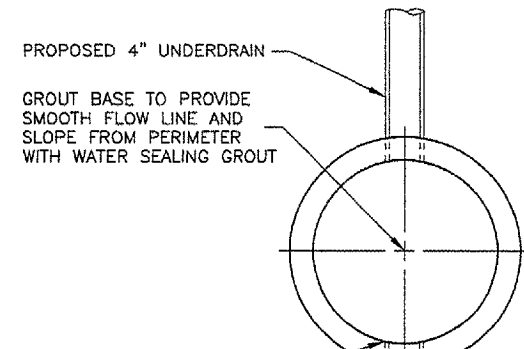


SIDE VIEW

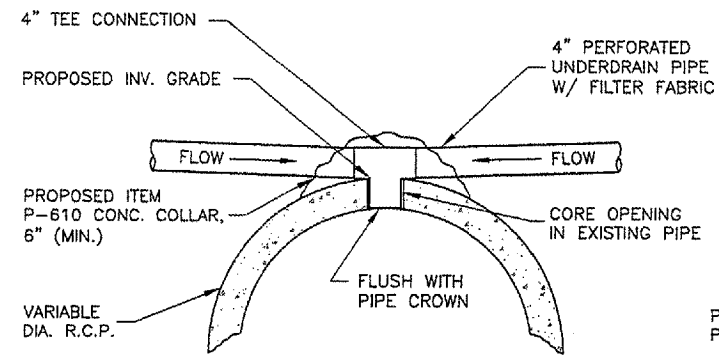
UNDERDRAIN CLEAN-OUT DETAIL - TYPE 1

N.T.S.



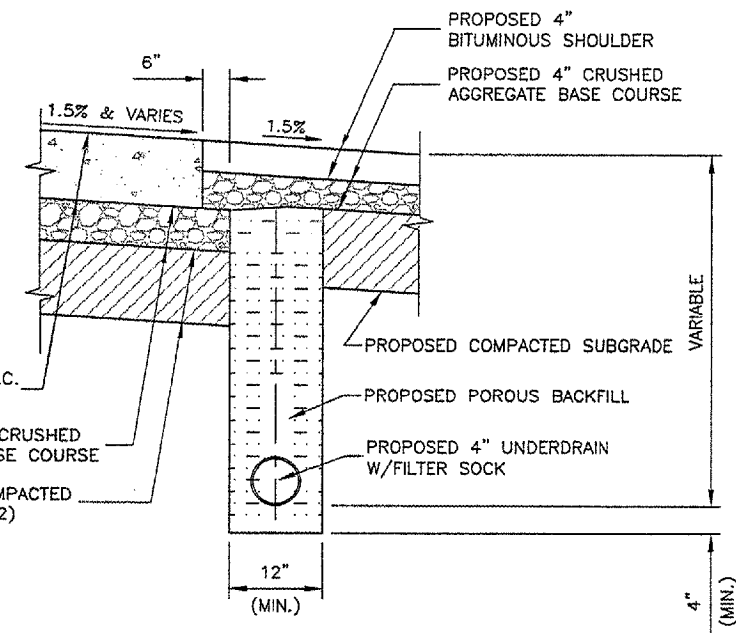
PLAN

PROVIDE WATERTIGHT SEAL AT PIPE CONNECTIONS WITH WATER SEALING GROUT



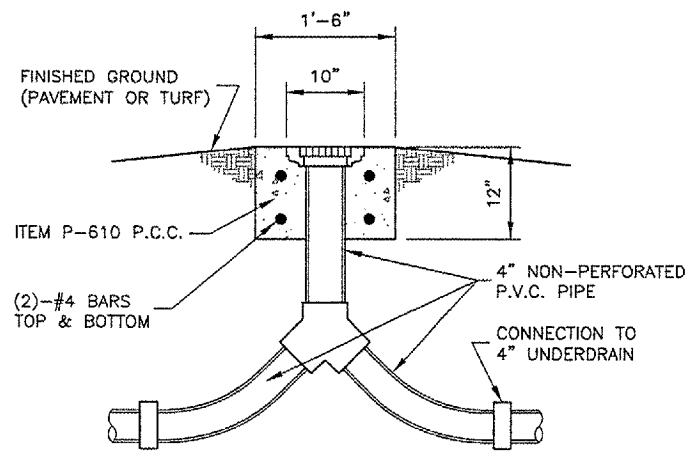
UNDERDRAIN DIRECT TOP CONNECTION DETAIL

N.T.S.



**TYPICAL UNDERDRAIN DETAIL
EDGE OF PAVEMENT**

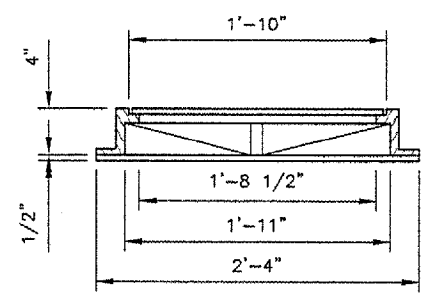
N.T.S.



SIDE VIEW

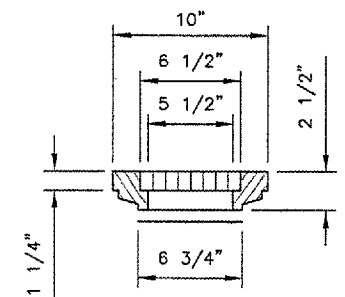
UNDERDRAIN CLEAN-OUT DETAIL - TYPE 2

N.T.S.



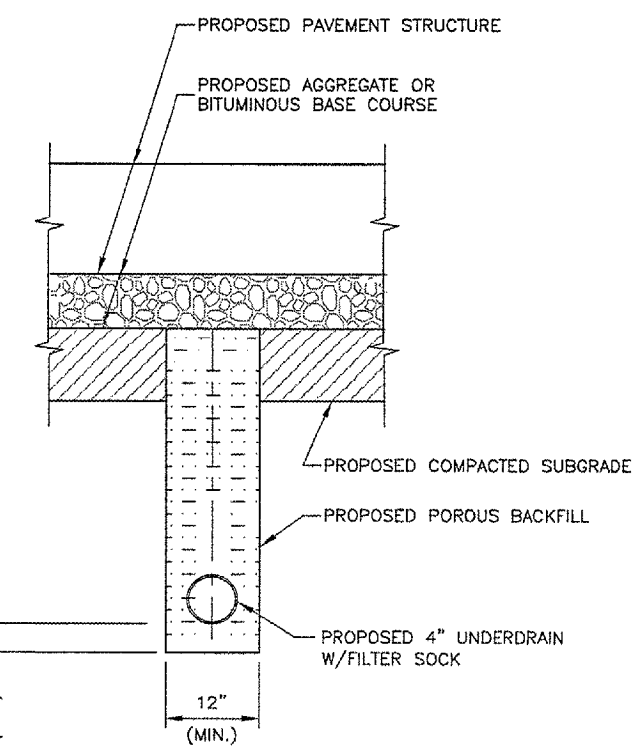
FRAME AND LID

CAST IRON FRAME & LID (SIMILAR TO NEENAH R-1690-A HEAVY DUTY OR APPROVED EQUAL)



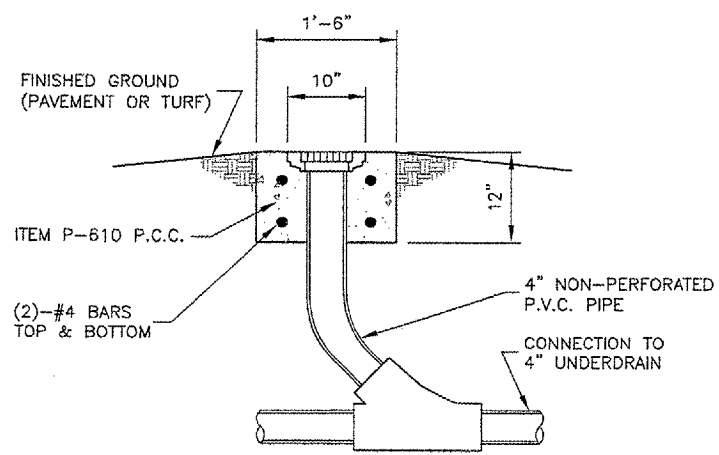
FRAME AND COVER

CAST IRON FRAME & COVER (SIMILAR TO NEENAH R-6013 OR APPROVED EQUAL)



**TYPICAL UNDERDRAIN DETAIL
BELOW PAVEMENT**

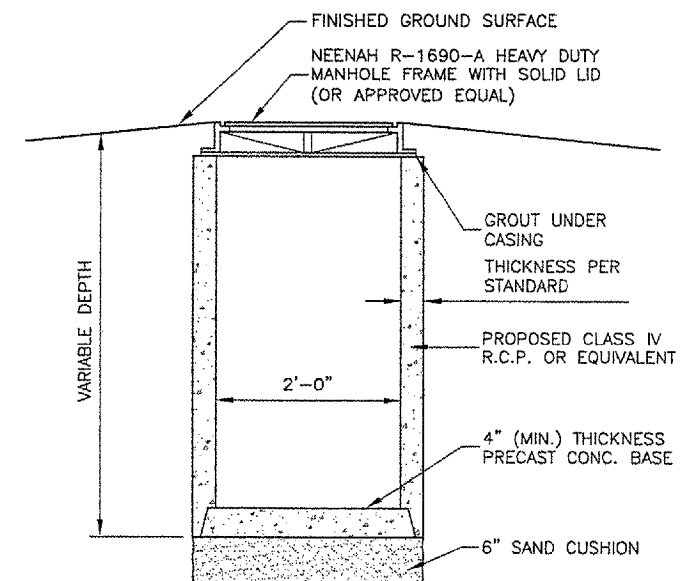
N.T.S.



SIDE VIEW

UNDERDRAIN CLEAN-OUT DETAIL - TYPE 3

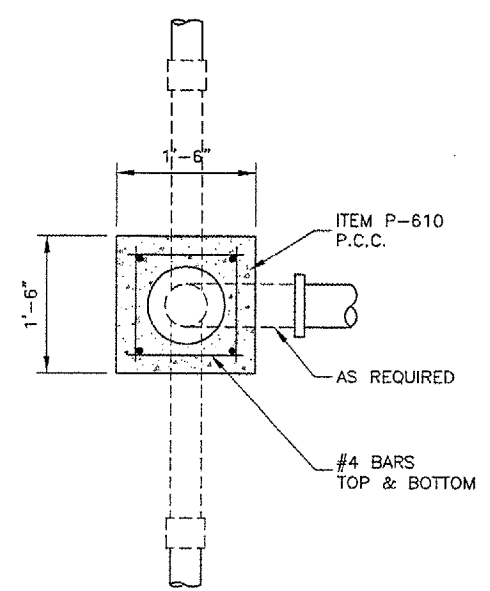
N.T.S.



SIDE VIEW

UNDERDRAIN COLLECTION STRUCTURE DETAIL

N.T.S.



PLAN

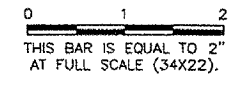
UNDERDRAIN CLEAN-OUT DETAILS

N.T.S.

NOTES

DURING UNDERDRAIN CONSTRUCTION, CARE SHALL BE TAKEN TO ENSURE GOOD DRAINAGE BETWEEN THE SUB-BASE AND THE POROUS BACKFILL MATERIAL WHICH WILL AFFECT DRAINAGE TO THE UNDERDRAIN SHALL BE REMOVED PRIOR TO THE PLACEMENT OF PROPOSED POROUS BACKFILL. ALL COST FOR THIS WORK SHALL BE CONSIDERED INCIDENTAL.

REVISIONS		
NUMBER	BY	DATE



VERMILION COUNTY AIRPORT
DANVILLE, ILLINOIS

EXTEND PARALLEL TAXIWAY 600 FEET

UNDERDRAIN DETAILS

© Copyright, CMT, Inc.

CMT
CRAWFORD, MURPHY & TILLY, INC.
CONSULTING ENGINEERS
License No. 184-00613

DESIGN BY:	JEF
DRAWN BY:	DPA
CHECKED BY:	SMH
APPROVED BY:	JEF
DATE:	01/13/2006
JOB No:	05042-0300
ILLINOIS PROJECT DNV-3537	
A.I.P. PROJECT 3-17-0032-B10	
SHEET	12 OF 28 SHEETS