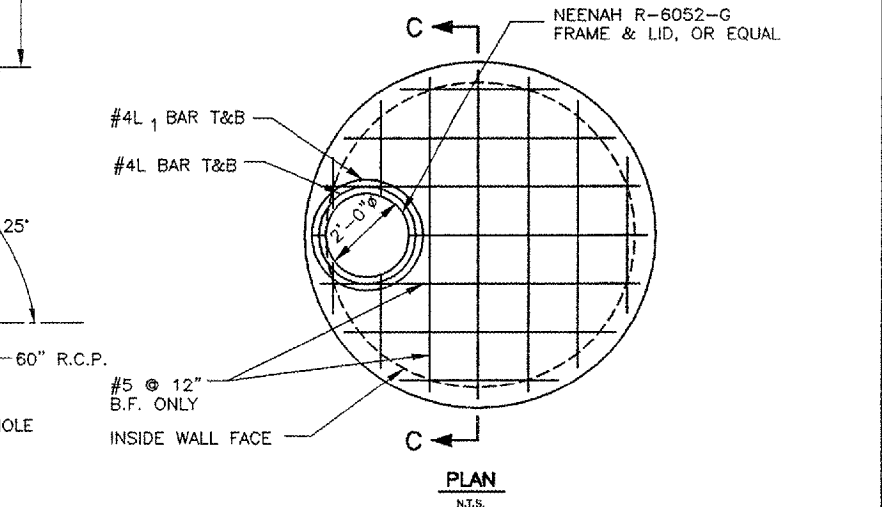
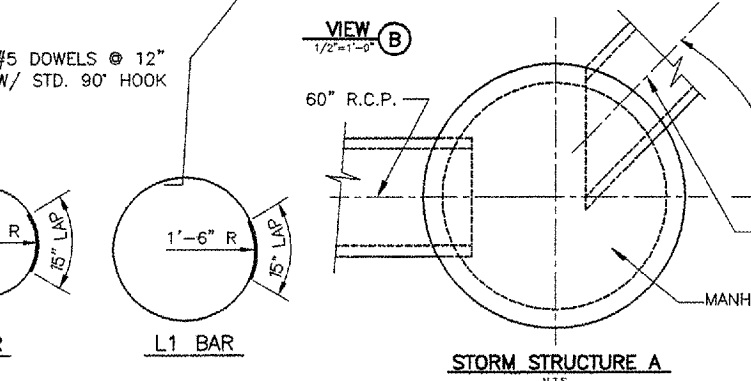
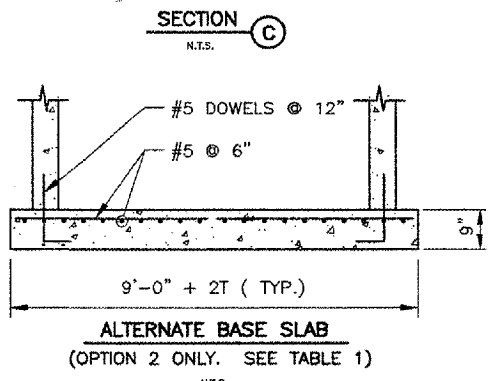
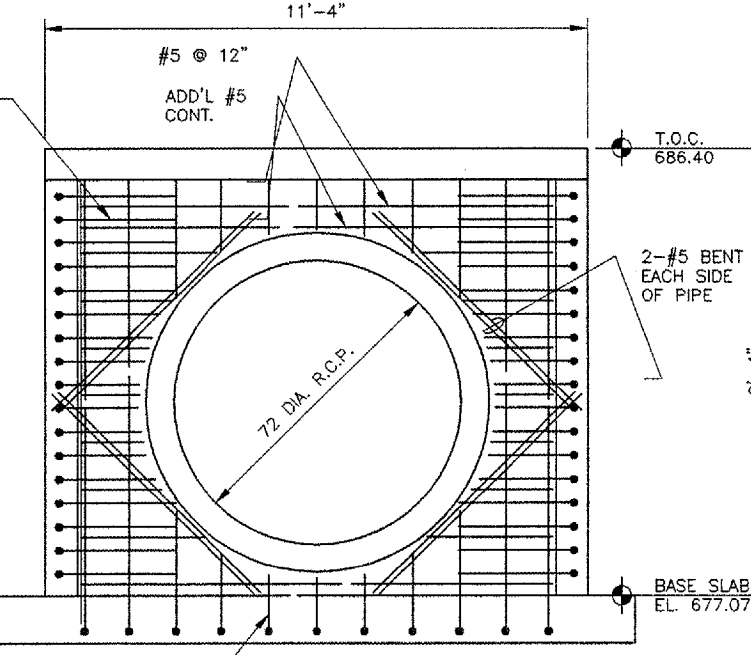
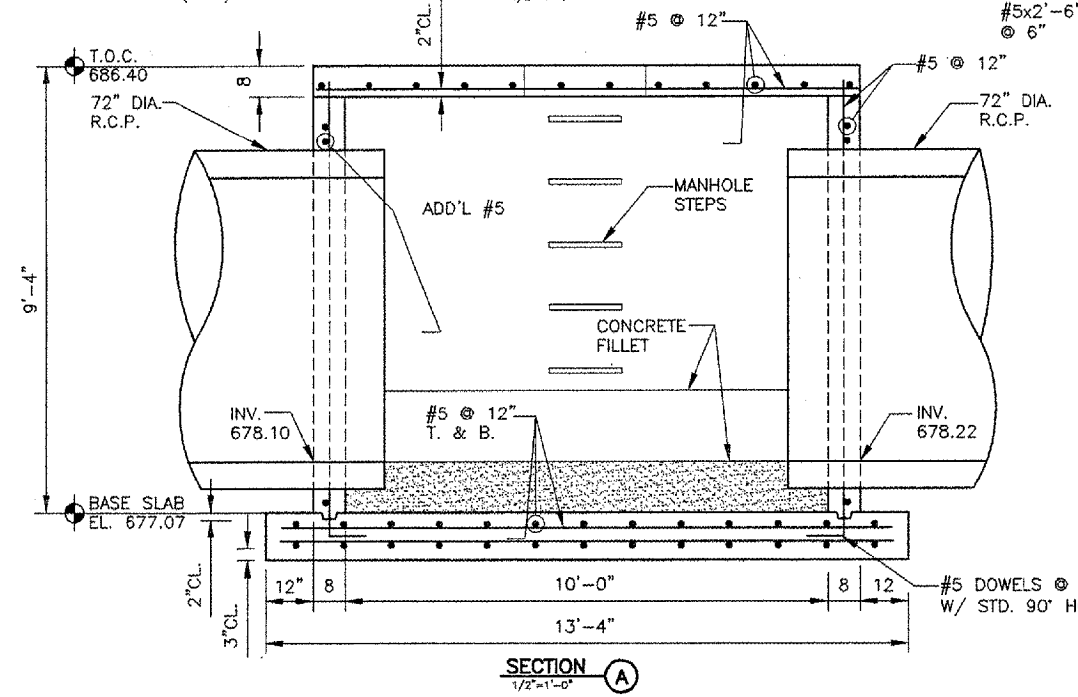
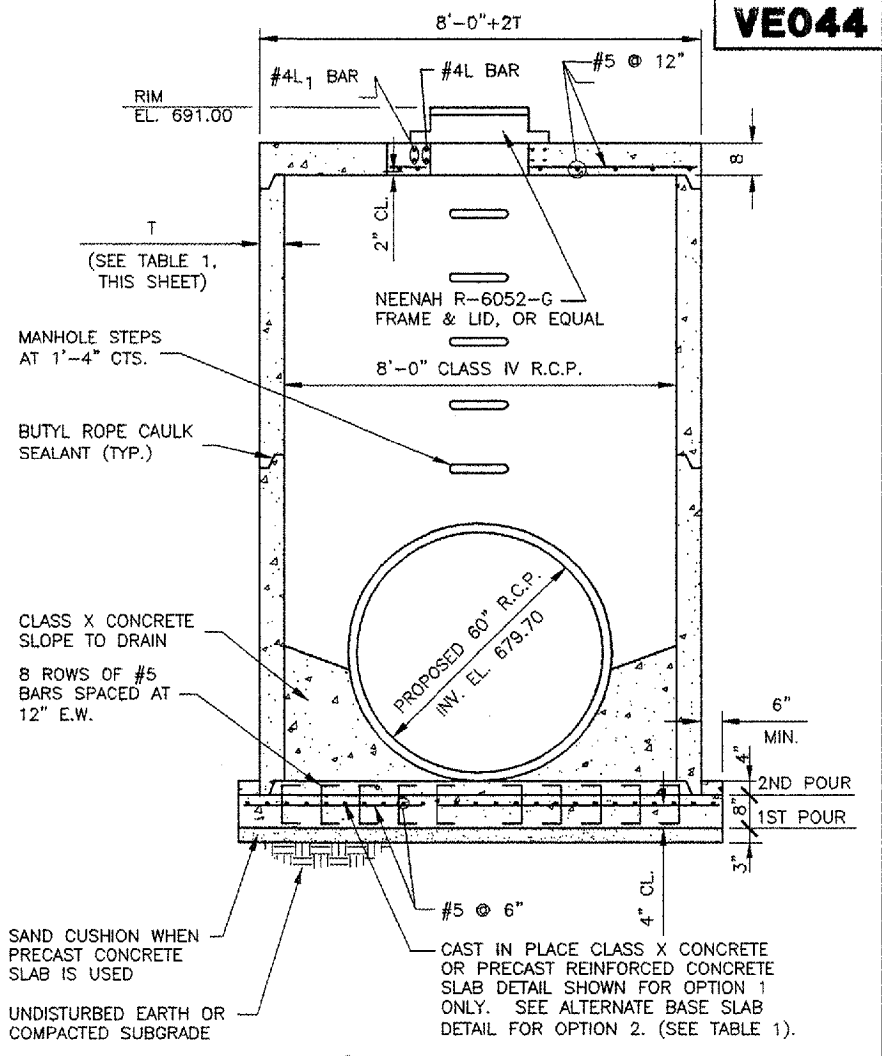
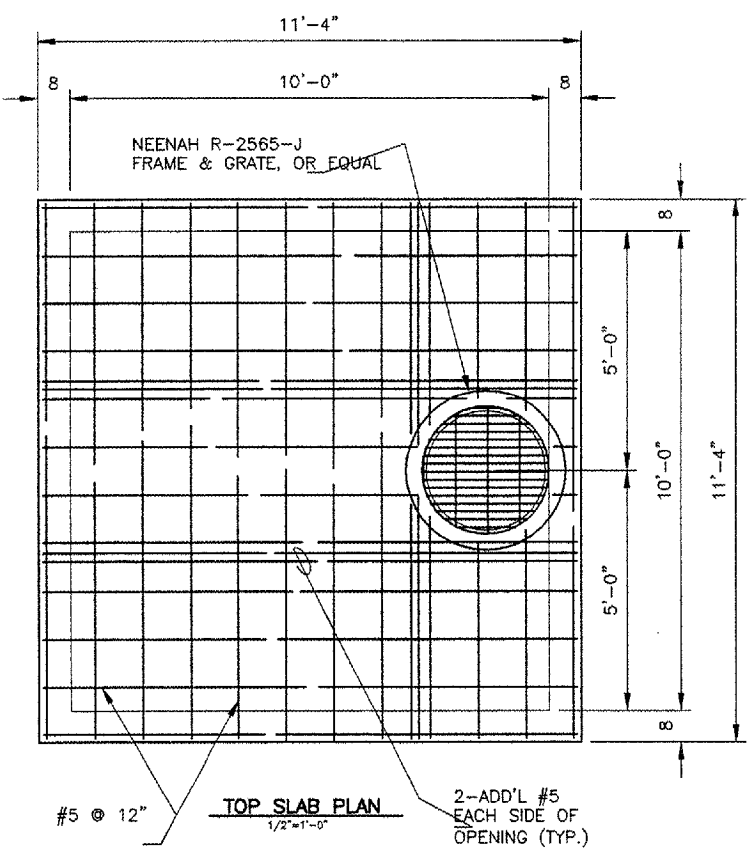
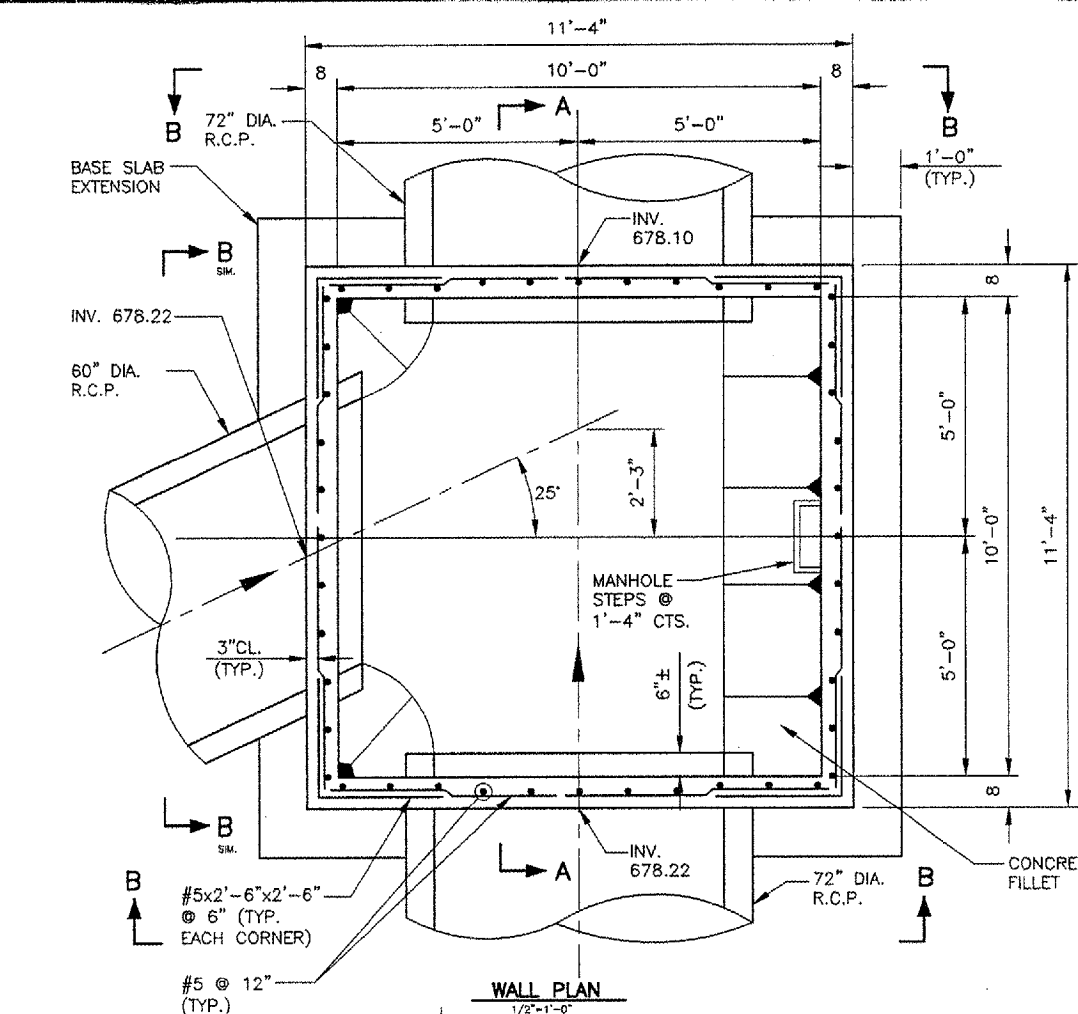


REVISIONS		
NUMBER	BY	DATE

0 1 2
 THIS BAR IS EQUAL TO 2" AT FULL SCALE (34X22).



OPTION	ALTERNATE MATERIALS FOR WALLS	T (MIN.)
1	PRECAST REINFORCED CONCRETE PIPE SECTIONS PER ASTM C76	9"
2	CAST-IN-PLACE CONCRETE	8"

- NOTES**
- DETAILS SHOWN ARE FOR OPTION 1. SEE TABLE 1.
 - OPENINGS IN PRE-CAST PIPE SECTION (OPTION 1) FOR SEWER PIPE SHALL BE EQUIVALENT TO THE OUTSIDE DIAMETER OF THE SEWER PIPE PLUS TWO INCHES. GROUT OPENING SOLID WITH NON-SHRINK GROUT.

VERMILLION COUNTY AIRPORT
DANVILLE, ILLINOIS
EXTEND PARALLEL TAXIWAY 600 FEET
MANHOLE & INLET DETAILS

CMT
 CRAWFORD, MURPHY & TILLY, INC.
 CONSULTING ENGINEERS
 License No. 184-000613

DESIGN BY:	JUF
DRAWN BY:	DPA/KMM
CHECKED BY:	SMH
APPROVED BY:	JEF
DATE:	01/13/2006
JOB No:	05042-0300
ILLINOIS PROJECT DNV--3537	
A.I.P. PROJECT 3-17-0032-B10	
SHEET	13 OF 29 SHEETS