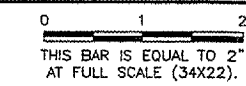


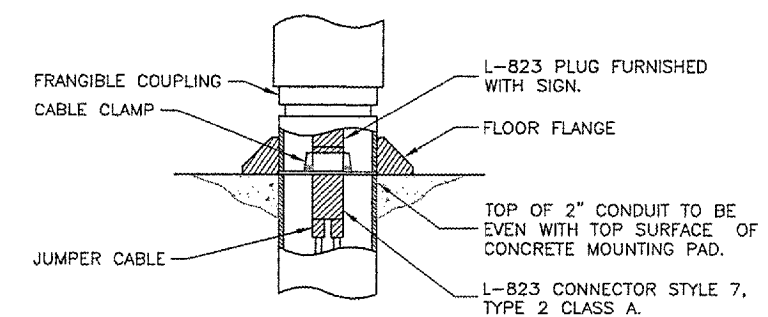
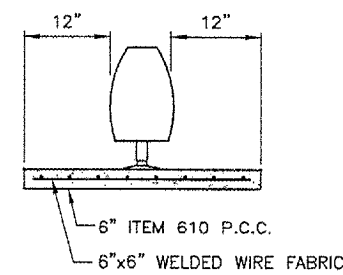
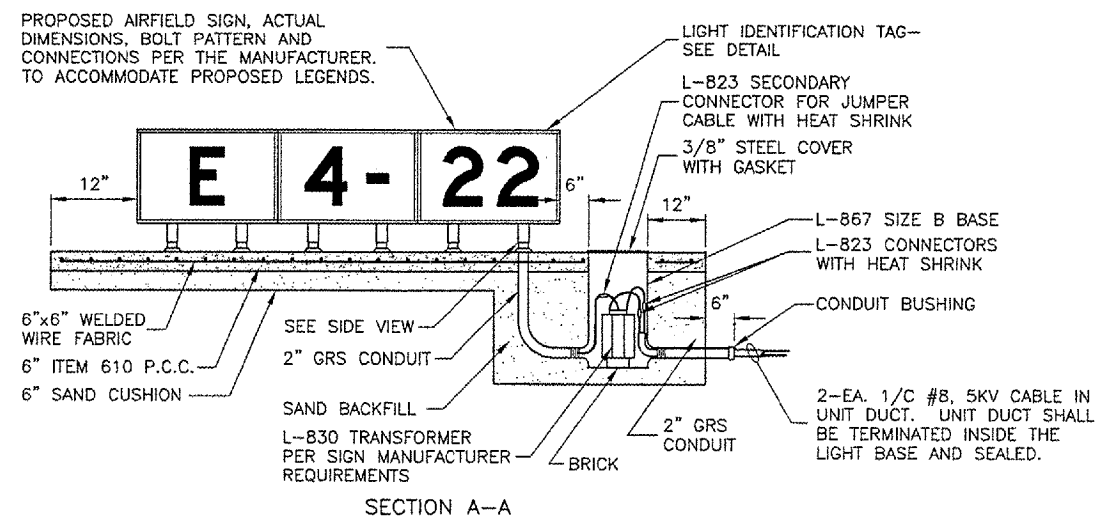
SIGN SCHEDULE						
SIGN NO.	SIDE	PROPOSED SIGN LEGEND	WHITE LEGEND WITH BLACK OUTLINE ON RED BACKGROUND	BLACK LEGEND ON YELLOW BACKGROUND	YELLOW LEGEND ON BLACK BACKGROUND	PROPOSED NUMBER OF CHARACTERS
1	N S	← A 21-3 A1 →	21-3	← A A1 →		9
2	N S	← A1		← A1		3
3	W E	A2 (M) 21-3 (E)	21-3 (E)		A2 (M)	6
4	N S	← A2		← A2		3
5	W E	A2 (M) A (E) 21-3 (E) A2 (M)	21-3 (E)	(E) A (E)	A2 (M) A2 (M)	6
6	N S	← A3 (M) A A (E) 21 ↑ (E)		← A3 (M) A A (E) 21 ↑ (E)	A (E)	6
7	N S	A3 (M) →		A3 (M) →		3
8	N S	← A3 (M)		← A3 (M)		2
9	W E	A (E) 21-3 (E)	21-3 (E)		A (E)	5
10	W E	21-3 (E) A (E) A ↑ A3 (M) A (E)	21-3 (E)	A (E) ↑ A (E)	A (E) A3 (M)	6
11	W E	A (E) A A3 (M) APRON ↑ (E)		A (E) A3 (M) APRON ↑ (E)	A (E)	6

REVISIONS		
NUMBER	BY	DATE



**VERMILION COUNTY AIRPORT
 DANVILLE, ILLINOIS**
EXTEND PARALLEL TAXIWAY 600 FEET
ELECTRICAL DETAILS SHEET 3

CONTRACTOR SHALL SUBMIT SHOP DRAWINGS WITH PROPOSED LEGENDS FOR APPROVAL PRIOR TO STARTING MANUFACTURE.
 (E) - EXISTING SIGN PANEL TO REMAIN
 (M) - MODIFIED SIGN PANEL ON EXISTING SIGN



L-858 AIRFIELD SIGN DETAILS

N.T.S.

SECTION B-B

ELECTRICAL CONNECTION DETAIL

N.T.S.

NOTES

1. TRANSFORMER WATTAGE SHALL BE AS REQUIRED BY SIGN MANUFACTURER.
2. SIGN LEGEND SHALL BE AS SHOWN IN THE PLANS.
3. SIGNS SHALL BE SIZE 2 STYLE 2, CLASS 2.

© Copyright CMT, Inc.

CMT
 CRAWFORD, MURPHY & TILLY, INC.
 CONSULTING ENGINEERS
 License No. 184-000818

DESIGN BY:	JEF
DRAWN BY:	DPA
CHECKED BY:	SMH
APPROVED BY:	JEF
DATE:	01/13/2006
JOB No:	05042-0300
ILLINOIS PROJECT DNV-3537	
A.I.P. PROJECT 3-17-0032-B10	
SHEET 18 OF 29 SHEETS	