

STATE OF ILLINOIS
DEPARTMENT OF TRANSPORTATION

F.A.P. RTE.	SECTION	COUNTY	TOTAL SHEETS	SHEET NO.
693	(FR)-1	MCLEAN	28	1
		ILLINOIS	CONTRACT NO. 70G18	

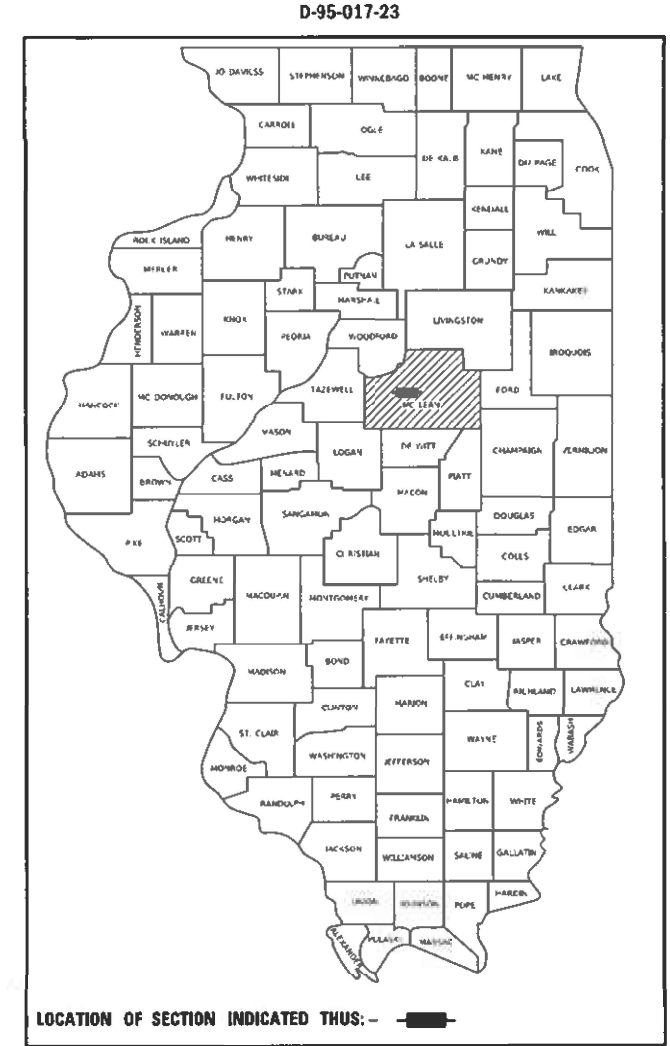
FOR INDEX OF SHEETS, SEE SHEET NO. 2
FOR SUMMARY OF QUANTITIES, SEE SHEET NO. 3

TRAFFIC DATA										
	LEG "A"	LEG "B"	LEG "C"	LEG "D"	LEG "E"	LEG "F"	LEG "G"	LEG "H"	LEG "I"	LEG "J"
2022 ADT =	6,200	8,400	14,200	20,500	15,900	17,600	19,100	22,300	18,900	7,000
P.U. %	96.6	96.1	95.6	95.5	97	97.5	85.3	85.5	96.3	85.0
S.U. %	2.4	2.4	2.8	2.7	2.5	2.0	3.1	3.0	2.4	3.2
M.U. %	1.0	1.5	1.6	1.8	0.5	0.5	1.6	1.5	1.3	1.8

PROPOSED HIGHWAY PLANS

FAP ROUTE 693 (IL 9)
SECTION (FR)-1
PROJECT
LONGITUDINAL JOINT REPAIR
W OF COLTON AVE. TO
CARNAHAN DR. IN BLOOMINGTON
MCLEAN COUNTY

C-95-029-23

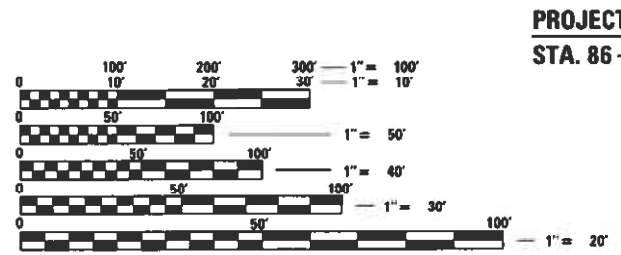


TRAFFIC DATA LOCATIONS

LEG "A" is IL 9 (Locust St.) from W. of Colton Ave. to Towanda Ave.
LEG "B" is IL 9 (Towanda Ave.) from Locust St. to Empire St.
LEG "C" is IL 9 (Empire St.) from Towanda Ave. to Fairway Dr.
LEG "D" is IL 9 (Empire St.) from Fairway Dr. to Ramp 19.12
LEG "E" is IL 9 (Empire St.) from Ramp 19.12 to Veteran's Pkwy
LEG "F" is IL 9 (Empire St.) from Veteran's Pkwy to Ramp 19.30
LEG "G" is IL 9 (Empire St.) from Ramp 19.30 to Hershey Rd.
LEG "H" is IL 9 (Empire St.) from Hershey Rd. to Eastport Dr.
LEG "I" is IL 9 (Empire St.) from Eastport Dr. to Carnahan Dr.
LEG "J" is IL 9 Alt (Empire St.) W. of Towanda Ave.

FUNCTIONAL CLASSIFICATION

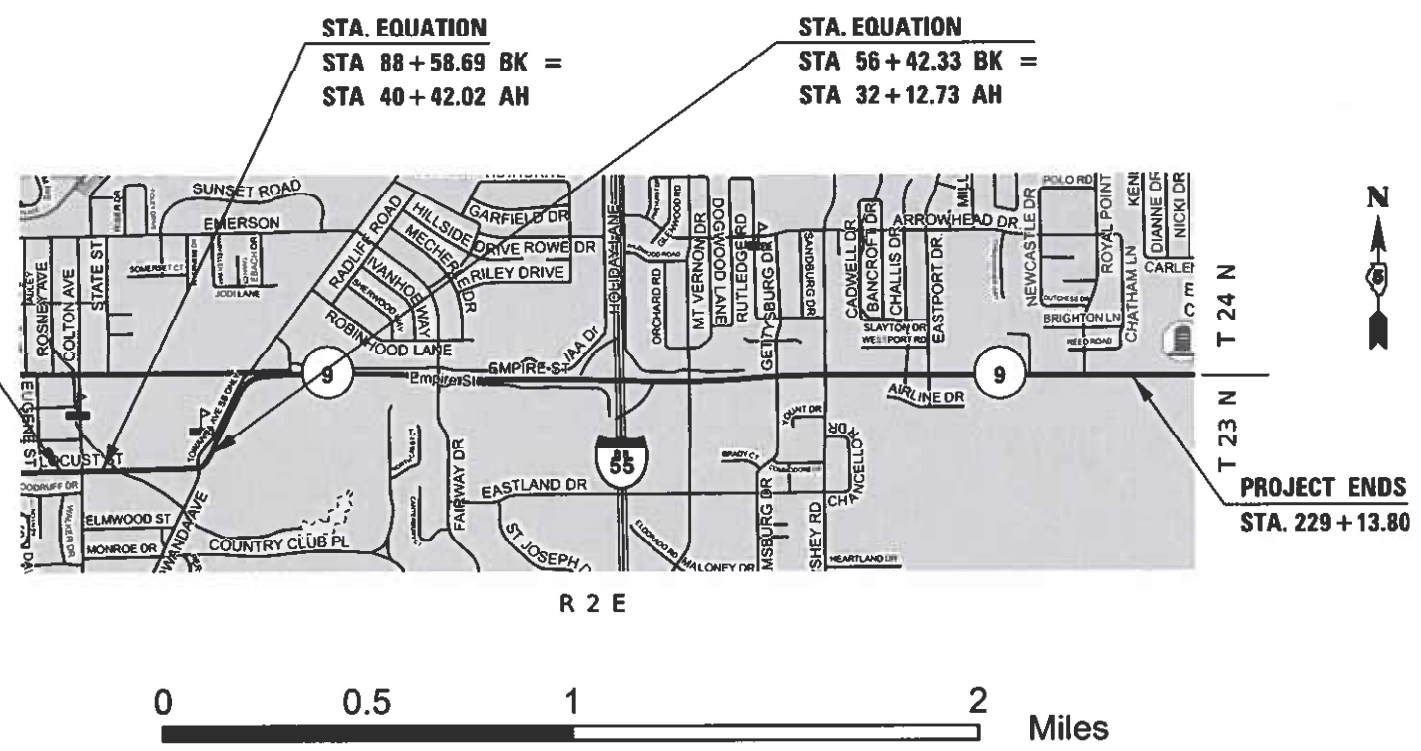
LEG "A", LEG "B", LEG "C", LEG "D", AND LEG "E" = OTHER PRINCIPAL ARTERIAL
LEG "F", LEG "G", LEG "H", LEG "I", AND LEG "J" = MINOR ARTERIAL



FULL SIZE PLANS HAVE BEEN PREPARED USING STANDARD ENGINEERING SCALES. REDUCED SIZED PLANS WILL NOT CONFORM TO STANDARD SCALES. IN MAKING MEASUREMENTS ON REDUCED PLANS, THE ABOVE SCALES MAY BE USED.

J.U.L.I.E.
JOINT UTILITY LOCATION INFORMATION FOR EXCAVATORS
1-800-892-0123
OR 811 BLOOMINGTON CITY TOWNSHIP

PROJECT ENGINEER: JASON STULTS
DESIGNER: JEANNIE BLAND
PHONE: (217)465-4181
CONTRACT NO. 70G18



GROSS LENGTH = 15,048.00 FT. = 2.85 MILE
NET LENGTH = 13,183.00 FT. = 2.50 MILE

STATE OF ILLINOIS
DEPARTMENT OF TRANSPORTATION

SUBMITTED 12/17/2022
Kenail A. Barnett
REGIONAL ENGINEER

February 3, 2023
[Signature]
ENGINEER OF DESIGN AND ENVIRONMENT

February 3, 2023
[Signature]
DIRECTOR OF HIGHWAYS PROJECT IMPLEMENTATION

PRINTED BY THE AUTHORITY
OF THE STATE OF ILLINOIS

INDEX OF SHEETS

SHEET NO.	DESCRIPTION
1	COVER SHEET
2	INDEX OF SHEETS
2	HIGHWAY STANDARDS
2	GENERAL NOTES
3	SUMMARY OF QUANTITIES
4 - 10	TYPICAL CROSS SECTION
11	SCHEDULE OF QUANTITIES
12 - 27	PLAN SHEETS
28	TRAFFIC CONTROL AND PROTECTION DEVICES ROAD & SIDEROAD / STREET CLOSURES DETAIL

LIST OF HIGHWAY STANDARDS

STANDARD NO.	DESCRIPTION
000001-08	STANDARDS SYMBOLS, ABBREVIATIONS, & PATTERNS
001006	DECIMAL OF AN INCH AND OF A FOOT
701101-05	OFF ROAD OPERATIONS, MULTILANE 15' TO 24' FROM PAVEMENT EDGE
701106-02	OFF ROAD OPERATIONS, MULTILANE, MORE THAN 15' AWAY
701427-05	LANE CLOSURE, MULTILANE, INTERMITTENT OR MOVING OPERATIONS, FOR SPEEDS ≤ 40 MPH
701601-09	URBAN LANE CLOSURE, MULTILANE, DAY OPERATIONS ONLY, FOR SPEEDS ≤ 40 MPH
701701-10	URBAN LANE CLOSURE, MULTILANE INTERSECTION
701901-08	TRAFFIC CONTROL DEVICES

GENERAL NOTES

G.N.-100A
ELECTRONIC FILES AND/OR ELECTRONIC SURVEY INFORMATION INCLUDING CADD FILES WILL NOT BE AVAILABLE TO THE CONTRACTOR.

G.N. -406H

MIXTURE REQUIREMENTS

THE FOLLOWING MIXTURE REQUIREMENTS ARE APPLICABLE FOR THIS PROJECT:

Location	IL 9 (Locust St)	IL 9 (Locust St)
Mixture Use	Surface (Full Width Intersections)	Surface (Joint Inlays)
AC/PG	SBS PG 70-22	PG 64-22
Design Air Voids	4.0% @ Ndes=70	4.0% @ Ndes=70
Mix Comp(Gradation)	IL 9.5	IL 9.5
Friction Aggregate	Mix D	Mix D
Mixture Weight	112	112
Quality Management Program	QC/QA	QC/QA
Sublot Size	3000	3000
Material Transfer Device (Required ?)	NO	NO

COMMITMENTS

THERE ARE NO COMMITMENTS FOR THIS PROJECT

**STATE OF ILLINOIS
DEPARTMENT OF TRANSPORTATION**

**INDEX OF SHEETS, HIGHWAY STANDARDS,
COMMITMENTS & GENERAL NOTES**

SCALE: NONE SHEET 1 OF 1 SHEETS STA. TO STA.

F.A.P. RTE.	SECTION	COUNTY	TOTAL SHEETS	SHEET NO.
693	(FR)-1	MCLEAN	28	2
CONTRACT NO. 70G18				
ILLINOIS FED. AID PROJECT				

SUMMARY OF QUANTITIES

LOCATION OF WORK: FAP 693

URBAN

OTHER PRINCIPAL ARTERIAL

0.00 TO STA. 163 + 70.55

MINOR ARTERIAL

STA. 163 + 70.55 TO STA. 229 + 13.80

MCLEAN

FUNDING BREAKOUT: 100% STATE

CONSTRUCTION TYPE CODE: 0005

CODE NO.	ITEM	UNIT	QUANTITY
40600290	BITUMINOUS MATERIALS (TACK COAT)	POUND	5235.00
40604062	HOT-MIX ASPHALT SURFACE COURSE, 1L-9.5, MIX "D", N70	TON	1,113.00
40604162	POLYMERIZED HOT-MIX ASPHALT SURFACE COURSE, 1L 9.5, MIX "D", N70	TON	236.00
44000159	HOT-MIX ASPHALT SURFACE REMOVAL 2 1/2"	SQ YD	11,633.00
60255500	MANHOLES TO BE ADJUSTED	EACH	1.00
67100100	MOBILIZATION	L SUM	1.00
70102630	TRAFFIC CONTROL AND PROTECTION, STANDARD 701601	L SUM	1.00
70102635	TRAFFIC CONTROL AND PROTECTION, STANDARD 701701	L SUM	1.00
Z0013798	CONSTRUCTION LAYOUT	L SUM	1.00
* DENOTES SPECIALTY ITEM			

MODEL: MODELNAME\$
FILE: M:\GIS\Projects\70G18\Drawings\DOT_Offices\Drawings\DOT\Projects\70G18\Drawings\CAD\Sheets\70G18-ht-500.dgn

USER NAME = Bridgette.Pierson	DESIGNED -	REVISED -
	DRAWN -	REVISED -
PLOT SCALE = 40.0000' / in.	CHECKED -	REVISED -
PLOT DATE = 12/7/2022	DATE -	REVISED -

**STATE OF ILLINOIS
DEPARTMENT OF TRANSPORTATION**

SUMMARY OF QUANTITIES

SCALE: NONE SHEET 1 OF 1 SHEETS STA. TO STA.

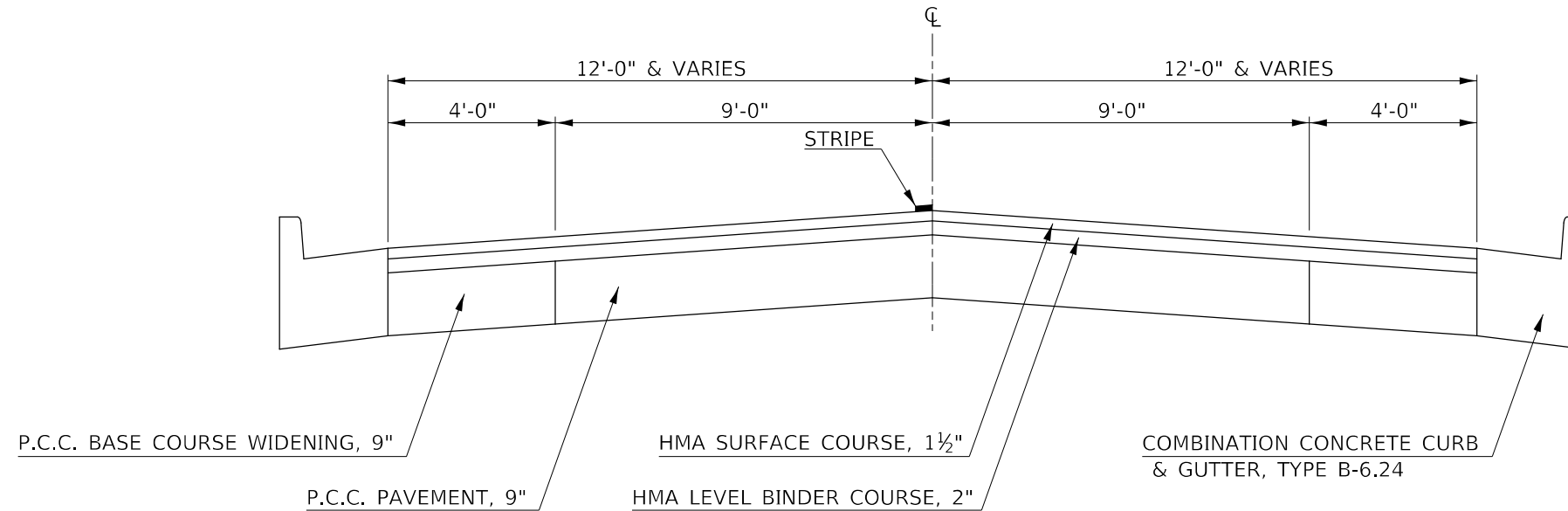
F.A.P. RTE.	SECTION	COUNTY	TOTAL SHEETS	SHEET NO.
693	(FR)-1	MCLEAN	28	3
			CONTRACT NO. 70G18	
ILLINOIS FED. AID PROJECT				

1 EXISTING TYPICAL CROSS SECTION

LOCUST STREET

STA. 86 + 30.00 TO STA. 88 + 58.69 BK

STA. 40 + 42.02 AH TO STA. 48 + 80.00



1 PROPOSED TYPICAL CROSS SECTION

LOCUST STREET

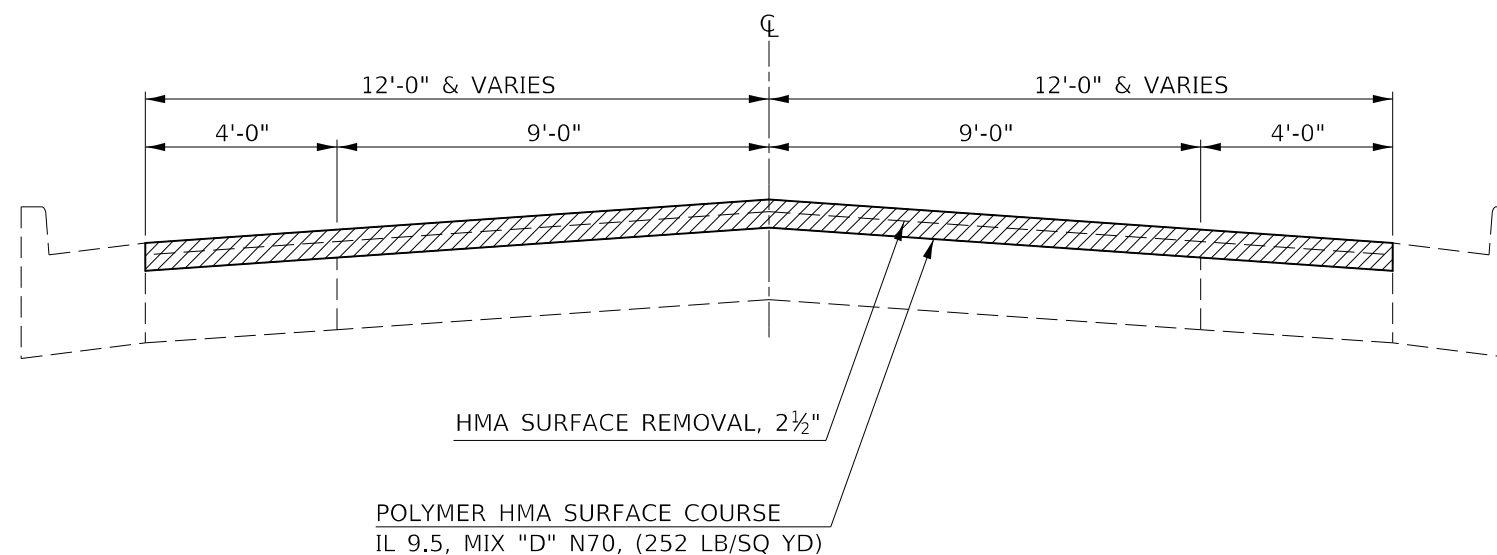
STA. 86 + 30.00 TO STA. 88 + 58.69 BK

STA. 40 + 42.02 AH TO STA. 48 + 80.00

OMISSION:

STA. 87 + 90.00 TO STA. 88 + 58.69 BK

STA. 40 + 42.02 AH TO STA. 48 + 80.00



MODEL: I:\MODEL\MHMF
 FILE: 3\state\pav\illinois\pav\bea\pav\com\p\w\dot\Documents\DOT\offices\Dir\dr: 5\Project\05706\B\CAD\data\CAD\sheet\05706\18\h-cs\typ\cal.dgn

USER NAME = Bridgette.Pierson	DESIGNED -	REVISED -
	DRAWN -	REVISED -
PLOT SCALE = 40,0000 * / in.	CHECKED -	REVISED -
PLOT DATE = 12/7/2022	DATE -	REVISED -

STATE OF ILLINOIS
DEPARTMENT OF TRANSPORTATION

TYPICAL CROSS SECTIONS
LOCUST STREET

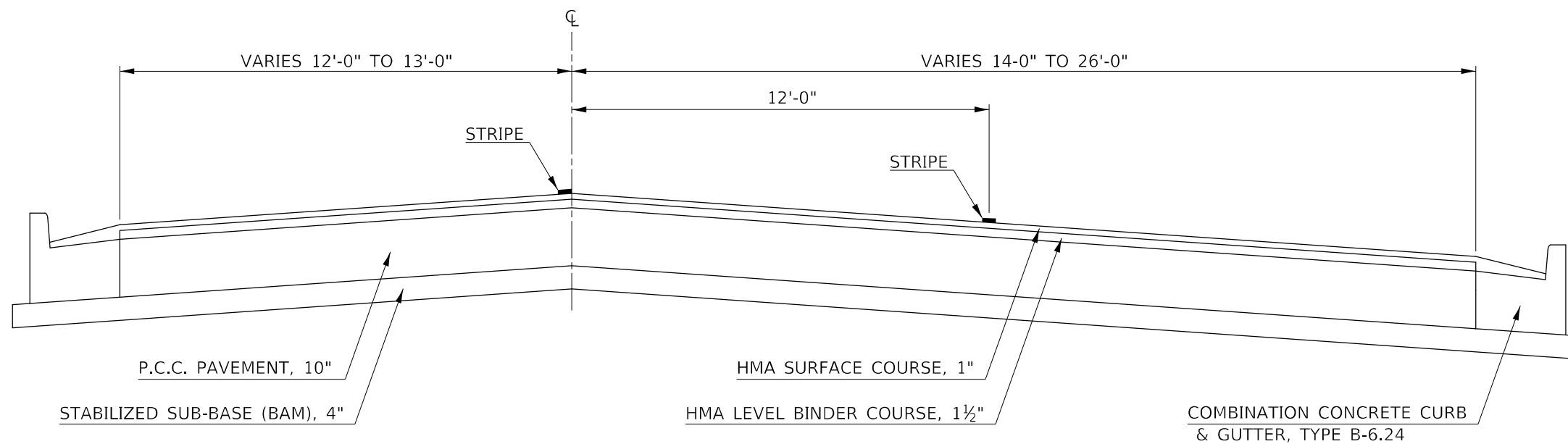
SCALE: NONE SHEET 1 OF 7 SHEETS STA. TO STA.

F.A.P. RTE.	SECTION	COUNTY	TOTAL SHEETS	SHEET NO.
693	(FR)-1	MCLEAN	28	4
CONTRACT NO. 70G18				
ILLINOIS FED. AID PROJECT				

② EXISTING TYPICAL CROSS SECTION

LOCUST STREET

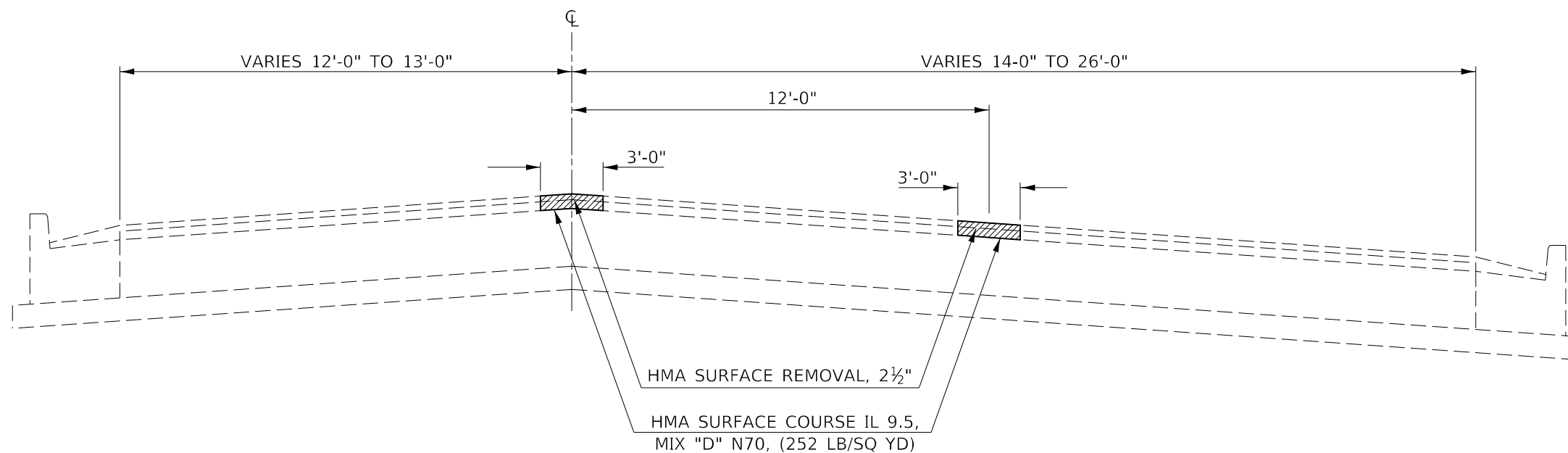
STA. 48 + 80.00 TO STA. 54 + 32.88



② PROPOSED TYPICAL CROSS SECTION

LOCUST STREET

STA. 48 + 80.00 TO STA. 54 + 32.88



MODEL: I:\MODEL\MHMF
 FILE: MHMF_Plan\Subarea\bea\lay.com\PIV\DOT\Documents\DOT_Offices\Dir\dr: S:\Project\05706\B\CAD\DATA\CAD\Sheet\05706\B\plan\typical.dgn

USER NAME = Bridgette.Pierson	DESIGNED -	REVISED -
	DRAWN -	REVISED -
PLOT SCALE = 40,0000 * / in.	CHECKED -	REVISED -
PLOT DATE = 12/7/2022	DATE -	REVISED -

**STATE OF ILLINOIS
DEPARTMENT OF TRANSPORTATION**

**TYPICAL CROSS SECTIONS
LOCUST STREET**

SCALE: NONE SHEET 2 OF 7 SHEETS STA. TO STA.

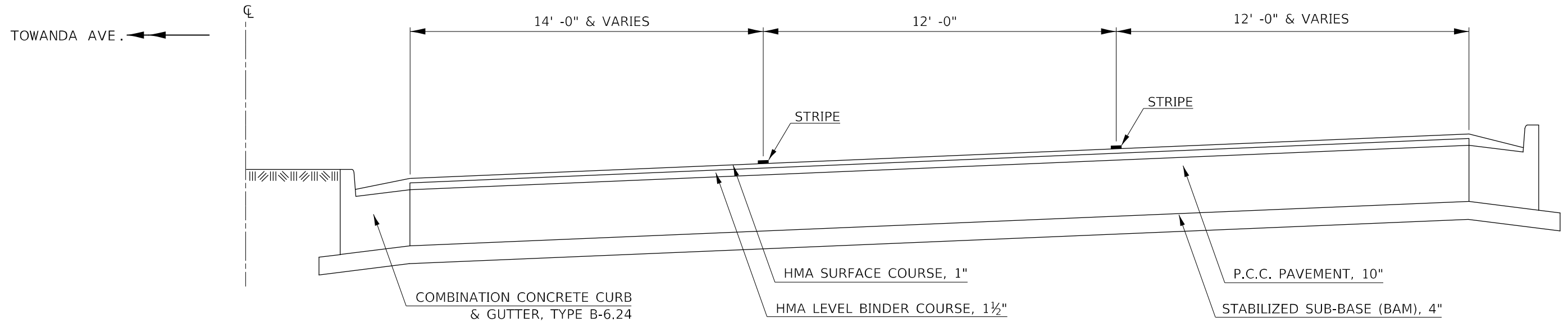
F.A.P. RTE.	SECTION	COUNTY	TOTAL SHEETS	SHEET NO.
693	(FR)-1	MCLEAN	28	5
CONTRACT NO. 70G18			ILLINOIS FED. AID PROJECT	

③ EXISTING TYPICAL CROSS SECTION

E. BOUND LOCUST STREET /TOWANDA AVENUE

STA. 54 + 32.88 TO STA. 56 + 42.33 BK

STA. 32 + 12.73 AH TO STA. 26 + 32.88

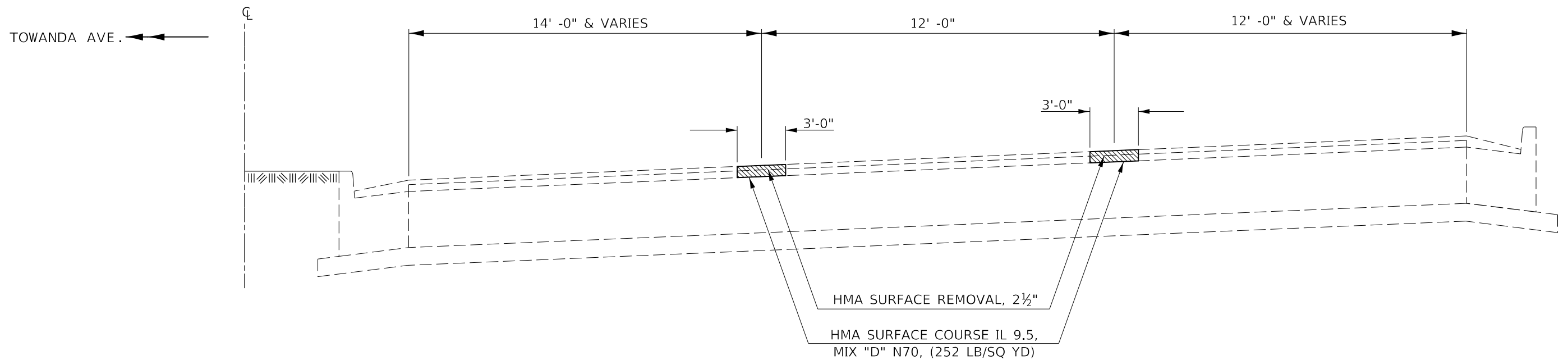


③ PROPOSED TYPICAL CROSS SECTION

E. BOUND LOCUST STREET /TOWANDA AVENUE

STA. 54 + 32.88 TO STA. 56 + 42.33 BK

STA. 32 + 12.73 AH TO STA. 26 + 32.88



MODEL: \\MODEL\MAME
 FILE: \\MAILS_P\pub\lucast\paw\beadefy.com\PIV\DOT\Documents\DOT_Offices\Dir\drfr: S:\Project\0570G\B\CAD\DATA\CAD\Sheet\0570G18\hwytypical.dgn

USER NAME = Bridgette.Pierson	DESIGNED -	REVISED -
	DRAWN -	REVISED -
PLOT SCALE = 40,0000 * / in.	CHECKED -	REVISED -
PLOT DATE = 12/7/2022	DATE -	REVISED -

**STATE OF ILLINOIS
DEPARTMENT OF TRANSPORTATION**

**TYPICAL CROSS SECTIONS
E BOUND LOCUST ST./TOWANDA AVENUE**

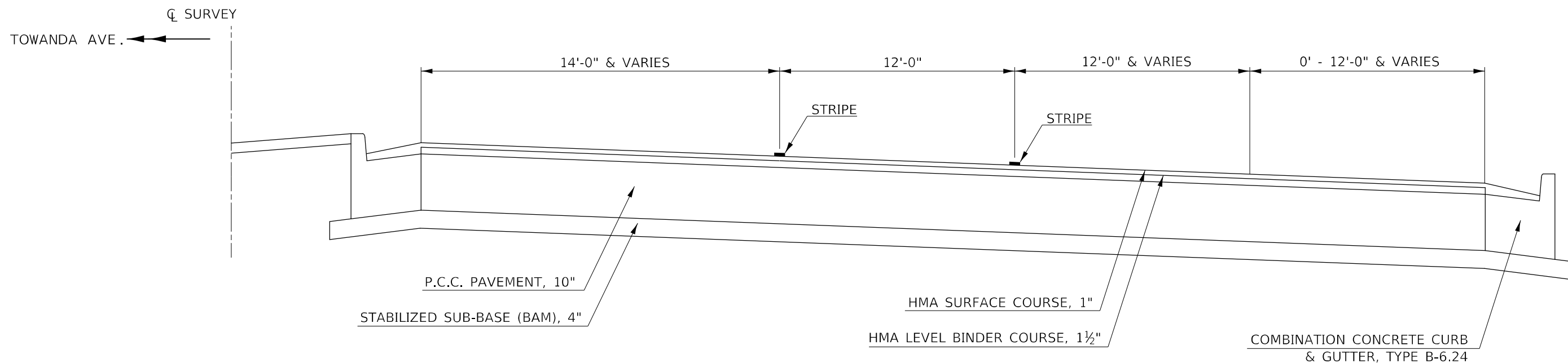
SCALE: NONE SHEET 3 OF 7 SHEETS STA. TO STA.

F.A.P. RTE.	SECTION	COUNTY	TOTAL SHEETS	SHEET NO.
693	(FR)-1	MCLEAN	28	6
CONTRACT NO. 70G18				
ILLINOIS FED. AID PROJECT				

④ EXISTING TYPICAL CROSS SECTION

E. BOUND LOCUST STREET /TOWANDA AVENUE

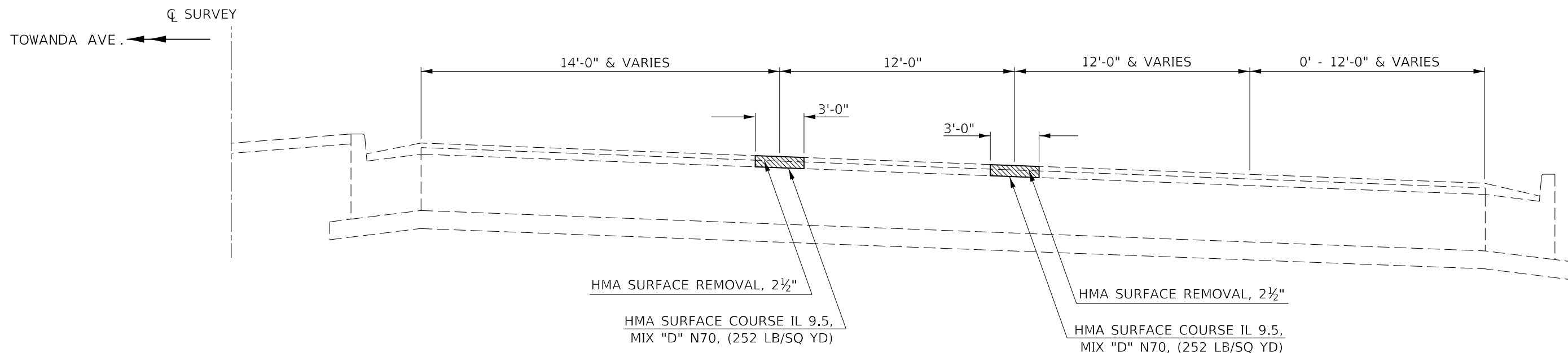
STA. 26 + 32.88 TO STA. 19 + 88.00



④ PROPOSED TYPICAL CROSS SECTION

E. BOUND LOCUST STREET /TOWANDA AVENUE

STA. 26 + 32.88 TO STA. 19 + 88.00



**STATE OF ILLINOIS
DEPARTMENT OF TRANSPORTATION**

**TYPICAL CROSS SECTIONS
E. BOUND LOCUST STREET /TOWANDA AVENUE**

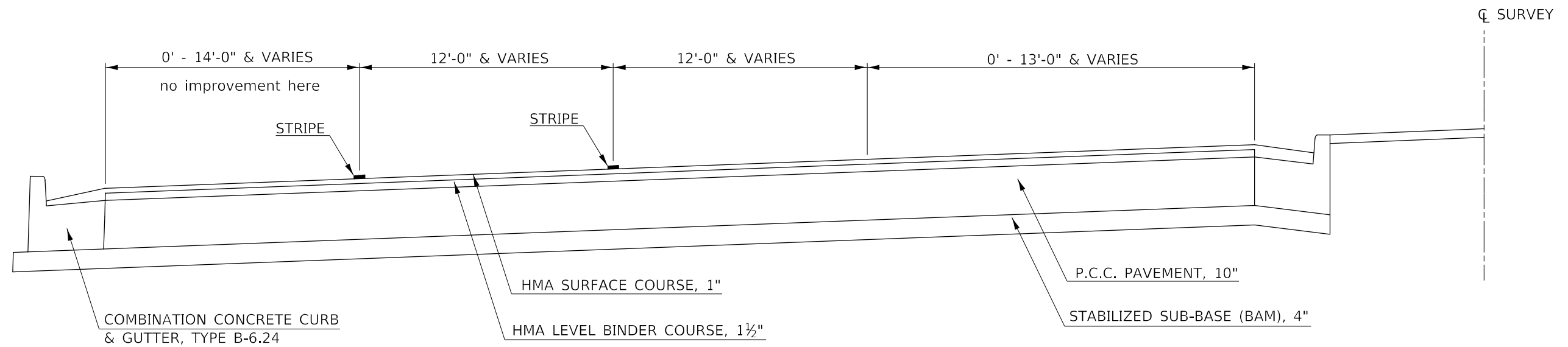
SCALE: NONE SHEET 4 OF 7 SHEETS STA. TO STA.

F.A.P. RTE.	SECTION	COUNTY	TOTAL SHEETS	SHEET NO.
693	(FR)-1	MCLEAN	28	7
			CONTRACT NO. 70G18	
ILLINOIS FED. AID PROJECT				

MODEL: \\MODEL\NAMES
FILE: \\MAILS\paul\public\pa_beaufy.com\FW\DOT\Documents\DOT_office\Dir\dr...S:\Project\1057061\CAD\DATA\CAD\Sheet\1057061\B-ht-ty-cal.dgn

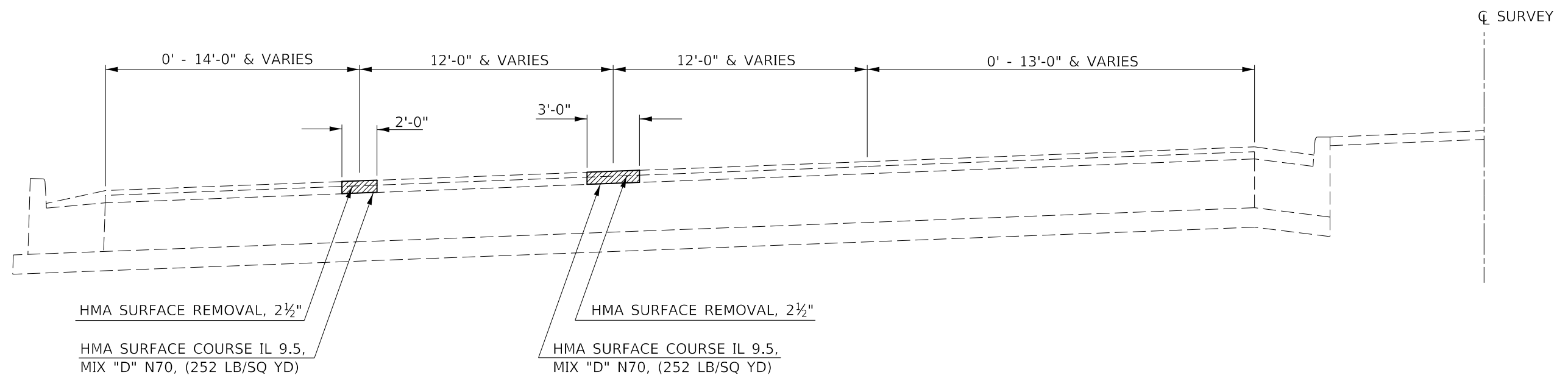
⑤ EXISTING TYPICAL CROSS SECTION

**W. BOUND EMPIRE STREET
STA. 113+00.00 TO STA. 119+15.76**



⑤ PROPOSED TYPICAL CROSS SECTION

**W. BOUND EMPIRE STREET
STA. 113+00.00 TO STA. 119+15.76**



MODEL: \\MODEL\MAME
 FILE: \\MAILS_P\pub\cpx\beadefy.com\PIV\DOT\Documents\DOT_Offices\Dir\dr: S\Project\0570618\CAD\DATA\CAD\Sheet\0570618\cpx\typical.dgn

USER NAME = Bridgette.Pierson	DESIGNED -	REVISED -
PLOT SCALE = 40,0000 */ in.	DRAWN -	REVISED -
PLOT DATE = 12/7/2022	CHECKED -	REVISED -
	DATE -	REVISED -

**STATE OF ILLINOIS
DEPARTMENT OF TRANSPORTATION**

**TYPICAL CROSS SECTIONS
W. BOUND EMPIRE STREET**

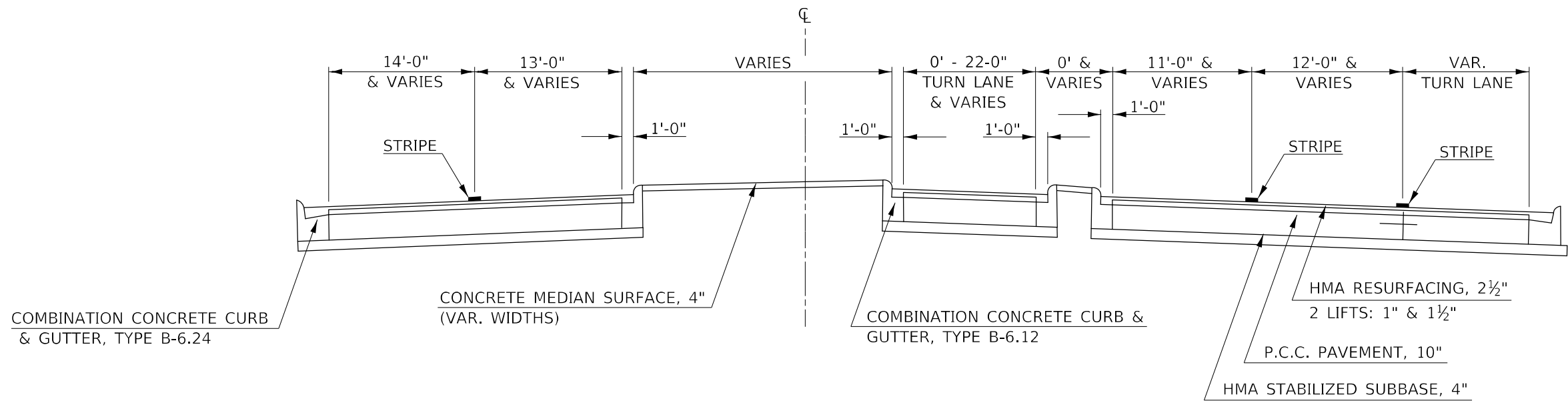
SCALE: NONE SHEET 5 OF 7 SHEETS STA. TO STA.

F.A.P. RTE.	SECTION	COUNTY	TOTAL SHEETS	SHEET NO.
693	(FR)-1	MCLEAN	28	8
CONTRACT NO. 70G18				
ILLINOIS FED. AID PROJECT				

⑥ EXISTING TYPICAL CROSS SECTION

EMPIRE STREET
STA. 119+15.76 TO STA. 153.50.00

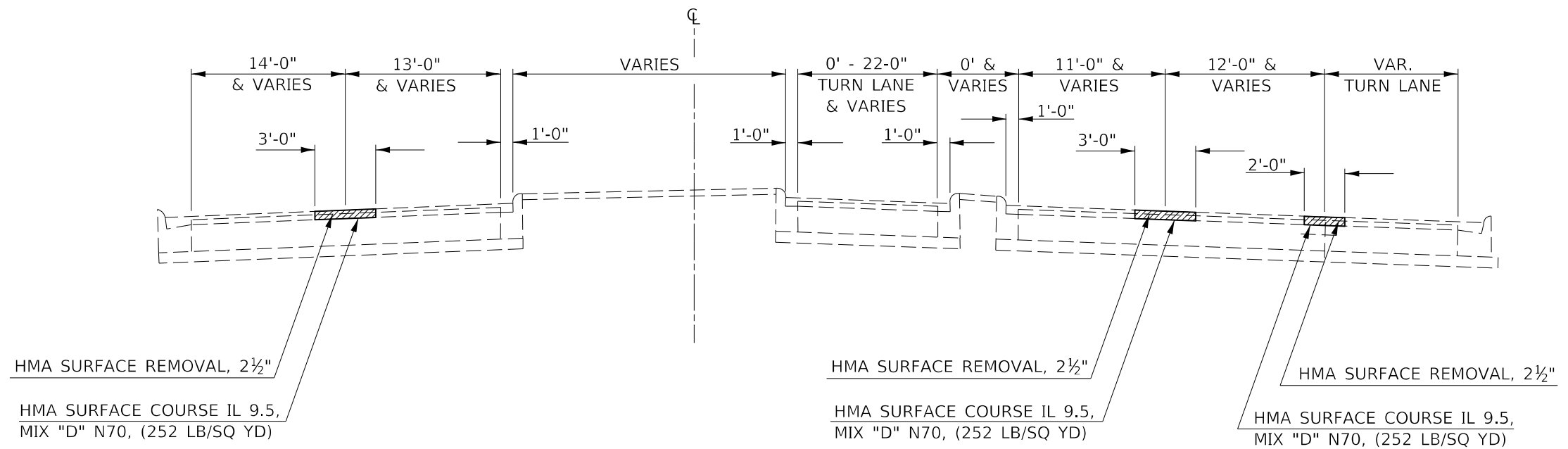
OMISSION:
STA. 153+50.00 TO STA. 172+25.00



⑥ PROPOSED TYPICAL CROSS SECTION

EMPIRE STREET
STA. 119+15.76 TO STA. 153.50.00

OMISSION:
STA. 153+50.00 TO STA. 172+25.00



MODEL: \\MODEL\MAME
 FILE: \\MAILS_P\pub\lucy\ba\bea\fy.com\PI\DOT\Documents\DOT_Offices\Dir\dr. S\Project\057061\CAD\data\CAD\Sheet\057061\8-sh-cs-typical.dgn

USER NAME = Bridgette.Pierson	DESIGNED -	REVISED -
	DRAWN -	REVISED -
PLOT SCALE = 40,0000 * / in.	CHECKED -	REVISED -
PLOT DATE = 12/7/2022	DATE -	REVISED -

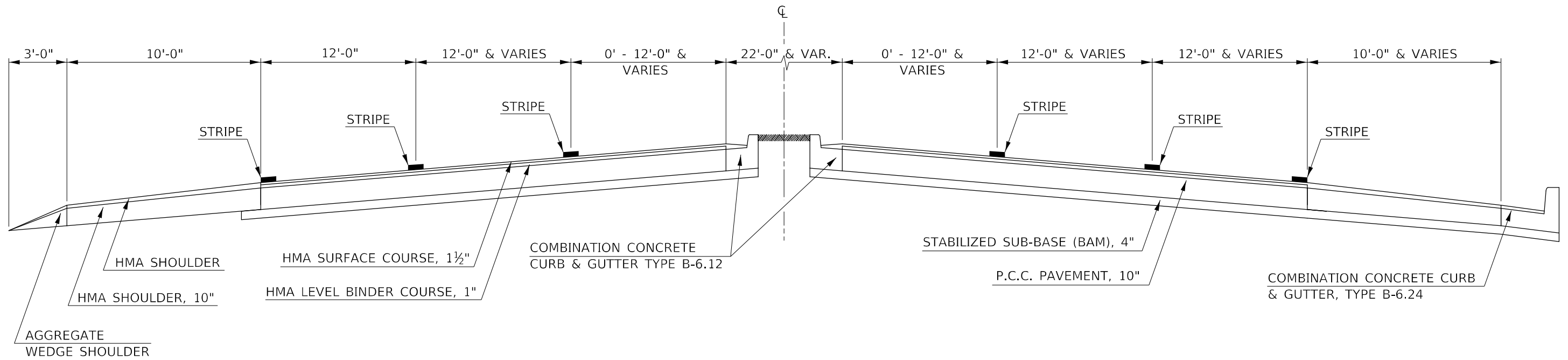
STATE OF ILLINOIS
DEPARTMENT OF TRANSPORTATION

TYPICAL CROSS SECTIONS			
EMPIRE STREET			
SCALE: NONE	SHEET 6	OF 7 SHEETS	STA. TO STA.

F.A.P. RTE. 693	SECTION (FR)-1	COUNTY MCLEAN	TOTAL SHEETS 28	SHEET NO. 9
ILLINOIS FED. AID PROJECT			CONTRACT NO. 70G18	

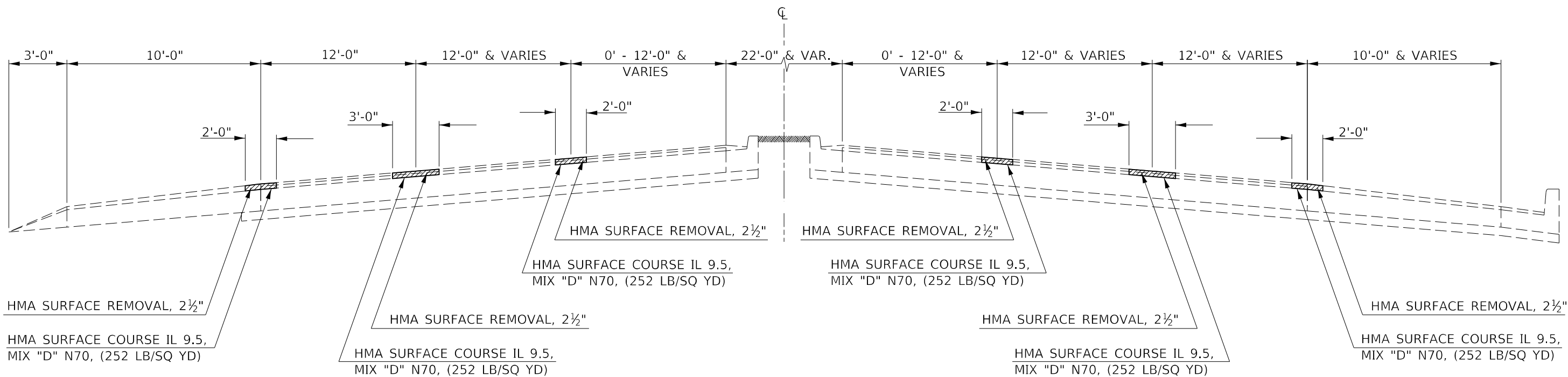
7 EXISTING TYPICAL CROSS SECTION

EMPIRE STREET
STA. 172 + 25.00 TO STA. 230 + 33.00



7 PROPOSED TYPICAL CROSS SECTION

EMPIRE STREET
STA. 172 + 25.00 TO STA. 230 + 33.00



MODEL: \\MODEL\MAME
 FILE: \\MAILS_PUB\Subarea\beadefy.com\PI\DOT\Documents\DOT Office\Dir\dir: S\Project\0570G\B\CAD\DATA\CAD\Sheet\0570G18-shc-typical.dgn

USER NAME = Bridgette.Pierson	DESIGNED -	REVISED -
	DRAWN -	REVISED -
PLOT SCALE = 40,0000 * / in.	CHECKED -	REVISED -
PLOT DATE = 12/7/2022	DATE -	REVISED -

STATE OF ILLINOIS
DEPARTMENT OF TRANSPORTATION

TYPICAL CROSS SECTIONS			
EMPIRE STREET			
SCALE: NONE	SHEET 7	OF 7 SHEETS	STA. TO STA.

F.A.P. RTE.	SECTION	COUNTY	TOTAL SHEETS	SHEET NO.
693	(FR)-1	MCLEAN	28	10
CONTRACT NO. 70G18			ILLINOIS FED. AID PROJECT	

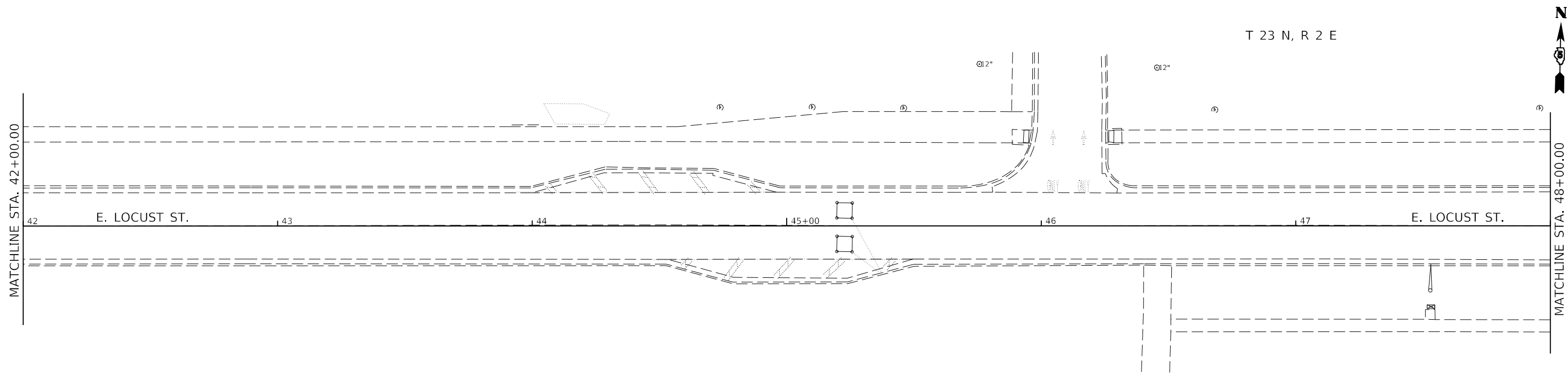
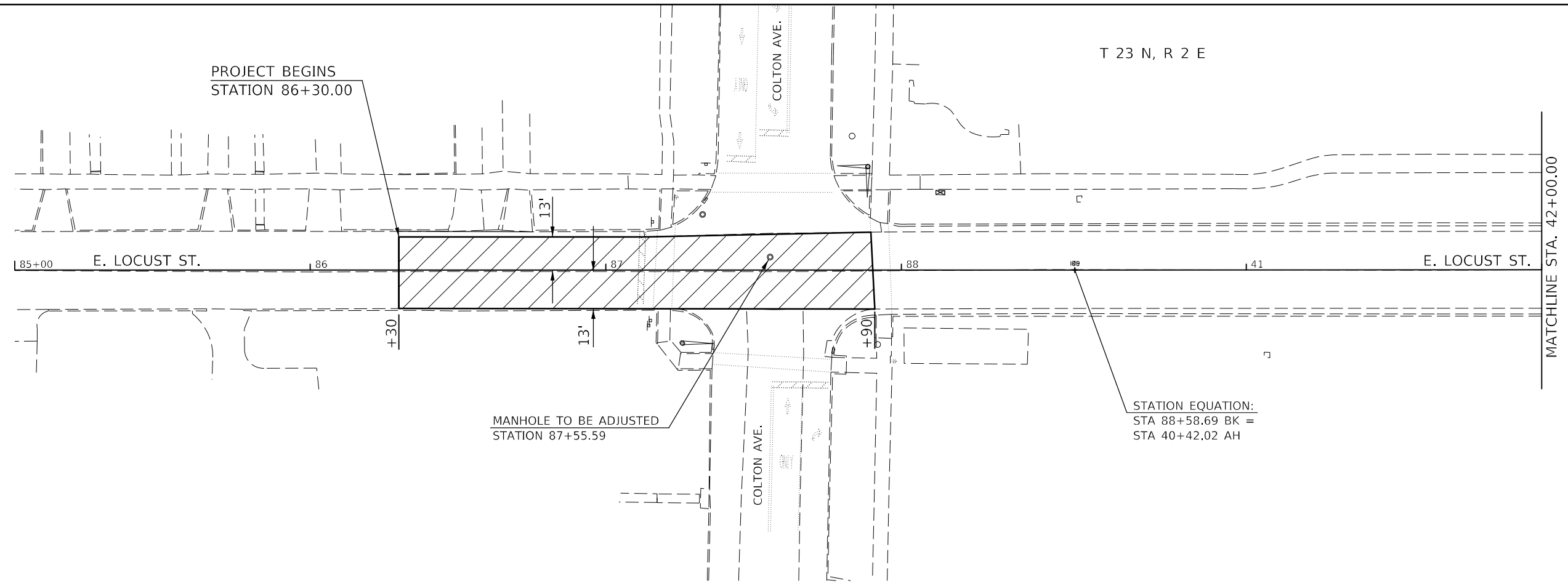
SCHEDULE OF QUANTITIES

LOCATIONS	STATION	TO	STATION	LENGTH FT	WIDTH FT	AREA SQFT	DEPTH INCH	BITUMINOUS MATERIALS (TACK COAT) POUND	HOT MIX ASPHALT SURFACE REMOVAL 2 1/2" SQ YD	POLYMER HMA SURFACE CSE IL 9.5 MIX "D" N70 TON	HOT MIX ASPHALT SURFACE CSE IL 9.5 MIX "D" N70 TON			
								0.05LBS PER SQFT						
								40600290	44000159	40604072	40604062			
E LOCUST LANES	86+30		87+90	160.00	26.00	4,160.00	2.50	208.00	462.22	64.71				
STA EQN 40+42.03 (AH) = STA 88+58.69 (BK)														
E LOCUST	CL		LT 49+10	732.30	3.00	2,196.90	2.50	109.85	244.10		34.17			
E LOCUST	CL		RT 49+10	732.30	3.00	2,196.90	2.50	109.85	244.10		34.17			
STA EQN 32+12.73 (AH) = STA 56+42.33 (BK)														
E LOCUST	CL		32+12.73	1,192.73	3.00	3,578.19	2.50	178.91	397.58		55.66			
E LOCUST/W EMPIRE	CL		32+12.73	4,735.23	3.00	14,205.69	2.50	710.28	1,578.41		220.98			
E EMPIRE (WB)	CL		LT 113+00	4,050.00	3.00	12,150.00	2.50	607.50	1,350.00		189.00			
E EMPIRE (WB)	ST RETURN		LT 115+40	150.00	24.00	3,600.00	2.50	180.00	400.00	56.00				
E EMPIRE (WB)	EOP		12FT LT 114+65	115.00	2.00	230.00	2.50	11.50	25.56		3.58			
E EMPIRE (WB)	RT TURN		12FT LT 117+40	260.00	2.00	520.00	2.50	26.00	57.78		8.09			
E EMPIRE (EB)	RT TURN		42FT RT 145+65	647.00	2.00	1,294.00	2.50	64.70	143.78		20.13			
E EMPIRE (EB)	LT TURN		20FT RT 146+30	205.00	2.00	410.00	2.50	20.50	45.56		6.38			
E EMPIRE (WB)	EOP		46FT LT 151+80	170.00	2.00	340.00	2.50	17.00	37.78		5.29			
E EMPIRE (WB)	CONST JOINT		12FT LT 152+05	80.00	2.00	160.00	2.50	8.00	17.78		2.49			
E EMPIRE (EB)	DL		RT 152+12	138.00	14.00	1,932.00	2.50	96.60	214.67	30.05				
OMISSION														
			153+50			172+15								
E EMPIRE (WB)	CL		LT 172+15	1,085.00	3.00	3,255.00	2.50	162.75	361.67		50.63			
E EMPIRE (EB)	CL		RT 172+15	5,700.00	3.00	17,100.00	2.50	855.00	1,900.00		266.00			
E EMPIRE (WB)	EOP		36FT LT 172+15	140.00	2.00	280.00	2.50	14.00	31.11		4.36			
E EMPIRE (WB)	CONST JOINT		12FT LT 172+50	105.00	2.00	210.00	2.50	10.50	23.33		3.27			
E EMPIRE (EB)	LT TURN		12FT RT 172+15	155.00	2.00	310.00	2.50	15.50	34.44		4.82			
E EMPIRE (EB)	EOP		39FT RT 172+45	1,078.00	2.00	2,156.00	2.50	107.80	239.56		33.54			
E EMPIRE (EB)	LT TURN		12FT RT 179+60	195.00	2.00	390.00	2.50	19.50	43.33		6.07			
E EMPIRE (WB)	CL		LT 183+60	640.00	3.00	1,920.00	2.50	96.00	213.33		29.87			
E EMPIRE (WB)	CL		LT 191+25	3,790.00	3.00	11,370.00	2.50	568.50	1,263.33		176.87			
E EMPIRE (WB)	EOP		33FT LT 183+60	640.00	2.00	1,280.00	2.50	64.00	142.22		19.91			
E EMPIRE (WB)	LANES		LT 190+00	125.00	44.00	5,500.00	2.50	275.00	611.11	85.56				
E EMPIRE (WB)	CONST JOINT		9FT LT 183+80	135.00	2.00	270.00	2.50	13.50	30.00		4.20			
E EMPIRE (EB)	RT TURN		37FT RT 185+00	730.00	2.00	1,460.00	2.50	73.00	162.22		22.71			
E EMPIRE (WB)	RT TURN		36FT LT 191+25	495.00	2.00	990.00	2.50	49.50	110.00		15.40			
E EMPIRE (WB)	LT TURN		12FT LT 191+25	495.00	2.00	990.00	2.50	49.50	110.00		15.40			
E EMPIRE (EB)	EOP		35FT RT 195+45	255.00	2.00	510.00	2.50	25.50	56.67		7.93			
E EMPIRE (EB)	LT TURN		14FT RT 199+20	555.00	2.00	1,110.00	2.50	55.50	123.33		17.27			
E EMPIRE (EB)	RT TURN		38FT RT 199+65	510.00	2.00	1,020.00	2.50	51.00	113.33		15.87			
E EMPIRE (WB)	EOP		34FT LT 202+50	2,125.00	2.00	4,250.00	2.50	212.50	472.22		66.11			
E EMPIRE (WB)	CONST JOINT		8FT LT 203+80	75.00	2.00	150.00	2.50	7.50	16.67		2.33			
E EMPIRE (EB)	LT TURN		12FT RT 213+35	265.00	2.00	530.00	2.50	26.50	58.89		8.24			
E EMPIRE (WB)	JOINT		8FT LT 216+80	120.00	2.00	240.00	2.50	12.00	26.67		3.73			
E EMPIRE (EB)	LT TURN		12FT RT 216+85	115.00	2.00	230.00	2.50	11.50	25.56		3.58			
E EMPIRE (EB)	LT TURN		10FT RT 220+15	480.00	2.00	960.00	2.50	48.00	106.67		14.93			
E EMPIRE (WB)	CONST JOINT		8FT LT 223+90	100.00	2.00	200.00	2.50	10.00	22.22		3.11			
E EMPIRE (EB)	RT TURN		35FT RT 225+60	355.00	2.00	710.00	2.50	35.50	78.89		11.04			
E EMPIRE (EB)	EOP		35FT LT 227+65	150.00	2.00	300.00	2.50	15.00	33.33		4.67			
TOTAL =								5,233.23	11,629.41	236.32	1,391.80			
USE =								5,234.00	11,630.00	237.00	1,392.00			

MODEL: I:\MODEL\MHMF5
 FILE: MHMF5_Plan\Subcontractor\Documents\DOT_Offices\Director_S\Projects\70G_B\CD\DATA\CD\Heeres\0570G_B\B-Plan-Schedule.dgn

USER NAME = Bridgette.Pierson DRAWN - CHECKED - DATE -	DESIGNED - DRAWN - CHECKED - DATE -	REVISED - REVISED - REVISED - REVISED -	STATE OF ILLINOIS DEPARTMENT OF TRANSPORTATION	SCHEDULE OF QUANTITIES	SCALE: NONE	SHEET 1 OF 1 SHEETS	STA. TO STA.	F.A.P. RTE. 693	SECTION (FR)-1	COUNTY MCLEAN	TOTAL SHEETS 28	SHEET NO. 11
ILLINOIS FED. AID PROJECT									CONTRACT NO. 70G18			

MODEL: \\MODELS\MN\FE
 FILE NAME: \\PUB\c:\paw\bea\paw.com\PIV\DOT\Documents\DOT Office\Dir\dr: S:\Project\70G\70G18\CAD\DATA\CAD\Sheet\70G18\plan.dgn



USER NAME = Bridgette.Pierson	DESIGNED -	REVISED -
	DRAWN -	REVISED -
PLOT SCALE = 40,0000 * / in.	CHECKED -	REVISED -
PLOT DATE = 12/7/2022	DATE -	REVISED -

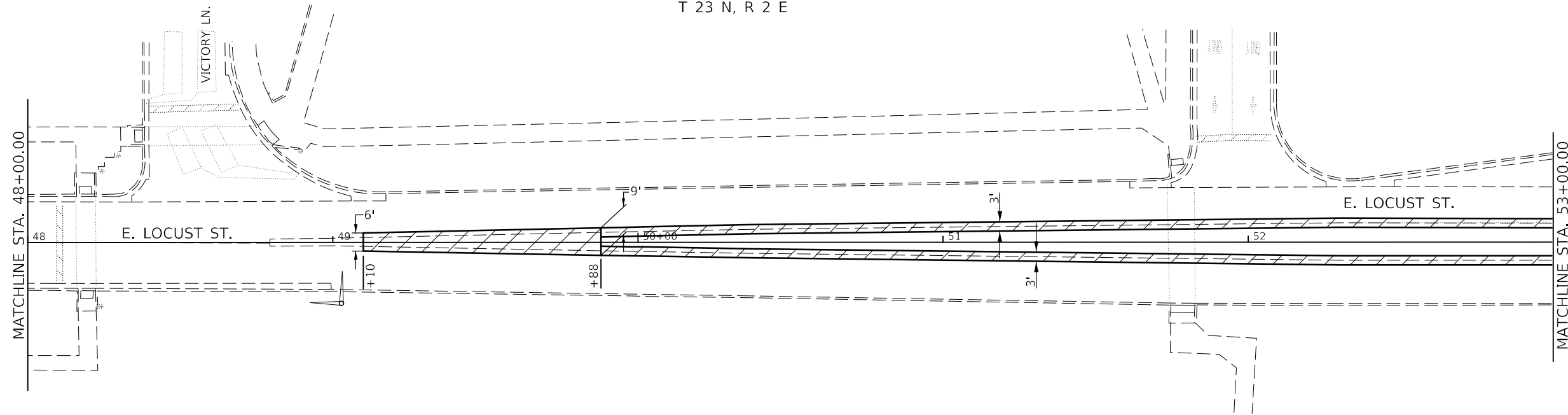
**STATE OF ILLINOIS
 DEPARTMENT OF TRANSPORTATION**

**FAP 693 (IL RTE 9)
 E LOCUST ST PLAN SHEET**

SCALE: 1" = 20' SHEET 1 OF 2 SHEETS STA. 65+00.00 TO STA. 48+00.00

F.A.P. RTE.	SECTION	COUNTY	TOTAL SHEETS	SHEET NO.
693	(FR)-1	MCLEAN	28	12
CONTRACT NO. 70G18				
ILLINOIS FED. AID PROJECT				

T 23 N, R 2 E



MODEL: \\MODELS\MNFs
 FILE: \\naifs_p\p\ul\c\p\be\p\com\P\W\DOT\Documents\DOT Office\Dir\Dir: S\Project\0570G\B\CAD\DATA\CAD\Sheets\0570G\B\p\plan.dgn

USER NAME = Bridgette.Pierson	DESIGNED -	REVISED -
	DRAWN -	REVISED -
PLOT SCALE = 40,0000 * / in.	CHECKED -	REVISED -
PLOT DATE = 12/7/2022	DATE -	REVISED -

**STATE OF ILLINOIS
 DEPARTMENT OF TRANSPORTATION**

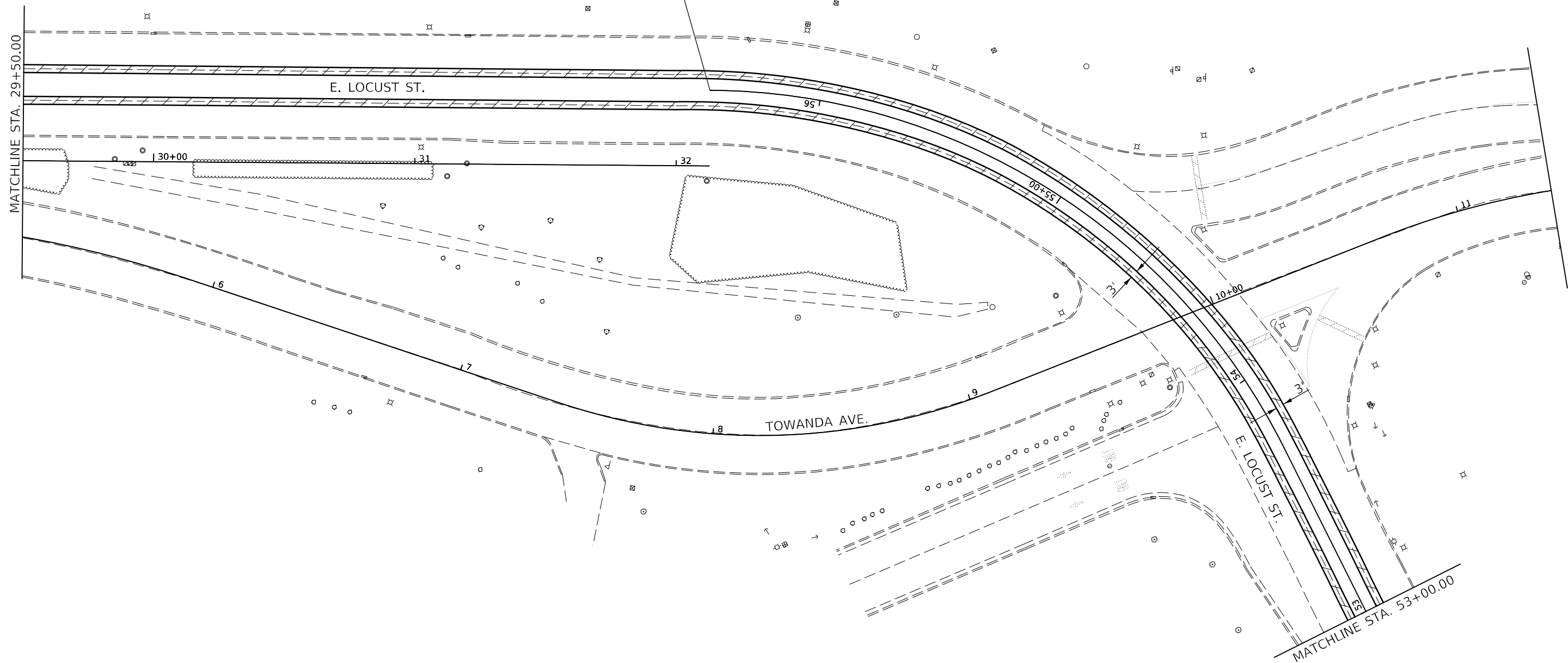
FAP 693 (IL RTE 9) E LOCUST ST PLAN SHEET			
SCALE: 1" = 20'	SHEET 2	OF 2 SHEETS	STA. 48+00.00 TO STA. 53+00.00

F.A.P. RTE.	SECTION	COUNTY	TOTAL SHEETS	SHEET NO.
693	(FR)-1	MCLEAN	28	13
CONTRACT NO. 70G18				
ILLINOIS FED. AID PROJECT				

T 23 N, R 2 E



STATION EQUATION:
 STA 56+42.31 BK =
 STA 32+12.73 AH



MODEL: \\MODEL\MAME
 FILE: \\MAIL: p...\\public\paw_beaufay.com\PIV\DOT\Documents\DOT_Offices\Dir\dr... S:\Project\0570G_IL\CAD\DATA\CAD\Sheets\0570G_IL\p-h-plan.dgn

USER NAME = Bridgette.Pierson	DESIGNED -	REVISED -
	DRAWN -	REVISED -
PLOT SCALE = 40,0000 * / in.	CHECKED -	REVISED -
PLOT DATE = 12/7/2022	DATE -	REVISED -

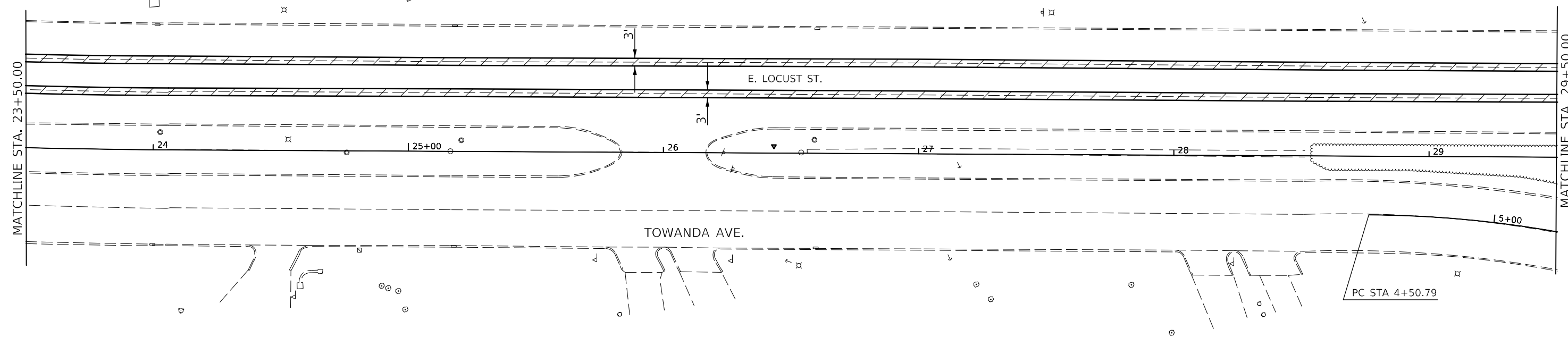
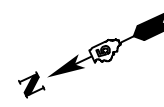
**STATE OF ILLINOIS
 DEPARTMENT OF TRANSPORTATION**

**FAP 693 (IL RTE 9)
 N TOWANDA AVE PLAN**

SCALE: 1" = 20' SHEET 1 OF 3 SHEETS STA. 29+50.00 TO STA. 53+00.0011

F.A.P. RTE.	SECTION	COUNTY	TOTAL SHEETS	SHEET NO.
693	(FR)-1	MCLEAN	28	14
CONTRACT NO. 70G18				
ILLINOIS FED. AID PROJECT				

T 23 N, R 2 E



MODEL: \\MODEL\MNMF
 FILE: \\MAILS_Plan\Illinois\bea\fy.com\PIV\DOT\Documents\DOT_Offices\Dir\dr. S\Project\0570G_IL\CAD\DATA\CAD\Sheet\0570G18\plan.dgn

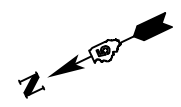
USER NAME = Bridgette.Pierson	DESIGNED -	REVISED -
	DRAWN -	REVISED -
PLOT SCALE = 40,0000 * / in.	CHECKED -	REVISED -
PLOT DATE = 12/7/2022	DATE -	REVISED -

STATE OF ILLINOIS
DEPARTMENT OF TRANSPORTATION

FAP 693 (IL RTE 9)
N TOWANDA AVE PLAN

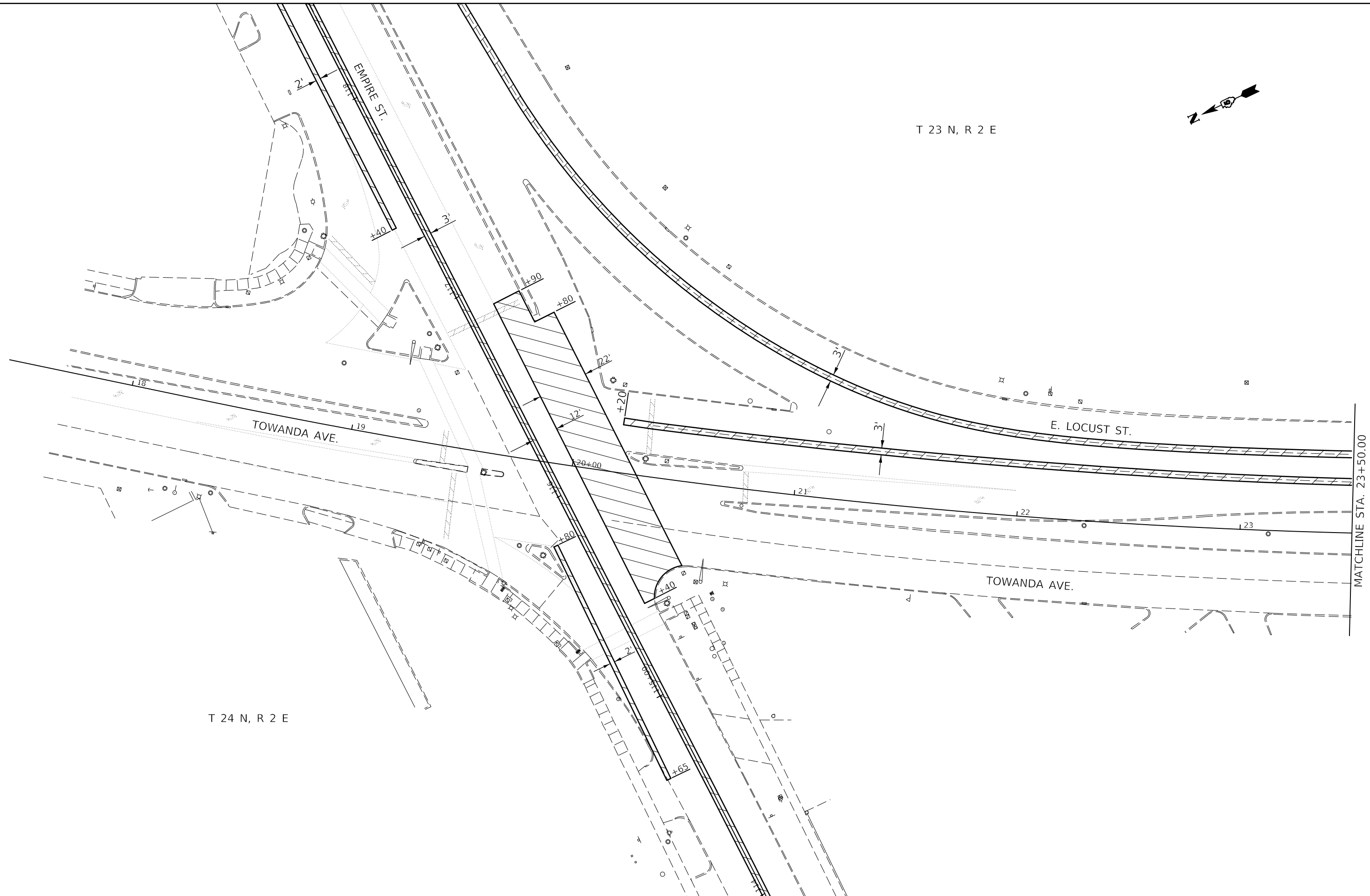
SCALE: 1" = 20' SHEET 2 OF 3 SHEETS STA. 23+50.00 TO STA. 29+50.00

F.A.P. RTE.	SECTION	COUNTY	TOTAL SHEETS	SHEET NO.
693	(FR)-1	MCLEAN	28	15
CONTRACT NO. 70G18				
ILLINOIS FED. AID PROJECT				



T 23 N, R 2 E

T 24 N, R 2 E



MODEL: \\MODEL\MAME
 FILE: \\MAILS_P\public\paw_bentley.com\PIV\DOT\Documents\DOT_Offices\Dir\dr: S\Project\0570G_IL\CAD\DATA\CAD\Sheet\0570G18.rvt\plan.dgn

USER NAME = Bridgette.Pierson	DESIGNED -	REVISED -
PLOT SCALE = 40,0000 * / in.	DRAWN -	REVISED -
PLOT DATE = 12/7/2022	CHECKED -	REVISED -
	DATE -	REVISED -

STATE OF ILLINOIS
DEPARTMENT OF TRANSPORTATION

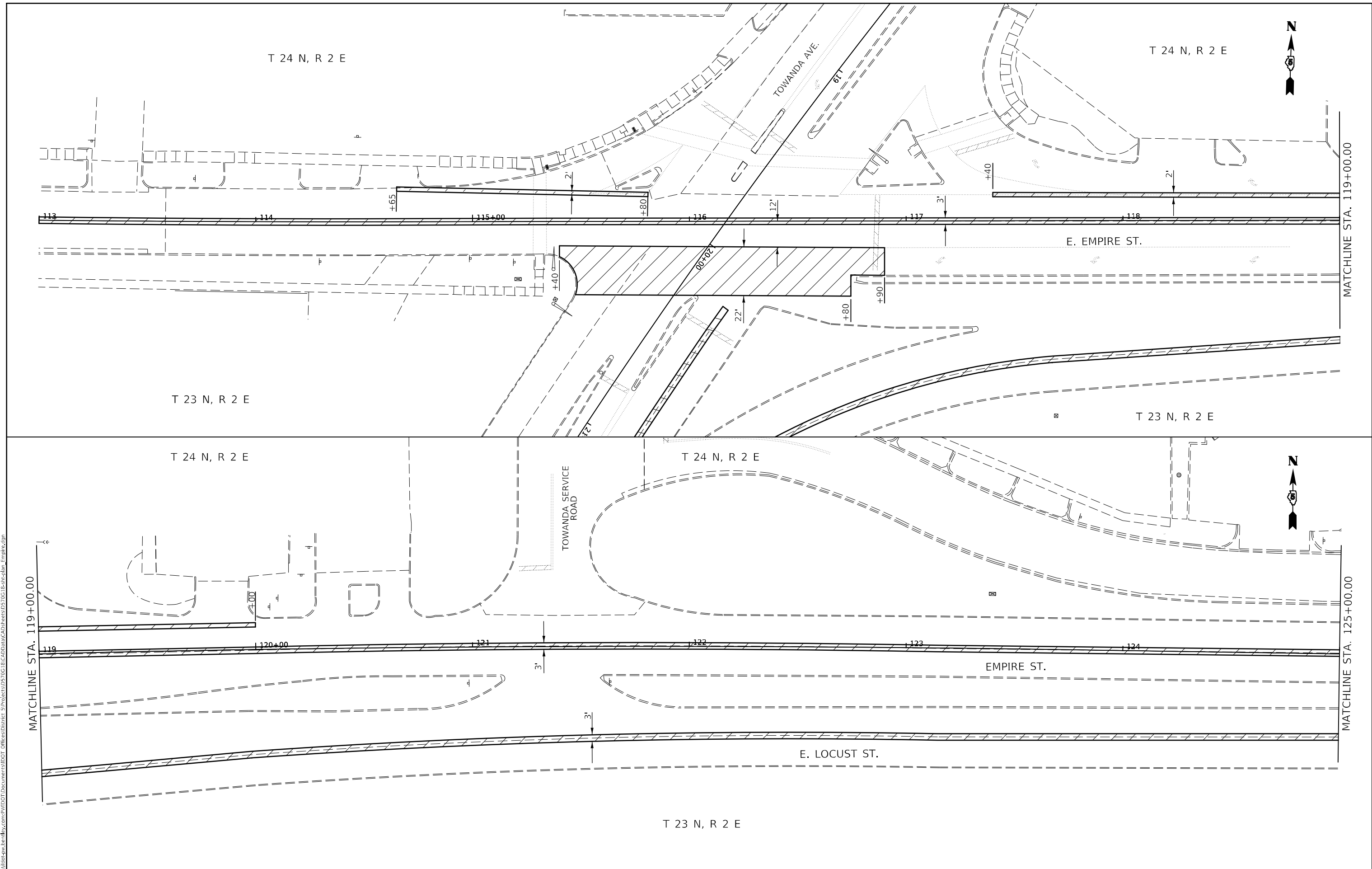
FAP 693 (IL RTE 9)
N TOWANDA AVE PLAN

SCALE: 1" = 20' SHEET 3 OF 3 SHEETS STA. 18+00.00 TO STA. 23+50.00

F.A.P. RTE.	SECTION	COUNTY	TOTAL SHEETS	SHEET NO.
693	(FR)-1	MCLEAN	28	16
ILLINOIS FED. AID PROJECT			CONTRACT NO. 70G18	

MATCHLINE STA. 23+50.00

MODEL: \\MODELS\MR\MS
 FILE: \\MAILS_P\public\paw_bentley.com\FW\DOT\Documents\DOT Office\Drawings\Project\0570G\0570G18\paw_bentley_Empire.dwg



USER NAME = Bridgette.Pierson	DESIGNED -	REVISED -
DRAWN -	REVISED -	
PLOT SCALE = 40,0000 * / in.	CHECKED -	REVISED -
PLOT DATE = 12/7/2022	DATE -	REVISED -

**STATE OF ILLINOIS
 DEPARTMENT OF TRANSPORTATION**

**FAP 693 (IL RTE 9)
 EMPIRE ST PLAN SHEET**

SCALE: 1" = 50' SHEET 1 OF 11 SHEETS STA. 113+00.00 TO STA. 125+00.00

F.A.P. RTE. 693	SECTION (FR)-1	COUNTY MCLEAN	TOTAL SHEETS 28	SHEET NO. 17
CONTRACT NO. 70G18			ILLINOIS FED. AID PROJECT	

T 24 N, R 2 E



MATCHLINE STA. 125+00.00

MATCHLINE STA. 131+00.00

FRONTAGE RD.

EMPIRE ST.

125+00

125+62.05

126

127

128

129

130+00

3'

3'

T 23 N, R 2 E

MODEL: \\MODEL\MAR\FE
FILE: MAR\FE_Plan\Bentley.com\PIV\DOT\Documents\DOT Office\Dir\dir: S:\Project\0570G\B\CAD\DATA\CAD\Sheets\0570G\B\Plan\plan_Empire.dgn

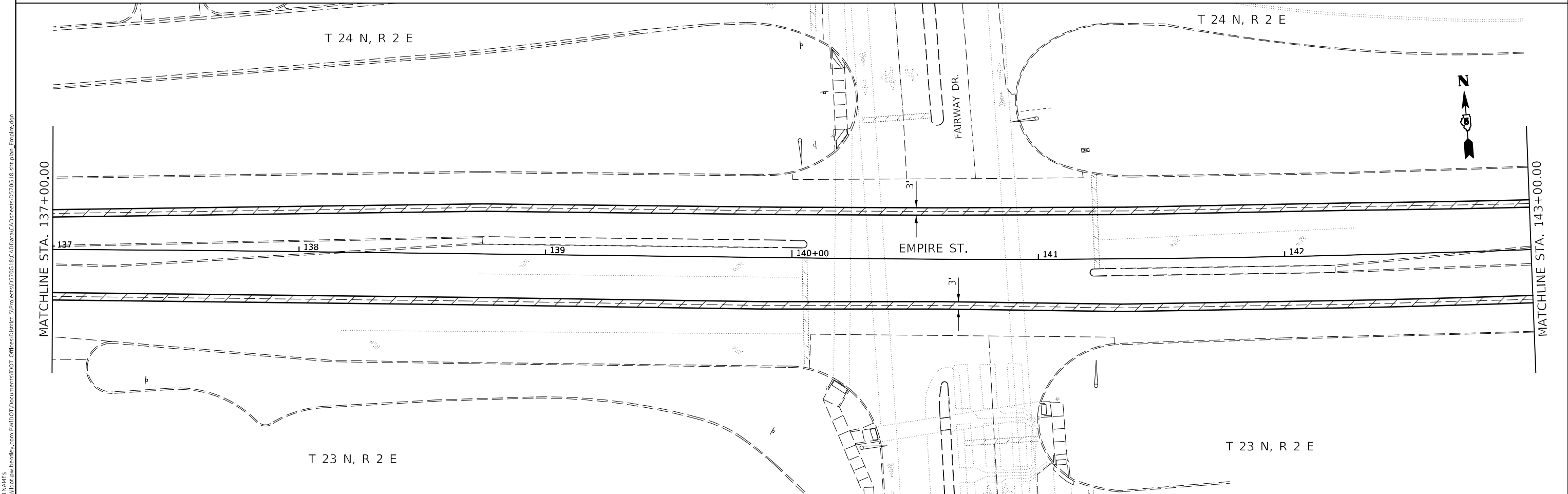
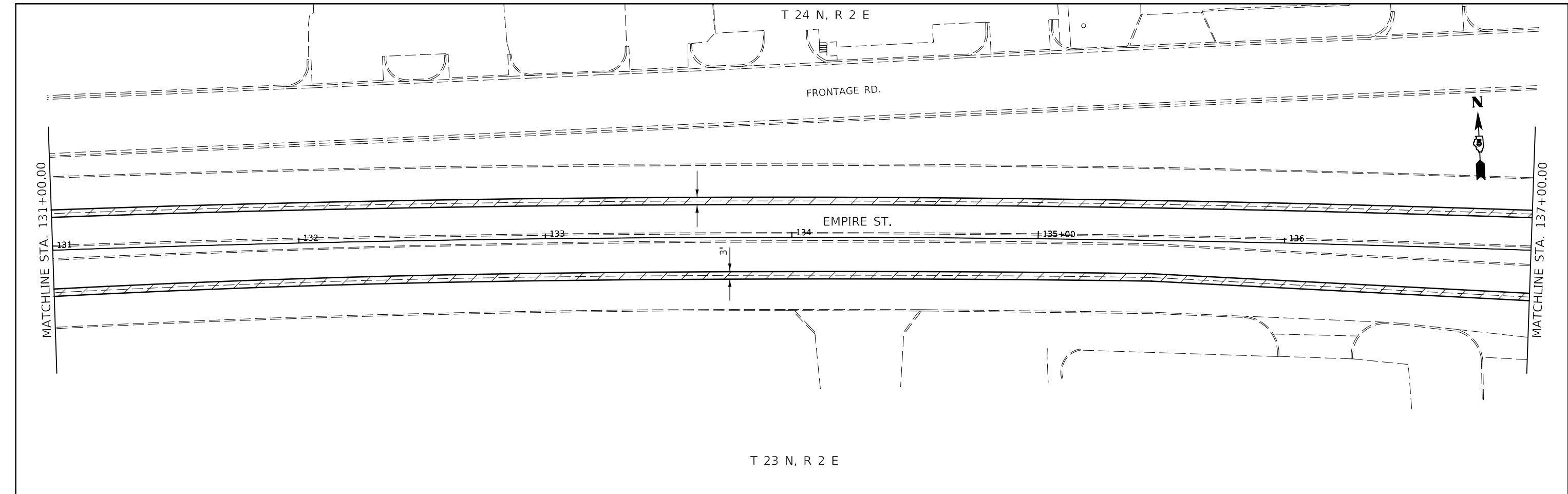
USER NAME = Bridgette.Pierson	DESIGNED -	REVISED -
DRAWN -	REVISED -	
PLOT SCALE = 40,0000 */ in.	CHECKED -	REVISED -
PLOT DATE = 12/7/2022	DATE -	REVISED -

**STATE OF ILLINOIS
DEPARTMENT OF TRANSPORTATION**

**FAP 693 (IL RTE 9)
EMPIRE ST PLAN SHEET**

SCALE: 1" = 50' SHEET 2 OF 11 SHEETS STA. 125+00.00 TO STA. 131+00.00

F.A.P. RTE.	SECTION	COUNTY	TOTAL SHEETS	SHEET NO.
693	(FR)-1	MCLEAN	28	18
CONTRACT NO. 70G18			ILLINOIS FED. AID PROJECT	



MODEL: \\MODEL\MNMF
 FILE: \\MAILS_Plan\Illinois\70G\70G\00Data\CAD\Project\0570G\18-sh-plan_Empire.dwg
 Project: 0570G\00Data\CAD\Project\0570G\18-sh-plan_Empire.dwg

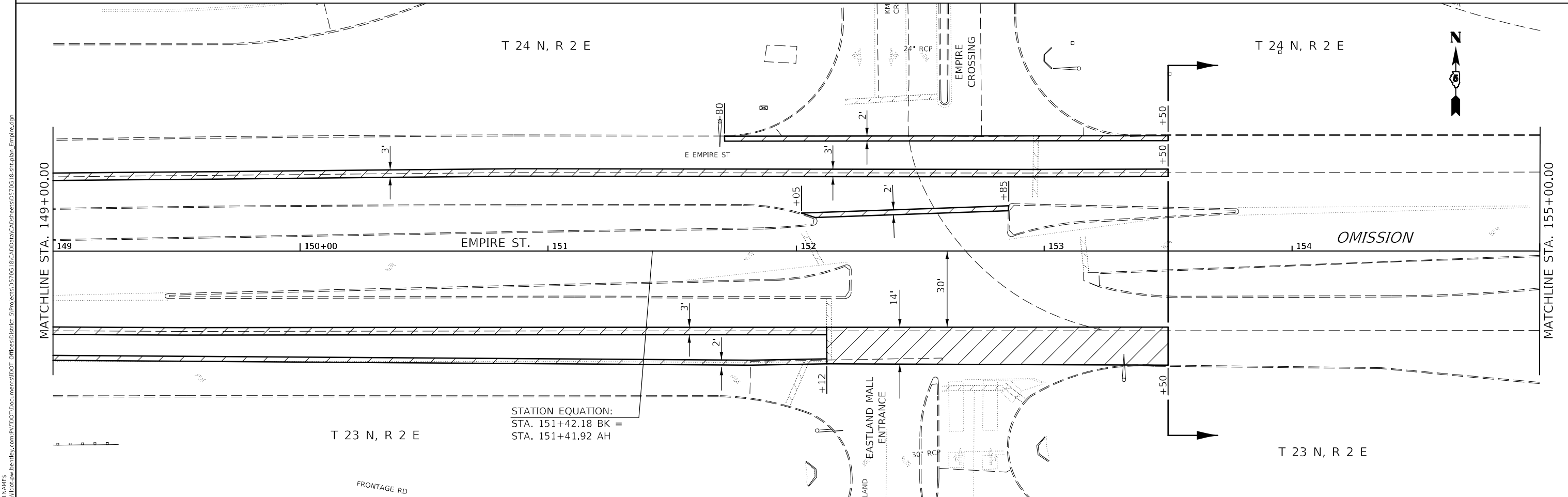
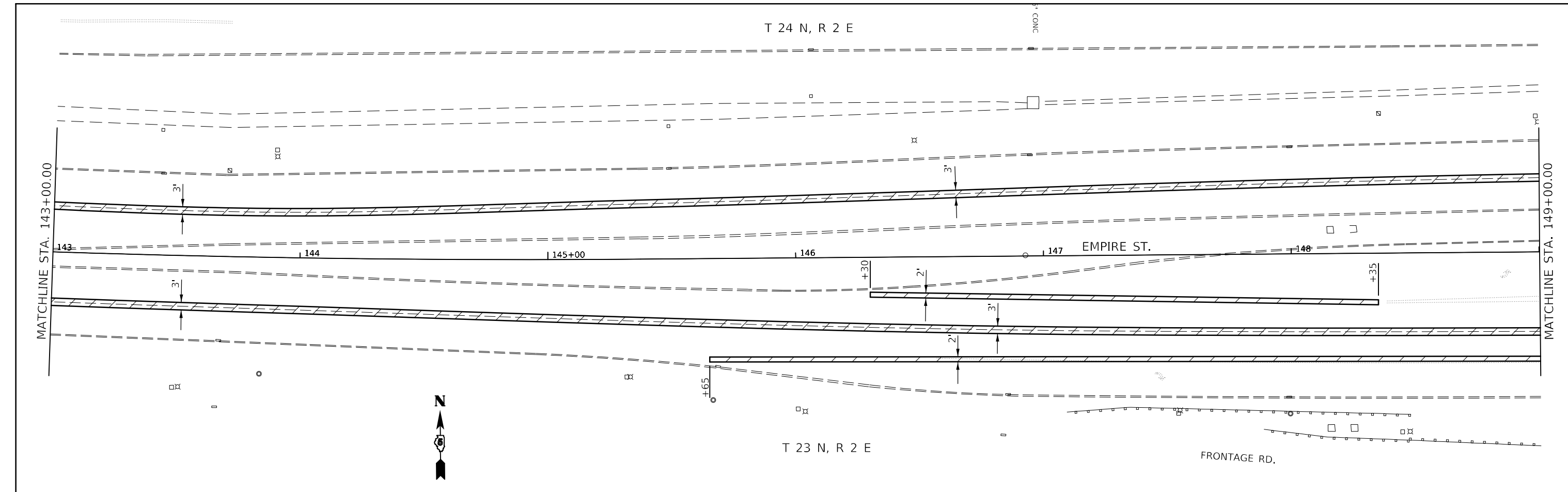
USER NAME = Bridgette.Pierson	DESIGNED -	REVISED -
PLOT SCALE = 40,0000 */ in.	DRAWN -	REVISED -
PLOT DATE = 12/7/2022	CHECKED -	REVISED -
	DATE -	REVISED -

STATE OF ILLINOIS
DEPARTMENT OF TRANSPORTATION

FAP 693 (IL RTE 9)
EMPIRE ST PLAN SHEET

SCALE: 1" = 50' SHEET 3 OF 11 SHEETS STA. 131+00.00 TO STA. 143+00.00

F.A.P. RTE.	SECTION	COUNTY	TOTAL SHEETS	SHEET NO.
693	(FR)I-1	MCLEAN	28	19
CONTRACT NO. 70G18				
ILLINOIS FED. AID PROJECT				



STATION EQUATION:
 STA. 151+42.18 BK =
 STA. 151+41.92 AH

MODEL: \\MODEL\MAME
 FILE: \\MAILS_Plan\11262346.bentley.com\PIV\DOT\Documents\DOT_Offices\Dir\Dir: S\Project\0570G\B\CAD\DATA\CAD\Sheet\0570G18\Plan\plan_Empire.dgn

USER NAME = Bridgette.Pierson	DESIGNED -	REVISED -
	DRAWN -	REVISED -
PLOT SCALE = 40,0000 * / in.	CHECKED -	REVISED -
PLOT DATE = 12/7/2022	DATE -	REVISED -

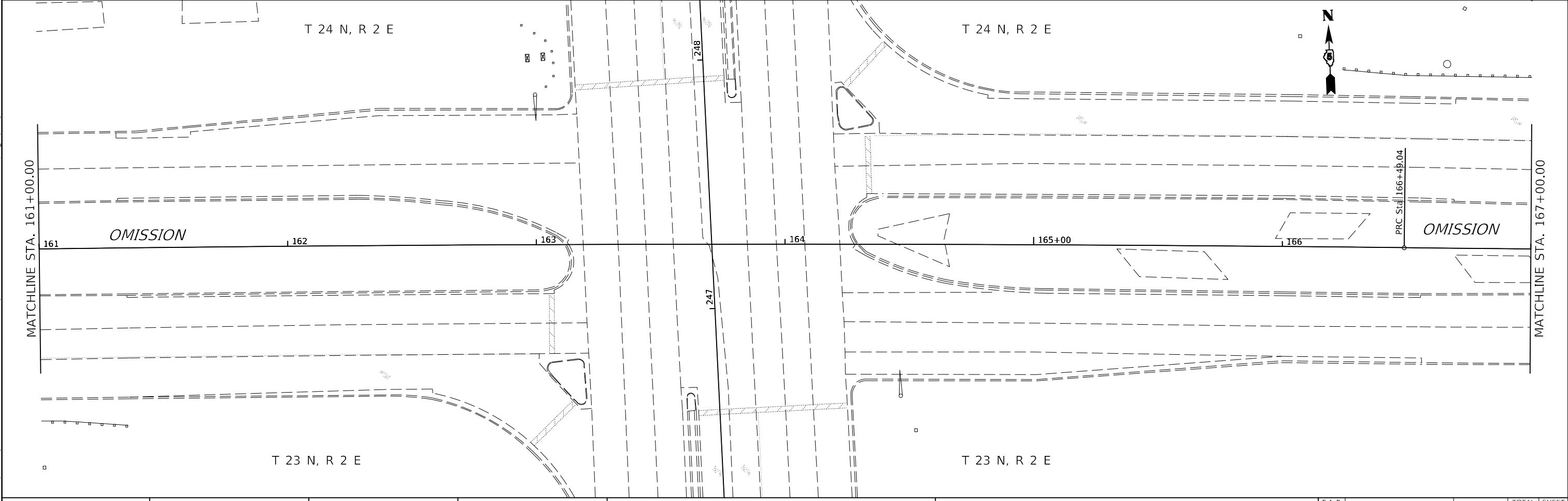
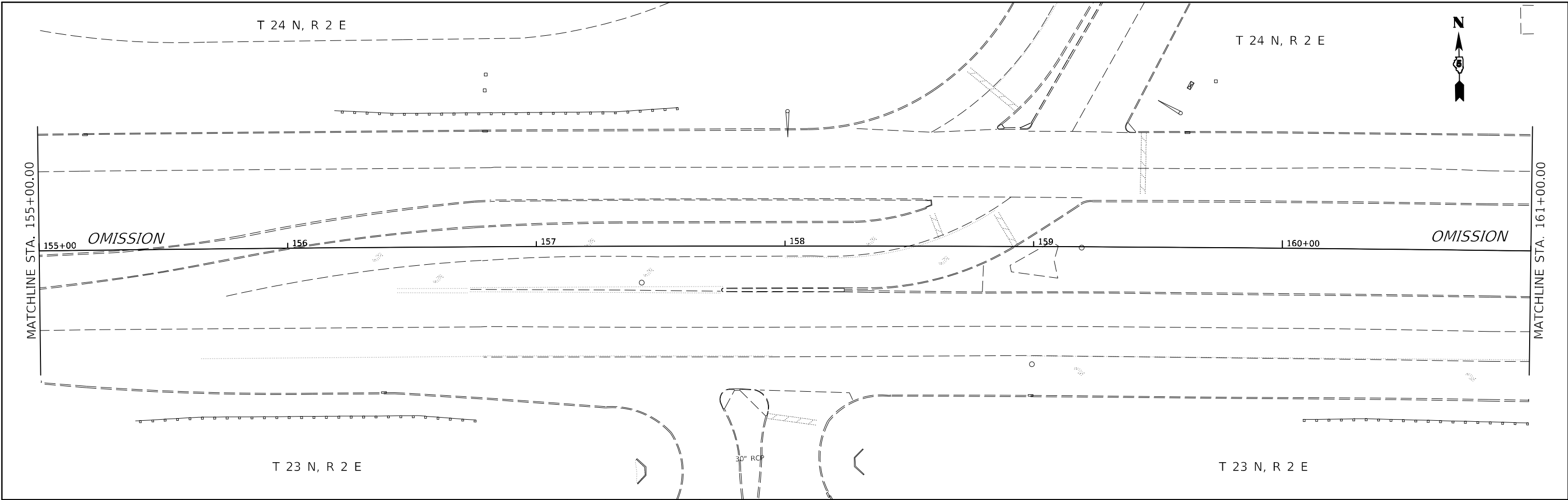
**STATE OF ILLINOIS
 DEPARTMENT OF TRANSPORTATION**

**FAP 693 (IL RTE 9)
 EMPIRE ST PLAN SHEET**

SCALE: 1" = 50' SHEET 4 OF 11 SHEETS STA. 143+00.00 TO STA. 155+00.00

F.A.P. RTE. 693	SECTION (FR)-1	COUNTY MCLEAN	TOTAL SHEETS 28	SHEET NO. 20
CONTRACT NO. 70G18			ILLINOIS FED. AID PROJECT	

MODEL: \\MODEL\MNMF
 FILE: \\MAILS_Plan\Illinois\bea\ex.com\PIV\DOT\Documents\DOT_Offices\Dir\dr: S:\Project\0570G_IL\CAD\DATA\CAD\Sheet\0570G_IL\Plan\plan_Empire.dgn



USER NAME = Bridgette.Pierson	DESIGNED -	REVISED -
	DRAWN -	REVISED -
PLOT SCALE = 40,0000 * / in.	CHECKED -	REVISED -
PLOT DATE = 12/7/2022	DATE -	REVISED -

STATE OF ILLINOIS
DEPARTMENT OF TRANSPORTATION

FAP 693 (IL RTE 9)
E EMPIRE ST PLAN SHEET

SCALE: 1" = 50' SHEET 5 OF 11 SHEETS STA. 155+00.00 TO STA. 167+00.00

F.A.P. RTE.	SECTION	COUNTY	TOTAL SHEETS	SHEET NO.
693	(FR)-1	MCLEAN	28	21
CONTRACT NO. 70G18				
ILLINOIS FED. AID PROJECT				

T 24 N, R 2 E

T 23 N, R 2 E

T 24 N, R 2 E

T 23 N, R 2 E

MATCHLINE STA. 167+00.00

MATCHLINE STA. 173+00.00

MATCHLINE STA. 173+00.00

MATCHLINE STA. 179+00.00

OMISSION

EMPIRE ST.

EMPIRE ST.

PROSPECT DRIVE

MT. VERNON DRIVE

18" CMP



MODEL: \\MODELS\MAME
FILE: \\MAILS_P\Public\paw_bendley.com\PI\DOT\Documents\DOT_Offices\Dir\Dir_5\Project\0570G_IL\CAD\DATA\CAD\Sheet\0570G_IL\Sheet\plan_Empire.dwg

USER NAME = Bridgette.Pierson	DESIGNED -	REVISED -
PLOT SCALE = 40,0000 * / in.	DRAWN -	REVISED -
PLOT DATE = 12/7/2022	CHECKED -	REVISED -
	DATE -	REVISED -

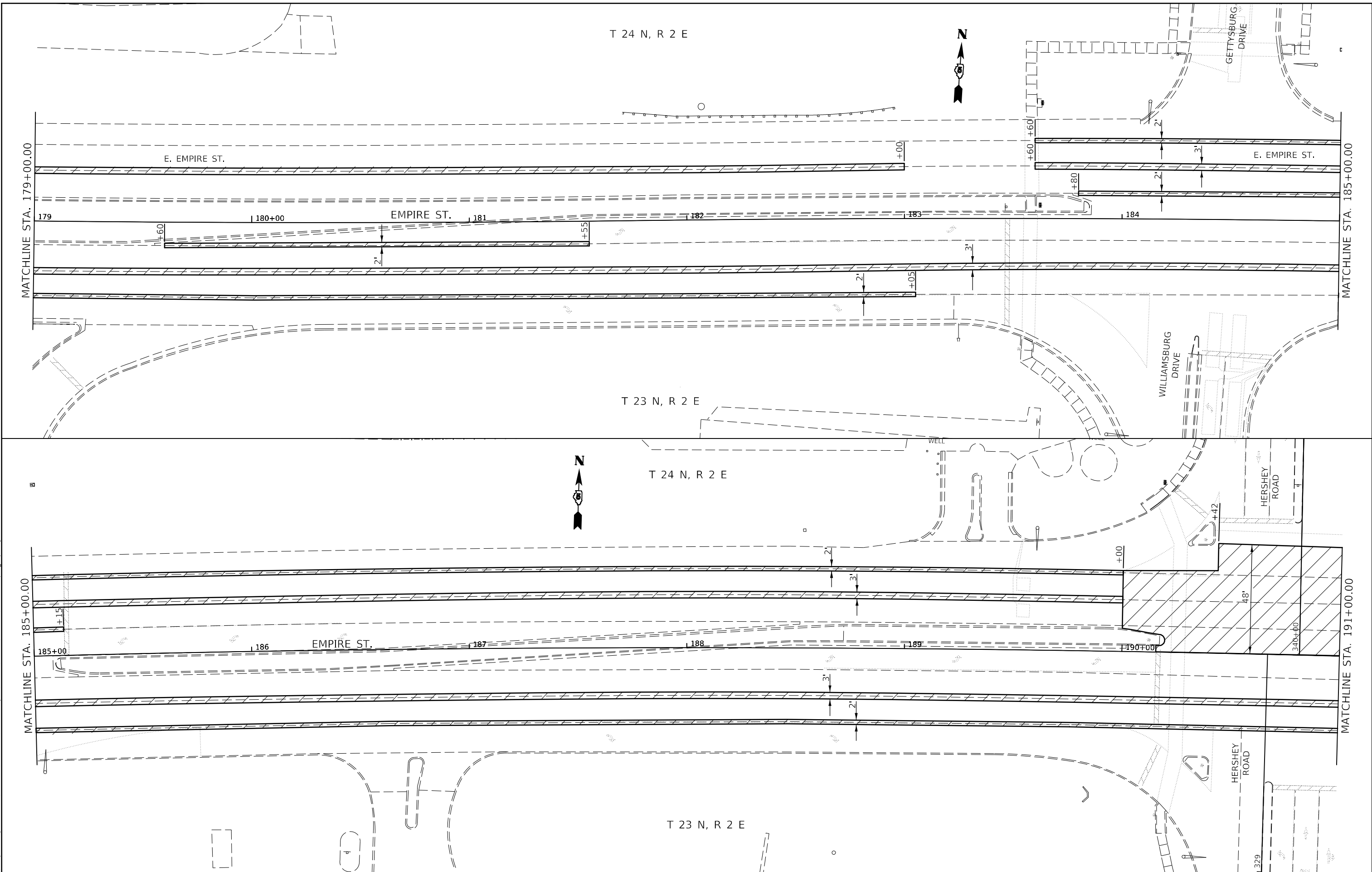
STATE OF ILLINOIS
DEPARTMENT OF TRANSPORTATION

FAP 693 (IL RTE 9)
EMPIRE ST PLAN SHEET

SCALE: 1" = 50' SHEET 6 OF 11 SHEETS STA. 167+00.00 TO STA. 179+00.00

F.A.P. RTE.	SECTION	COUNTY	TOTAL SHEETS	SHEET NO.
693	(FR)I-1	MCLEAN	28	22
CONTRACT NO. 70G18				
ILLINOIS FED. AID PROJECT				

MODEL: \\MODELS\MNF\...
 FILE: \\MAILS_P\...
 PROJECT: \\DOT...
 DRAWING: \\DOT...



USER NAME = Bridgette.Pierson	DESIGNED -	REVISED -
DRAWN -	REVISED -	REVISED -
PLOT SCALE = 40,0000 * / in.	CHECKED -	REVISED -
PLOT DATE = 12/7/2022	DATE -	REVISED -

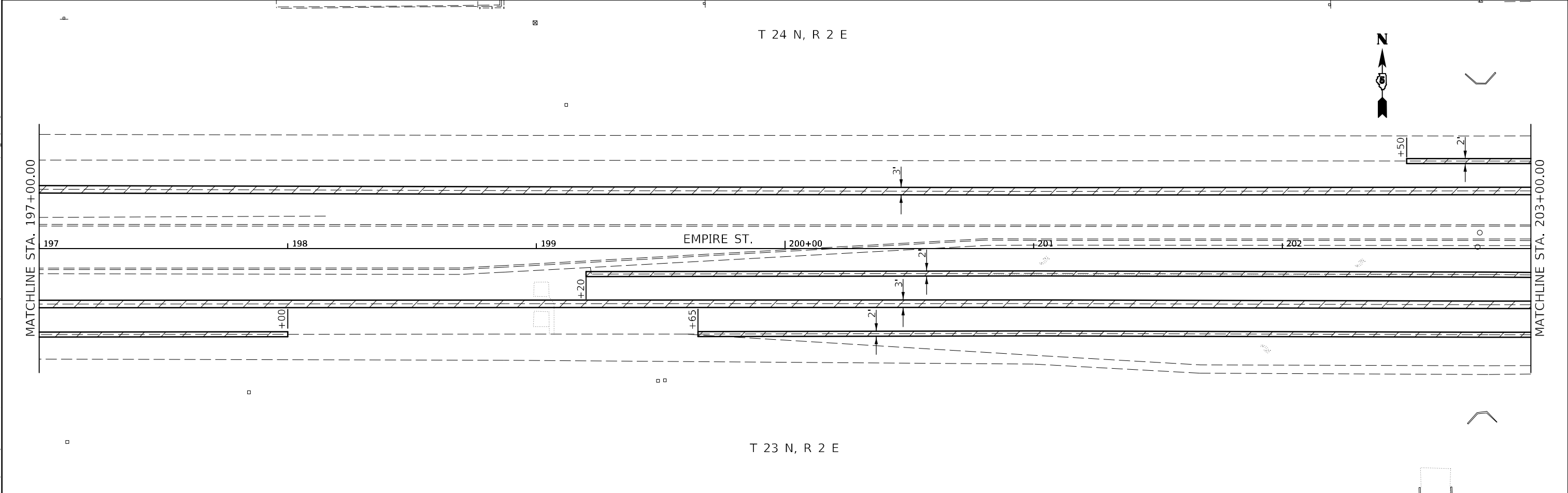
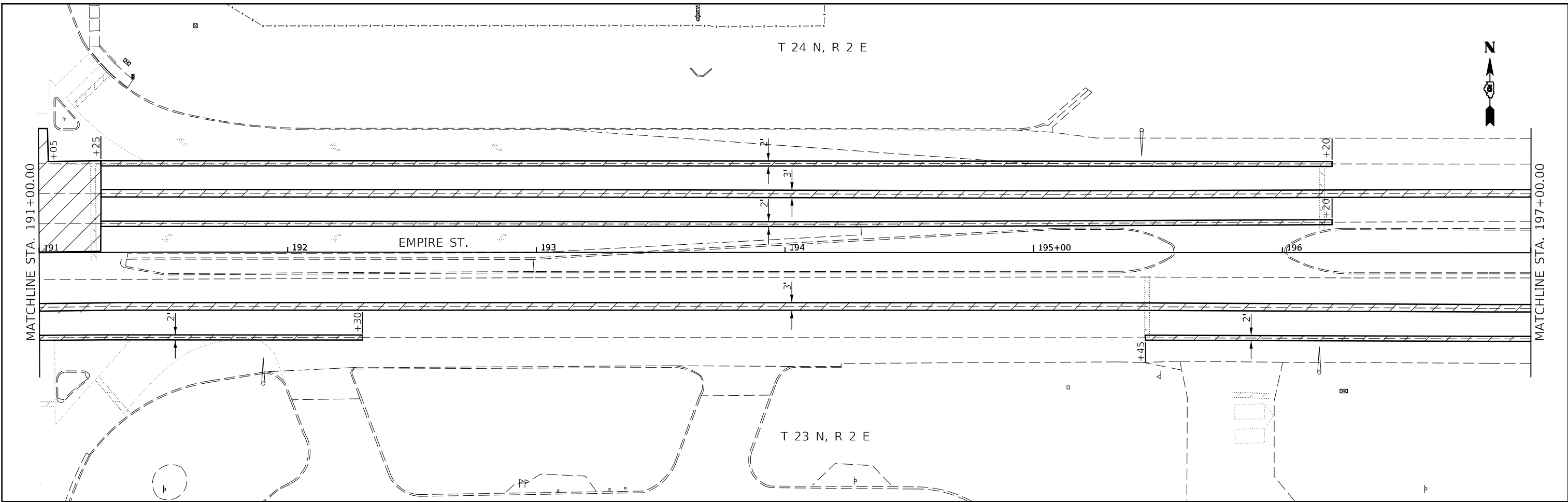
**STATE OF ILLINOIS
 DEPARTMENT OF TRANSPORTATION**

**FAP 693 (IL RTE 9)
 EMPIRE ST PLAN SHEET**

SCALE: 1" = 50' SHEET 7 OF 11 SHEETS STA. 179+00.00 TO STA. 191+00.00

F.A.P. RTE.	SECTION	COUNTY	TOTAL SHEETS	SHEET NO.
693	(FR)I-1	MCLEAN	28	23
CONTRACT NO. 70G18				
ILLINOIS FED. AID PROJECT				

MODEL: \\MODELS\MNMF
 FILE: \\MAILS_Plan\Illinois\paw_bentley.com\P\I\DOT\Documents\DOT_Offices\Dir\Dir: S\Project\70G_IL\CAD\DATA\CAD\Sheet\70G18\plan\plan_Empire.dwg



USER NAME = Bridgette.Pierson	DESIGNED -	REVISED -
DRAWN -	REVISED -	
PLOT SCALE = 40,0000 * / in.	CHECKED -	REVISED -
PLOT DATE = 12/7/2022	DATE -	REVISED -

**STATE OF ILLINOIS
 DEPARTMENT OF TRANSPORTATION**

**FAP 693 (IL RTE 9)
 E EMPIRE ST PLAN SHEET**

SCALE: 1" = 50' SHEET 8 OF 11 SHEETS STA. 191+00.00 TO STA. 203+00.00

F.A.P. RTE. 693	SECTION (FR)-1	COUNTY MCLEAN	TOTAL SHEETS 28	SHEET NO. 24
CONTRACT NO. 70G18			ILLINOIS FED. AID PROJECT	



T 24 N, R 2 E

MATCHLINE STA. 203+00.00

MATCHLINE STA. 209+00.00

E. EMPIRE ST.

E. EMPIRE ST.

+80

+55

203

204

205+00

206

EMPIRE ST.

207

208

+75

+75

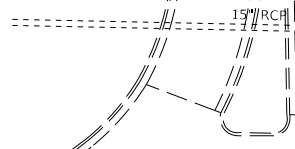
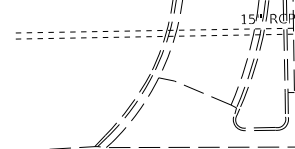
T 23 N, R 2 E

T 24 N, R 2 E



MATCHLINE STA. 209+00.00

MATCHLINE STA. 215+00.00



209

210+00

211

212

EMPIRE ST.

213

214

3'

+35

2'

T 23 N, R 2 E

MODEL: \\MODELS\MRF5
FILE: \\MRF5_Plan\112623a_bend.dwg, Project: 70G (IL)CAD\CAD\Projects\70G (IL)Rte\plan_Empire.dwg

USER NAME = Bridgette.Pierson	DESIGNED -	REVISED -
PLOT SCALE = 40,0000 */ in.	DRAWN -	REVISED -
PLOT DATE = 12/7/2022	CHECKED -	REVISED -
	DATE -	REVISED -

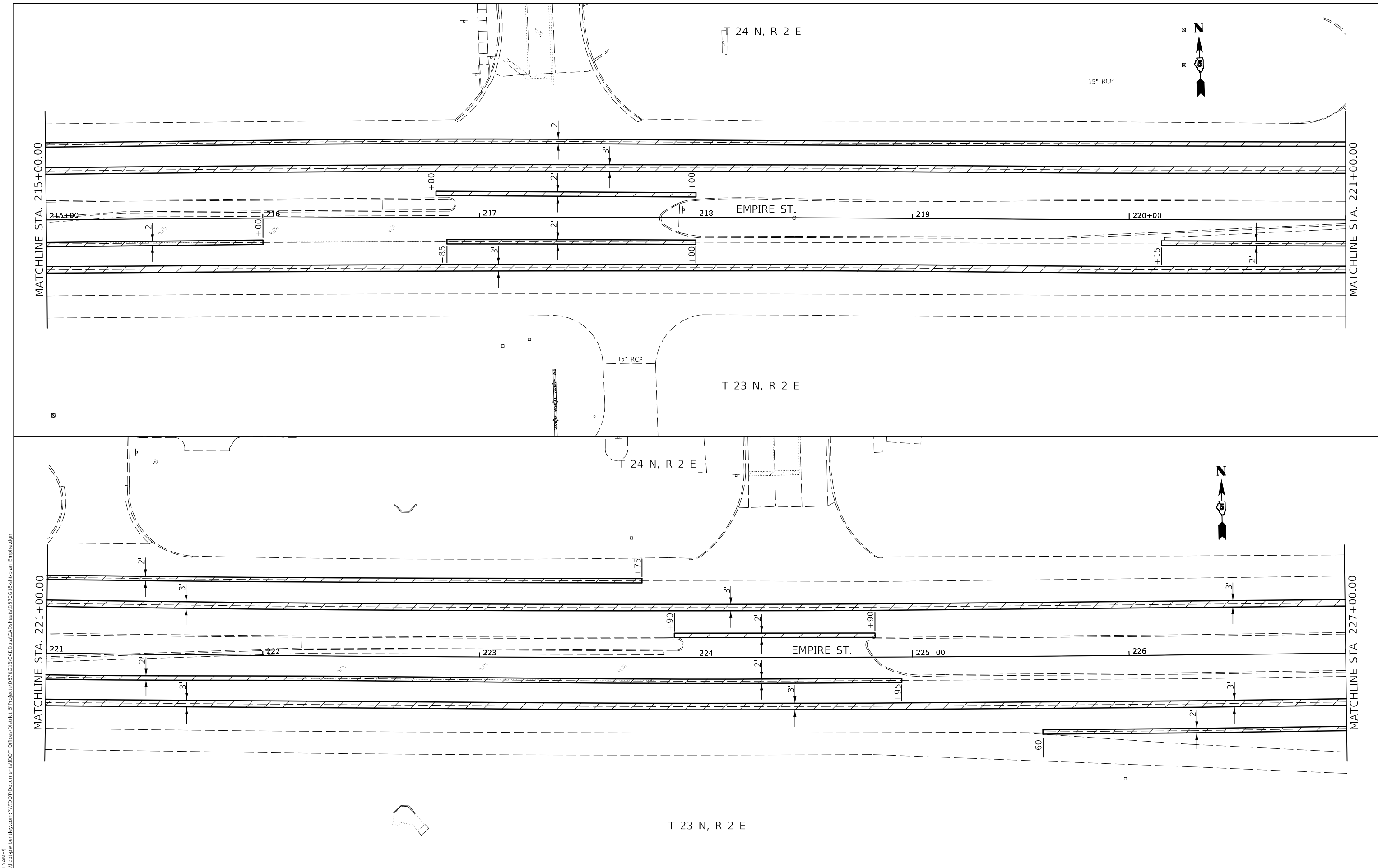
STATE OF ILLINOIS
DEPARTMENT OF TRANSPORTATION

FAP 693 (IL RTE 9)
EMPIRE ST PLAN SHEET

SCALE: 1" = 50' SHEET 9 OF 11 SHEETS STA. 203+00.00 TO STA. 215+00.00

F.A.P. RTE. 693	SECTION (FR)-1	COUNTY MCLEAN	TOTAL SHEETS 28	SHEET NO. 25
CONTRACT NO. 70G18			ILLINOIS FED. AID PROJECT	

MODEL: I:\MODELS\MHFE
 FILE: MHFE_Plan\IUCAD\CAD\Project\DOT\Office\Dir\Dir: S:\Project\70G\IUCAD\CAD\Project\70G\IUCAD\Plan_Empire.dwg



USER NAME = Bridgette.Pierson	DESIGNED -	REVISED -
	DRAWN -	REVISED -
PLOT SCALE = 40,0000 * / in.	CHECKED -	REVISED -
PLOT DATE = 12/7/2022	DATE -	REVISED -

**STATE OF ILLINOIS
 DEPARTMENT OF TRANSPORTATION**

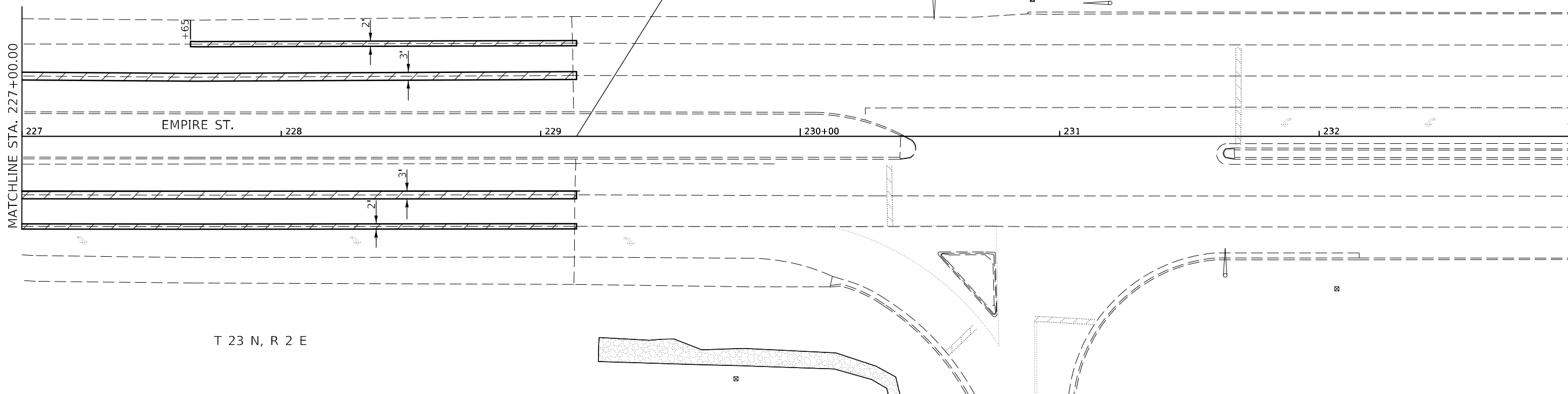
**FAP 693 (IL RTE 9)
 EMPIRE ST PLAN SHEET**

SCALE: 1" = 50' SHEET 10 OF 11 SHEETS STA. 215+00.00 TO STA. 227+00.00

F.A.P. RTE. 693	SECTION (FR)I-1	COUNTY MCLEAN	TOTAL SHEETS 28	SHEET NO. 26
CONTRACT NO. 70G18			ILLINOIS FED. AID PROJECT	

T 24 N, R 2 E

PROJECT ENDS
STATION 229+13.80



T 23 N, R 2 E

MODEL: I:\MODELS\MHMF
FILE: MHMF_Plan\IlicE\Plan\beadlax.com\FW\DOT\Documents\DOT Office\Dir\dir: S:\Project\0570G\B\CAD\DATA\CAD\Sheet\0570G\B\Sheet\plan_Empire.dwg

USER NAME = Bridgette.Pierson	DESIGNED -	REVISED -
DRAWN -	REVISED -	
PLOT SCALE = 40,0000 * / in.	CHECKED -	REVISED -
PLOT DATE = 12/7/2022	DATE -	REVISED -

STATE OF ILLINOIS
DEPARTMENT OF TRANSPORTATION

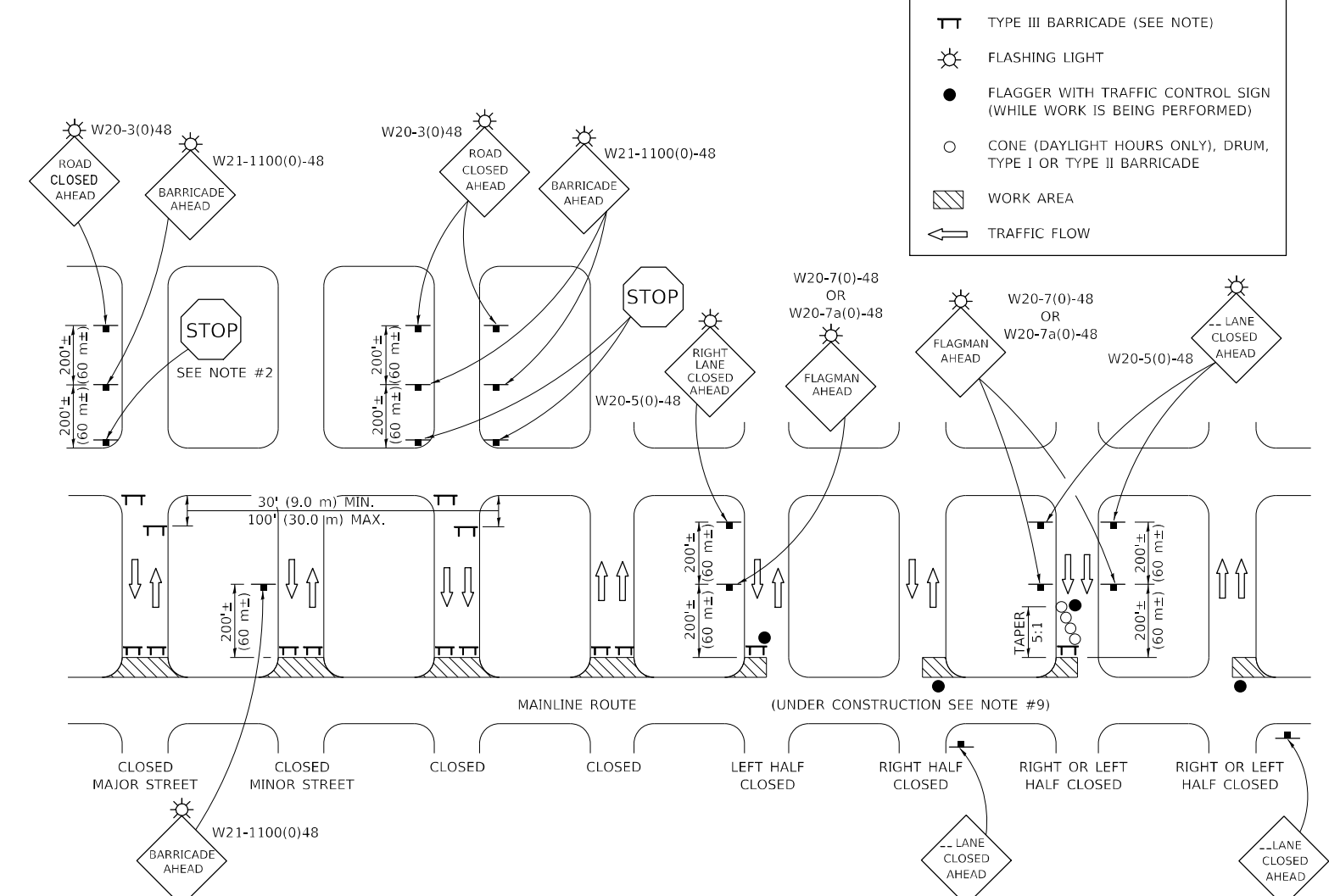
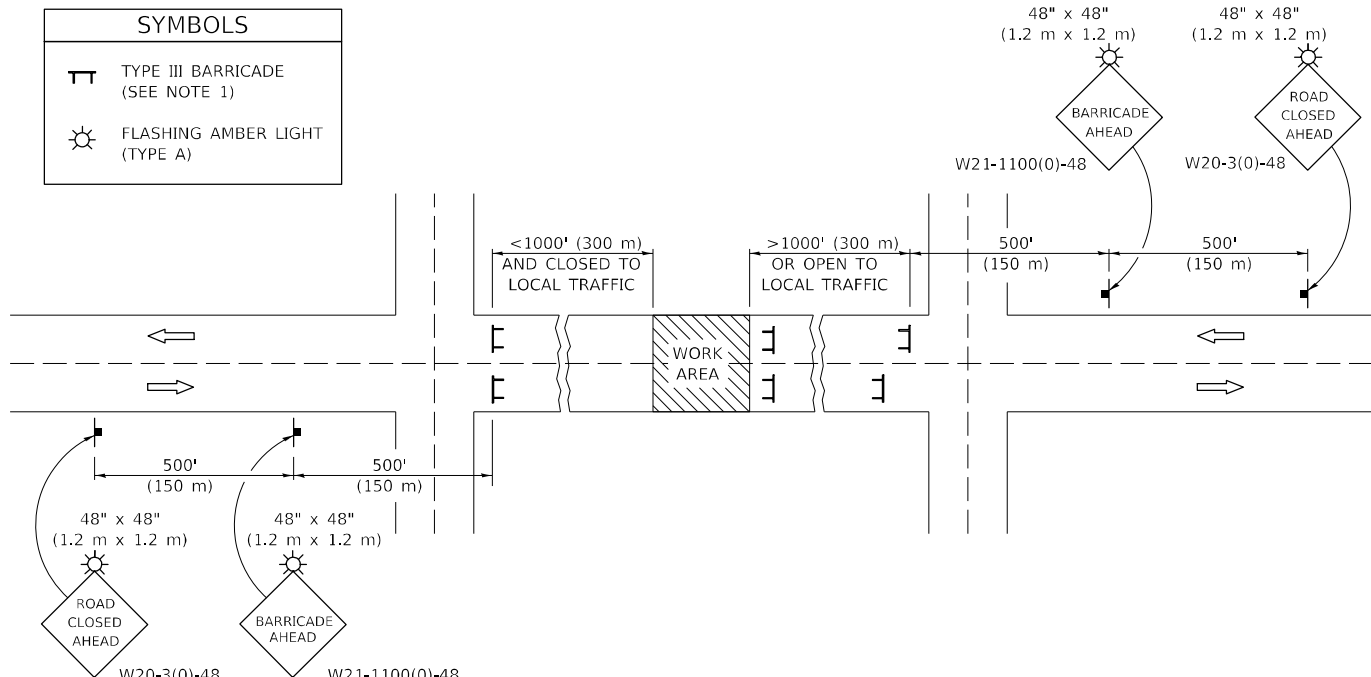
FAP 693 (IL RTE 9)
EMPIRE ST PLAN SHEET

SCALE: 1" = 50' SHEET 11 OF 11 SHEETS STA. 227+00.00 TO STA. 235+00.00

F.A.P. RTE.	SECTION	COUNTY	TOTAL SHEETS	SHEET NO.
693	(FR)-1	MCLEAN	28	27
			CONTRACT NO. 70G18	
		ILLINOIS FED. AID PROJECT		

ROAD CLOSURE

SIDEROAD / STREET CLOSURE



GENERAL NOTES

- TYPE III BARRICADES SHALL BE AS SHOWN ON STANDARD 701901 "TYPICAL APPLICATIONS OF TYPE III BARRICADES CLOSING A ROAD". EACH TYPE III BARRICADE SHALL HAVE TWO FLASHING AMBER LIGHTS MOUNTED ABOVE IT.
- IF THE ROAD IS OPEN TO LOCAL TRAFFIC OR EXCEEDS 1000' (300 m), ANOTHER SET OF TYPE III BARRICADES, EQUIPPED AS IN NOTE 1 ABOVE, SHALL BE PLACED AT EACH END OF THE WORK AREA.
- WHEN A STOP CONDITION EXISTS, NO SIGNS ARE REQUIRED IN ADVANCE OF THE "STOP" SIGN WHEN THE ROAD IS CLOSED WITHIN 100' (30 m) OF THE INTERSECTION.
- STANDARD 701901 SHALL APPLY FOR THE PLACEMENT & DESIGN OF TYPE III BARRICADES.
- IF A TYPE III BARRICADE WITH AN ATTACHED SIGN PANEL WHICH MEETS NCHRP 350 IS NOT AVAILABLE, THE SIGNS MAY BE MOUNTED ON AN NCHRP 350 TEMPORARY SIGN SUPPORT DIRECTLY IN FRONT OF THE BARRICADE.
- REFLECTORIZED STRIPING SHALL APPEAR ON BOTH SIDES OF THE TYPE III BARRICADES IF ROAD IS OPEN TO LOCAL TRAFFIC.
- ALL SIGNS SHALL BE POST MOUNTED IF THE CLOSURE TIME EXCEEDS FOUR DAYS.
- A MINIMUM OF TWO FLASHING LIGHTS SHALL BE USED AT NIGHT ON EACH APPROACH IN ADVANCE OF THE WORK AREA. FLASHING LIGHTS SHALL BE INSTALLED ABOVE THE FIRST TWO SIGNS IN THE SERIES.
- LONGITUDINAL DIMENSIONS MAY BE ADJUSTED SLIGHTLY TO FIT FIELD CONDITIONS.
- FORMS BT. 725 AND BT. 726 ARE REQUIRED.
- WHEN A SIDEROAD INTERSECTS THE HIGHWAY ON WHICH WORK IS BEING PERFORMED, ADDITIONAL TRAFFIC DEVICES SHALL BE ERECTED AND PROVIDED AS DIRECTED BY THE ENGINEER.
- AN ADDITIONAL SIGN MAY BE REQUIRED AT A MAJOR INTERSECTING ROAD IN ADVANCE OF THE CLOSURE. THE ADDITIONAL SIGN SHALL GIVE THE DISTANCE TO THE BARRICADE IN MILES OR FRACTIONS OF A MILE.

GENERAL NOTES

- TYPE III BARRICADES SHALL BE AS SHOWN ON "TYPICAL APPLICATIONS OF TYPE III BARRICADES CLOSING A ROAD". EACH TYPE III BARRICADE SHALL HAVE TWO FLASHING AMBER LIGHTS MOUNTED ABOVE IT.
- WHERE A STOP CONDITION EXISTS, AS SHOWN ABOVE, WARNING SIGNS MAY BE OMITTED IN ADVANCE OF THE "STOP" SIGN.
- STANDARD 701901 SHALL APPLY FOR THE PLACEMENT & MANUFACTURE OF TYPE III BARRICADES.
- ALL SIGNS SHALL BE POST MOUNTED IF THE CLOSURE TIME EXCEEDS FOUR DAYS.
- ONE FLASHING LIGHT IS REQUIRED ABOVE EACH ADVANCE WARNING SIGN DURING HOURS OF DARKNESS.
- LONGITUDINAL DIMENSIONS MAY BE ADJUSTED SLIGHTLY TO FIT FIELD CONDITIONS.
- FORMS BT 725 AND BT 726 ARE REQUIRED.
- THE MAINLINE ROUTE TEMPORARY TRAFFIC CONTROL SHALL BE IN ACCORDANCE WITH THE PLANS, SPECIAL PROVISIONS AND STANDARD SPECIFICATIONS.
- ALL FLAGGERS REQUIRED AT SIDE ROADS AND ENTRANCES REMAINING OPEN TO TRAFFIC AND/OR ADDITIONAL BARRICADES REQUIRED BY THE ENGINEER TO CLOSE SIDE ROADS AND ENTRANCES WILL BE PAID FOR ACCORDING TO ARTICLE 109.04.

Note: All dimensions are in INCHES (millimeters) unless otherwise shown.

MODEL: I:\MODELS\MHFE... FILE NAME: ...

USER NAME = Bridgette.Pierson	DESIGNED -	REVISED - 11/06
	DRAWN -	REVISED - 12/07
PLOT SCALE = 40,0000 * / in.	CHECKED -	REVISED - 09/09 KJT
PLOT DATE = 12/7/2022	DATE -	REVISED -

**STATE OF ILLINOIS
DEPARTMENT OF TRANSPORTATION**

**TRAFFIC CONTROL & PROTECTION DEVICES
(ROAD & SIDEROAD / STREET CLOSURES)**

SCALE: NONE SHEET 1 OF 1 SHEETS STA. TO STA.

DISTRICT 5 DETAIL NO. 7020000				
F.A.P. RTE.	SECTION	COUNTY	TOTAL SHEETS	SHEET NO.
693	(FR)-1	MCLEAN	28	28
			CONTRACT NO. 70G18	
		ILLINOIS	FED. AID PROJECT	