

INDEX OF SHEETS

1. COVER SHEET
2. GENERAL NOTES
- 3-4. SUMMARY OF QUANTITIES
5. TYPICAL SECTIONS
- 6-7. SCHEDULES
8. TRAFFIC CONTROL AND PROTECTION, STANDARD 701400
9. TRAFFIC CONTROL AND PROTECTION, STANDARD 701402
10. TYPICAL PAVEMENT MARKING

HIGHWAY STANDARDS

- 000001-08 STANDARD SYMBOLS, ABBREVIATIONS AND PATTERNS
- 001006 DECIMAL OF AN INCH AND OF A FOOT
- 701101-05 OFF-ROAD OPERATIONS, MULTILANE, 15' (4.5 m) TO 24' (600 mm) FROM PAVEMENT EDGE
- 701106-02 OFF-ROAD OPERATIONS, MULTILANE, MORE THAN 15' (4.5 m) AWAY
- 701426-09 LANE CLOSURE, MULTILANE INTERMITTENT OR MOVING OPERATION, FOR SPEEDS ≥ 45 MPH
- 701428-01 TRAFFIC CONTROL, SETUP AND REMOVAL, FREEWAY/EXPRESSWAY
- 701901-08 TRAFFIC CONTROL DEVICES
- 704001-08 TEMPORARY CONCRETE BARRIER
- 782006-01 GUARDRAIL AND BARRIER WALL REFLECTOR MOUNTING DETAILS

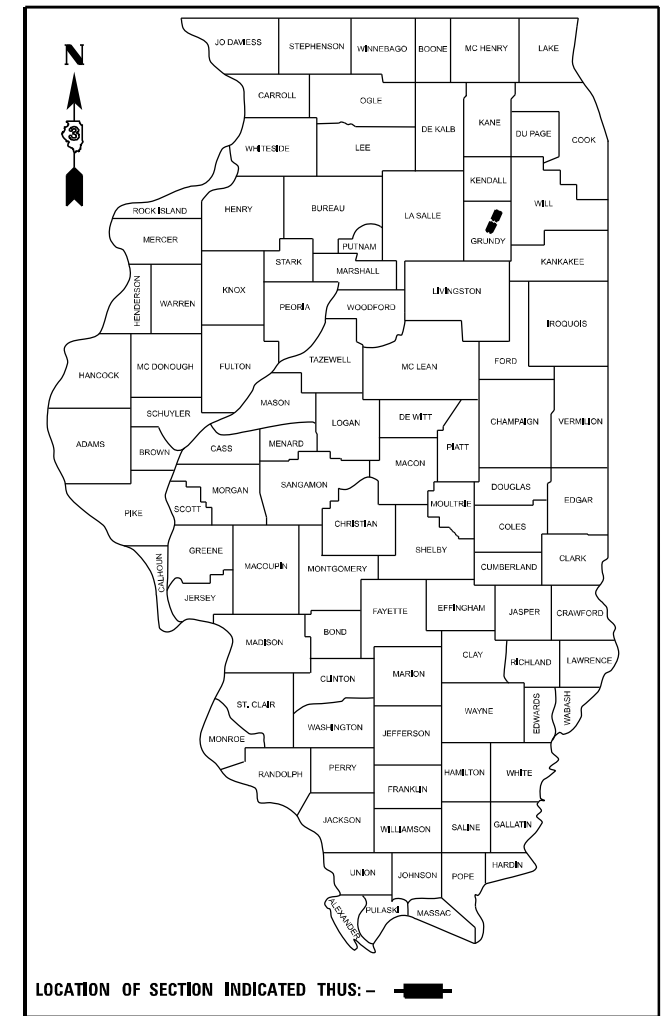
**STATE OF ILLINOIS
DEPARTMENT OF TRANSPORTATION**

**PROPOSED
HIGHWAY PLANS**

**F.A.I. ROUTE 55 (I-55)
SECTION (32-1BR,32-1VBR)BP
PROJECT NHPP-H2E0(028)
BRIDGE PAINTING
GRUNDY COUNTY**

F.A.I. RTE.	SECTION	COUNTY	TOTAL SHEETS	SHEET NO.
55	(32-1BR,32-1VBR)BP	GRUNDY	10	1
		ILLINOIS	CONTRACT NO. 66N04	

D-93-012-23



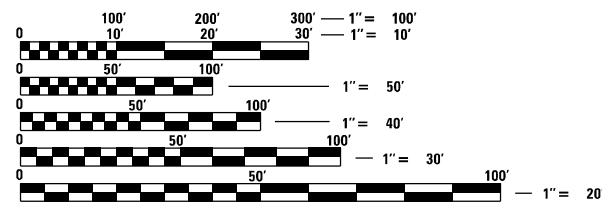
LOCATION 1
STRUCTURE NO. 032-0005 (NB)
CARRYING F.A.I. ROUTE 55 (I-55)
OVER THE MAZON RIVER
4.1 MI. SOUTH OF REED RD.

LOCATION 2
STRUCTURE NO. 032-0006 (SB)
CARRYING F.A.I. ROUTE 55 (I-55)
OVER THE MAZON RIVER
4.1 MI. SOUTH OF REED RD.

LOCATION 3
STRUCTURE NO. 032-0007 (NB)
CARRYING F.A.I. ROUTE 55 (I-55)
OVER THE UNION PACIFIC RAILROAD
3.2 MI. SOUTH OF REED RD.

LOCATION 4
STRUCTURE NO. 032-0008 (SB)
CARRYING F.A.I. ROUTE 55 (I-55)
OVER THE UNION PACIFIC RAILROAD
3.2 MI. SOUTH OF REED RD.

C-93-032-23



FULL SIZE PLANS HAVE BEEN PREPARED USING STANDARD ENGINEERING SCALES, REDUCED SIZED PLANS WILL NOT CONFORM TO STANDARD SCALES. IN MAKING MEASUREMENTS ON REDUCED PLANS, THE ABOVE SCALES MAY BE USED.

J.U.L.I.E.
JOINT UTILITY LOCATION INFORMATION FOR EXCAVATION
1-800-892-0123
OR 811

PROJECT ENGINEER: YOGESH PATEL P.E.
UNIT CHIEF: RON WOODSHANK

CONTRACT NO. 66N04



POINT LOCATIONS

FUNCTIONAL CLASSIFICATION

RURAL/URBAN INTERSTATE

F.A.I. ROUTE 55 (I-55)

2021 ADT = 23,300

P.V. 72.6 % S.U. 2.7 % M.U. 24.7 %

STATE OF ILLINOIS
DEPARTMENT OF TRANSPORTATION

SUBMITTED December 16, 20 22

[Signature]
REGIONAL ENGINEER

February 3, 2023
[Signature]
ENGINEER OF DESIGN AND ENVIRONMENT

February 3, 2023
[Signature]
DIRECTOR OF HIGHWAYS PROJECT IMPLEMENTATION

**PRINTED BY THE AUTHORITY
OF THE STATE OF ILLINOIS**

GENERAL NOTES

PLAN DIMENSIONS AND DETAILS RELATIVE TO EXISTING PLANS ARE SUBJECT TO NOMINAL CONSTRUCTION VARIATIONS. THE CONTRACTOR SHALL FIELD VERIFY EXISTING DIMENSIONS AND DETAILS AFFECTING NEW CONSTRUCTION AND MAKE NECESSARY APPROVED ADJUSTMENTS PRIOR TO CONSTRUCTION OR ORDERING OF MATERIALS. SUCH VARIATIONS SHALL NOT BE CAUSE FOR ADDITIONAL COMPENSATION FOR A CHANGE IN SCOPE OF WORK; HOWEVER, THE CONTRACTOR WILL BE PAID FOR THE QUANTITY ACTUALLY FURNISHED AT THE UNIT PRICE BID FOR THE WORK.

STRUCTURE NO. 032-0005 (NB) SHALL BE CONSIDERED AS "LOCATION NO. 1".

STRUCTURE NO. 032-0006 (SB) SHALL BE CONSIDERED AS "LOCATION NO. 2".

STRUCTURE NO. 032-0007 (NB) SHALL BE CONSIDERED AS "LOCATION NO. 3".

STRUCTURE NO. 032-0008 (SB) SHALL BE CONSIDERED AS "LOCATION NO. 4".

THE EXISTING STRUCTURAL STEEL COATINGS FOR THESE STRUCTURES CONTAIN LEAD THE SSPC-QP1 AND SSPC-QP2 "PAINTING CONTRACT CERTIFICATIONS" WILL BE REQUIRED FOR THESE STRUCTURES.

A MINIMUM OF TWO AIR MONITORS SHALL BE REQUIRED FOR EACH STRUCTURE. THE CONTRACTOR SHALL FURNISH AND INSTALL THE MONITORS AT LOCATIONS AS DESIGNATED BY THE ENGINEER.

CLEANING AND PAINTING EXISTING STRUCTURAL STEEL

CLEANING AND PAINTING OF EXISTING STRUCTURAL STEEL SHALL BE AS SPECIFIED IN THE SPECIAL PROVISION FOR "CLEANING AND PAINTING EXISTING STRUCTURAL STEEL STRUCTURES" AND AS SPECIFIED BELOW.

- a) ALL EXISTING STRUCTURAL STEEL, (INCLUDING BEAMS/GIRDERS, DIAPHRAGMS CROSS/LATERAL FRAMING, STEEL COMPONENTS OF EXISTING BEARINGS, STEEL FLOOR DRAINS (WHEN PRESENT), STEEL HANDRAILS (WHEN PRESENT) SHALL BE CLEANED PER THE REQUIREMENTS OF "NEAR WHITE BLAST CLEANING - SSPC-SP-10".
- b) ALL EXISTING STRUCTURAL STEEL (INCLUDING BEAMS/GIRDERS, DIAPHRAGMS CROSS/LATERAL FRAMING, STEEL COMPONENTS OF EXISTING BEARINGS, STEEL FLOOR DRAINS (WHEN PRESENT), STEEL HANDRAILS (WHEN PRESENT) SHALL BE PAINTED PER THE REQUIREMENTS OF "PAINT SYSTEM 1-OZ/E/U".
 - 1) THE FINAL FINISH COAT FOR ALL INTERIOR STRUCTURAL STEEL SHALL BE "GRAY, MUNSELL O. 5B 7/1".
 - 2) THE FINAL FINISH COAT FOR THE EXTERIOR FACE, BOTTOM FLANGE AND BEARING ASSEMBLIES OF THE FASCIA BEAMS SHALL BE "GREEN, MUNSELL NO. 7.5G 1/2".

THE CONTRACTOR SHALL BE REQUIRED TO SECURE WASTE CONTAINERS THAT REMAIN ON THE JOB SITE. THIS WILL ENTAIL THAT ALL WASTE CONTAINERS CANNOT BE MOVED OR OPENED DURING NON-WORKING HOURS.

WORKING DAYS SHALL BE CHARGED UNTIL THE CONTRACTOR OR SUBCONTRACTOR LICENSED TO DISPOSE OF LEAD OR NON-LEAD PAINT RESIDUES HAS REMOVED THE WASTE MATERIAL FROM THE JOB SITE ACCORDING TO ALL FEDERAL, STATE AND LOCAL LAWS AND ORDINANCES. IF THE LICENSED CONTRACTOR OR SUBCONTRACTOR FAILS TO DISPOSE OF THE LEAD OR NON-LEAD PAINT RESIDUES ON OR BEFORE THE SPECIFIED COMPLETION DATE, LIQUATED DAMAGES SHALL BE CHARGED PER CALENDAR DAY ACCORDING TO ARTICLE 108.09 OF THE SPECIFICATIONS UNTIL SUCH TIME THAT ALL PAINT RESIDUE MATERIALS HAVE BEEN REMOVED AND DISPOSED OF.

COMMITMENTS

STATE OF ILLINOIS
DEPARTMENT OF TRANSPORTATION
DISTRICT THREE
AS BUILT INFORMATION

	DATE: _____	
SUPERVISING CONSTRUCTION FIELD ENGINEER		
RESIDENT ENGINEER / TECHNICIAN	PREPARED BY:	DISTRICT STUDIES & PLANS ENGINEER
	EXAMINED BY:	DISTRICT CONSTRUCTION ENGINEER
		DISTRICT MATERIALS ENGINEER
		DISTRICT OPERATIONS ENGINEER

START & END DATES
OF CONSTRUCTION:

INSPECTORS:

STATE OF ILLINOIS
DEPARTMENT OF TRANSPORTATION

GENERAL NOTES

SCALE: _____ SHEET 1 OF 1 SHEETS STA. _____ TO STA. _____

F.A.I. RTE.	SECTION	COUNTY	TOTAL SHEETS	SHEET NO.
55	(32-1BR,32-1VBR)BP	GRUNDY	10	2
CONTRACT NO. 66N04				
ILLINOIS FED. AID PROJECT				

CODE NO.	ITEM	UNIT	TOTAL QUANTITY	CONSTRUCTION CODE	
				BRIDGE PAINTING	BRIDGE PAINTING
				90% FED / 10% STATE	90% FED / 10% STATE
				BRIDGE	BRIDGE
0047	0047	URBAN	RURAL		
67100100	MOBILIZATION	L SUM	1	0.5	0.5
70107025	CHANGEABLE MESSAGE SIGN	CAL DA	56	28	28
70400100	TEMPORARY CONCRETE BARRIER	FOOT	1175	575	600
70400200	RELOCATE TEMPORARY CONCRETE BARRIER	FOOT	1175	575	600
70600251	IMPACT ATTENUATORS, TEMPORARY (NON- REDIRECTIVE, NARROW), TEST LEVEL 3	EACH	2	1	1
70600352	IMPACT ATTENUATORS, RELOCATE (NON- REDIRECTIVE, NARROW), TEST LEVEL 3	EACH	2	1	1
* 78009006	MODIFIED URETHANE PAVEMENT MARKING - LINE 6"	FOOT	1960	980	980
78300202	PAVEMENT MARKING REMOVAL - WATER BLASTING	SQ FT	980	490	490
X0327999	ANTI-GRAFFITI COATING	SQ FT	9375	3830	5545
X2700001	TEMPORARY RUMBLE STRIPS (SPECIAL)	EACH	16	8	8
X5067501	BRIDGE CLEANING AND PAINTING WARRANTY NUMBER 1	L SUM	1	1	
X5067502	BRIDGE CLEANING AND PAINTING WARRANTY NUMBER 2	L SUM	1	1	
X5067503	BRIDGE CLEANING AND PAINTING WARRANTY NUMBER 3	L SUM	1		1
X5067504	BRIDGE CLEANING AND PAINTING WARRANTY NUMBER 4	L SUM	1		1

*= SPECIALTY ITEM

MODEL: D:\...
 FILE NAME: ...

USER NAME = ronald.woodshank	DESIGNED - RW	REVISED - _____
PLOT SCALE = 100.000' / in.	DRAWN - RW	REVISED - _____
PLOT DATE = 12/16/2022	CHECKED - YP	REVISED - _____
	DATE - 9/23/2022	REVISED - _____

STATE OF ILLINOIS
DEPARTMENT OF TRANSPORTATION

SUMMARY OF QUANTITIES

SCALE: _____ SHEET 1 OF 2 SHEETS STA. _____ TO STA. _____

F.A.I. RTE.	SECTION	COUNTY	TOTAL SHEETS	SHEET NO.
55	(32-1BR,32-1VBR)BP	GRUNDY	10	3
			CONTRACT NO. 66N04	
ILLINOIS FED. AID PROJECT				

CODE NO.	ITEM	UNIT	TOTAL QUANTITY	CONSTRUCTION CODE	
				BRIDGE PAINTING 90% FED / 10% STATE	BRIDGE PAINTING 90% FED / 10% STATE
				BRIDGE	BRIDGE
				0047 URBAN	0047 RURAL
X7010208	TRAFFIC CONTROL AND PROTECTION, STANDARD 701402 (SPECIAL)	EACH	4	2	2
Z0007101	CONTAINMENT AND DISPOSAL OF LEAD PAINT CLEANING RESIDUES NO. 1	L SUM	1	1	
Z0007102	CONTAINMENT AND DISPOSAL OF LEAD PAINT CLEANING RESIDUES NO. 2	L SUM	1	1	
Z0007103	CONTAINMENT AND DISPOSAL OF LEAD PAINT CLEANING RESIDUES NO. 3	L SUM	1		1
Z0007104	CONTAINMENT AND DISPOSAL OF LEAD PAINT CLEANING RESIDUES NO. 4	L SUM	1		1
Z0010501	CLEANING AND PAINTING STEEL BRIDGE NO. 1	L SUM	1	1	
Z0010502	CLEANING AND PAINTING STEEL BRIDGE NO. 2	L SUM	1	1	
Z0010503	CLEANING AND PAINTING STEEL BRIDGE NO. 3	L SUM	1		1
Z0010504	CLEANING AND PAINTING STEEL BRIDGE NO. 4	L SUM	1		1
Z0048665	RAILROAD PROTECTIVE LIABILITY INSURANCE	L SUM	1		1

MODEL: D:\info\...
 FILE NAME: ...

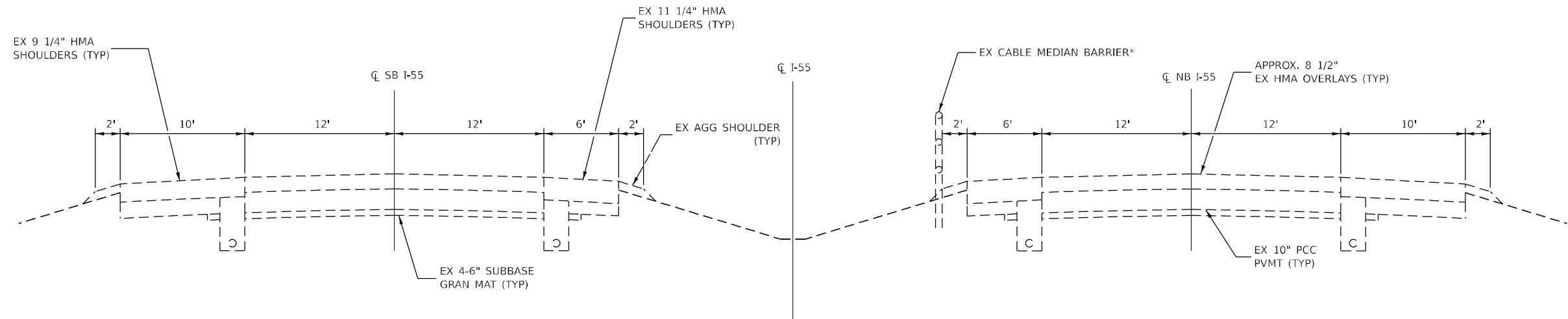
USER NAME = ronald.woodshank	DESIGNED - RW	REVISED - _____
	DRAWN - RW	REVISED - _____
PLOT SCALE = 100,000' / in.	CHECKED - YP	REVISED - _____
PLOT DATE = 12/16/2022	DATE - 9/23/2022	REVISED - _____

**STATE OF ILLINOIS
DEPARTMENT OF TRANSPORTATION**

SUMMARY OF QUANTITIES

SCALE: _____ SHEET 2 OF 2 SHEETS STA. _____ TO STA. _____

F.A.I. RTE.	SECTION	COUNTY	TOTAL SHEETS	SHEET NO.
55	(32-1BR,32-1VBR)BP	GRUNDY	10	4
			CONTRACT NO. 66N04	
		ILLINOIS	FED. AID PROJECT	



EXISTING TYPICAL SECTION
LOOKING NORTH

MODEL: D:\info...
FILE NAME: ...

USER NAME = ronald.woodshank	DESIGNED - RW	REVISED - _____
	DRAWN - RW	REVISED - _____
PLOT SCALE = 100,000' / in.	CHECKED - YP	REVISED - _____
PLOT DATE = 12/16/2022	DATE - 9/23/2022	REVISED - _____

STATE OF ILLINOIS
DEPARTMENT OF TRANSPORTATION

TYPICAL SECTIONS

SCALE: _____ SHEET 1 OF 1 SHEETS STA. _____ TO STA. _____

F.A.I. RTE.	SECTION	COUNTY	TOTAL SHEETS	SHEET NO.
55	(32-1BR,32-1VBR)BP	GRUNDY	10	5
CONTRACT NO. 66N04				
ILLINOIS FED. AID PROJECT				

SCHEDULES FOR STRUCTURE NO. 032-0005 (NB)

TRAFFIC CONTROL AND PROTECTION					PAVEMENT MARKING		CLEANING AND PAINTING		
TRAFFIC CONTROL AND PROTECTION STANDARD 701402	CHANGEABLE MESSAGE SIGN	TEMPORARY RUMBLE STRIPS (SPECIAL)	TEMPORARY CONCRETE BARRIER	IMPACT ATTENUATORS, TEMPORARY NON-REDIRECTIVE, NARROW TEST LEVEL 3	PAVEMENT MARKING REMOVAL	MODIFIED URETHANE PAVEMENT MARKING LINE 6"	CONTAINMENT AND DISPOSAL OF LEAD PAINT CLEANING RESIDUES NO. 1	CLEANING AND PAINTING STEEL BRIDGE NO. 1	BRIDGE CLEANING AND PAINTING WARRANTY NUMBER 1
					WATERBLASTING LINE 6"				
EACH	CAL DA	EACH	FOOT	EACH	SQ FT	FOOT	L SUM	L SUM	L SUM
1	14	4	575	1	245	980	1	1	1

SCHEDULES FOR STRUCTURE NO. 032-0006 (SB)

TRAFFIC CONTROL AND PROTECTION					PAVEMENT MARKING		CLEANING AND PAINTING		
TRAFFIC CONTROL AND PROTECTION STANDARD 701402	CHANGEABLE MESSAGE SIGN	TEMPORARY RUMBLE STRIPS (SPECIAL)	RELOCATE TEMPORARY CONCRETE BARRIER	IMPACT ATTENUATORS, RELOCATE NON-REDIRECTIVE, NARROW TEST LEVEL 3	PAVEMENT MARKING REMOVAL	MODIFIED URETHANE PAVEMENT MARKING LINE 6"	CONTAINMENT AND DISPOSAL OF LEAD PAINT CLEANING RESIDUES NO. 2	CLEANING AND PAINTING STEEL BRIDGE NO. 2	BRIDGE CLEANING AND PAINTING WARRANTY NUMBER 2
					WATERBLASTING LINE 6"				
EACH	CAL DA	EACH	FOOT	EACH	SQ FT	FOOT	L SUM	L SUM	L SUM
1	14	4	575	1	245	980	1	1	1

MODEL: D:\info\... FILE NAME: ...

USER NAME = ronald.woodshank	DESIGNED - RW	REVISED - _____
DRAWN - RW	REVISIONS - _____	
PLOT SCALE = 100,000' / in.	CHECKED - YP	REVISED - _____
PLOT DATE = 12/16/2022	DATE - 9/23/2022	REVISED - _____

**STATE OF ILLINOIS
DEPARTMENT OF TRANSPORTATION**

**SCHEDULES
FOR STRUCTURE NO. 032-0005 (NB) AND STRUCTURE NO. 032-0006 (SB)**

SCALE: _____ SHEET 1 OF 2 SHEETS STA. _____ TO STA. _____

F.A.I. RTE.	SECTION	COUNTY	TOTAL SHEETS	SHEET NO.
55	(32-1BR,32-1VBR)BP	GRUNDY	10	6
CONTRACT NO. 66N04				
ILLINOIS FED. AID PROJECT				

SCHEDULES FOR STRUCTURE NO. 032-0007 (NB)

TRAFFIC CONTROL AND PROTECTION					PAVEMENT MARKING		CLEANING AND PAINTING		
TRAFFIC CONTROL AND PROTECTION STANDARD 701402	CHANGEABLE MESSAGE SIGN	TEMPORARY RUMBLE STRIPS (SPECIAL)	TEMPORARY CONCRETE BARRIER	IMPACT ATTENUATORS, TEMPORARY NON-REDIRECTIVE, NARROW TEST LEVEL 3	PAVEMENT MARKING REMOVAL	MODIFIED URETHANE PAVEMENT MARKING LINE 6"	CONTAINMENT AND DISPOSAL OF LEAD PAINT CLEANING RESIDUES NO. 3	CLEANING AND PAINTING STEEL BRIDGE NO. 3	BRIDGE CLEANING AND PAINTING WARRANTY NUMBER 3
					WATERBLASTING LINE 6"				
EACH	CAL DA	EACH	FOOT	EACH	SQ FT	FOOT	L SUM	L SUM	L SUM
1	14	4	600	1	245	980	1	1	1

SCHEDULES FOR STRUCTURE NO. 032-0008 (SB)

TRAFFIC CONTROL AND PROTECTION					PAVEMENT MARKING		CLEANING AND PAINTING		
TRAFFIC CONTROL AND PROTECTION STANDARD 701402	CHANGEABLE MESSAGE SIGN	TEMPORARY RUMBLE STRIPS (SPECIAL)	RELOCATE TEMPORARY CONCRETE BARRIER	IMPACT ATTENUATORS, RELOCATE NON-REDIRECTIVE, NARROW TEST LEVEL 3	PAVEMENT MARKING REMOVAL	MODIFIED URETHANE PAVEMENT MARKING LINE 6"	CONTAINMENT AND DISPOSAL OF LEAD PAINT CLEANING RESIDUES NO. 4	CLEANING AND PAINTING STEEL BRIDGE NO. 4	BRIDGE CLEANING AND PAINTING WARRANTY NUMBER 4
					WATERBLASTING LINE 6"				
EACH	CAL DA	EACH	FOOT	EACH	SQ FT	FOOT	L SUM	L SUM	L SUM
1	14	4	600	1	245	980	1	1	1

MODEL: D:\data\... FILE NAME: ...

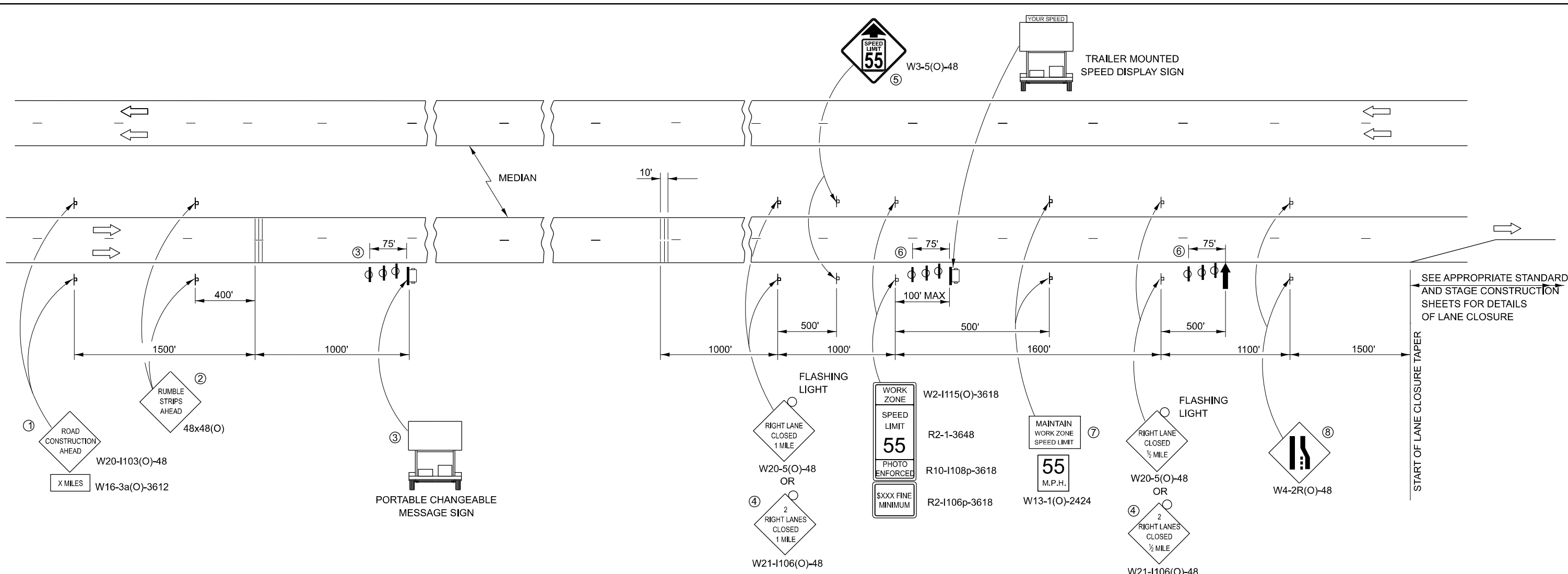
USER NAME = ronald.woodshank	DESIGNED - RW	REVISED - _____
DRAWN - RW	CHECKED - YP	REVISED - _____
PLOT SCALE = 100,000' / in.	DATE - 9/23/2022	REVISED - _____
PLOT DATE = 12/16/2022		

**STATE OF ILLINOIS
DEPARTMENT OF TRANSPORTATION**

**SCHEDULES
FOR STRUCTURE NO. 032-0007 (NB) AND STRUCTURE NO. 032-0008 (SB)**

SCALE: _____ SHEET 2 OF 2 SHEETS STA. _____ TO STA. _____

F.A.I. RTE.	SECTION	COUNTY	TOTAL SHEETS	SHEET NO.
55	(32-1BR,32-1VBR)BP	GRUNDY	10	7
CONTRACT NO. 66N04				
ILLINOIS FED. AID PROJECT				



SEE APPROPRIATE STANDARD AND STAGE CONSTRUCTION SHEETS FOR DETAILS OF LANE CLOSURE

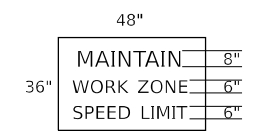
START OF LANE CLOSURE TAPER

LEGEND

- ARROW BOARD
- PORTABLE CHANGEABLE MESSAGE SIGN
- SIGN
- TYPE II BARRICADE, DRUM, OR VERTICAL BARRICADE WITH MONODIRECTIONAL FLASHING LIGHT
- TEMPORARY RUMBLE STRIPS (SEE SPECIAL PROVISION)

- ① THE ROAD CONSTRUCTION AHEAD SIGN SHALL BE LOCATED 3 TO 5 MILES IN ADVANCE OF THE PROJECT LIMITS.
- ② THIS SIGN SHALL BE USED WHENEVER TEMPORARY RUMBLE STRIPS ARE REQUIRED.
- ③ THE MESSAGE BOARD SHALL BE USED TO DISPLAY STATUS OF LANES WITHIN THE PROJECT. THE PRIMARY MESSAGES SHALL BE:
"RIGHT LANE CLOSED" / " x MILES AHEAD"
"LEFT LANE CLOSED" / " x MILES AHEAD"
"ALL LANES OPEN"
- ④ THIS SIGN SHALL BE USED WHEN 2 LANES ARE CLOSED.

THIS SIGN SHALL ONLY BE USED WHEN THE EXISTING SPEED LIMIT IS GREATER THAN 65 MPH.
- ⑤
- ⑥ THREE, TYPE II BARRICADES, DRUMS, OR VERTICAL BARRICADES AT 25' CENTERS.
- ⑦ 48" X 36" FLUORESCENT ORANGE SIGN WITH BLACK LETTERS.



- ⑧ THIS SIGN SHALL BE OMITTED WHEN THE MEDIAN WIDTH IS LESS THAN 10'.

GENERAL NOTES

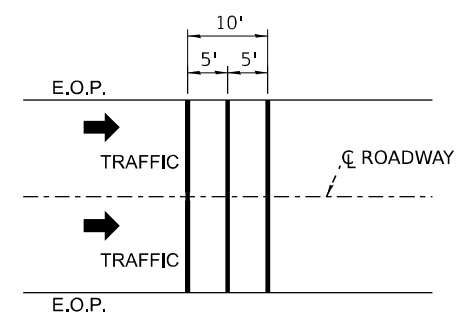
THIS STANDARD IS USED WHENEVER AT ANY TIME A LANE IS CLOSED ON A FREEWAY/EXPRESSWAY.

WHEN THE LEFT LANE IS CLOSED, LEFT LANE CLOSED SIGNS SHALL BE SUBSTITUTED FOR THE RIGHT LANED CLOSED SIGNS.

THE FIRST THREE SIGNS (ROAD CONSTRUCTION AHEAD, RUMBLE STRIPS AND MESSAGE BOARD) ARE STATIONARY. ALL REMAINING SIGNS INCLUDING BARRICADES, MESSAGE BOARD, SPEED LIMIT AND TRAILER MOUNTED SPEED LIMIT SIGN SHALL BE MOVED AS NECESSARY TO MAINTAIN THE REQUIRED DISTANCE FROM THE START OF THE LANE CLOSURE.

TEMPORARY RUMBLE STRIP (SPECIAL)

FOR PAYMENT PURPOSES, EACH LANE OF TRAFFIC SHALL BE CONSIDERED "ONE EACH".



MODEL: D:\infra\... FILE NAME: ...

USER NAME = ronald.woodshank	DESIGNED - RW	REVISED -
DRAWN - RW	REVISED -	
PLOT SCALE = 100,000' / in.	CHECKED - YP	REVISED -
PLOT DATE = 12/16/2022	DATE - 9/23/2022	REVISED -

**STATE OF ILLINOIS
DEPARTMENT OF TRANSPORTATION**

TRAFFIC CONTROL AND PROTECTION, STANDARD 701400

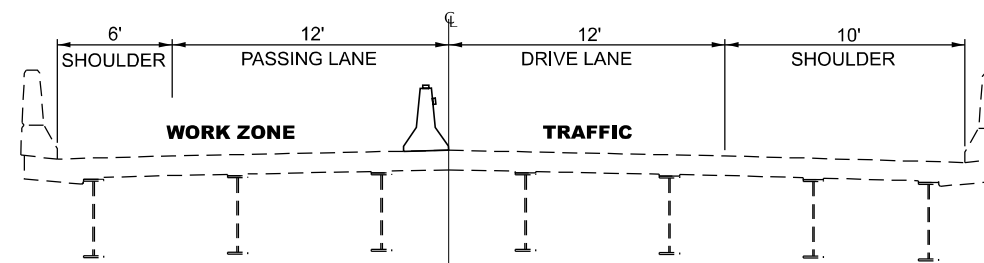
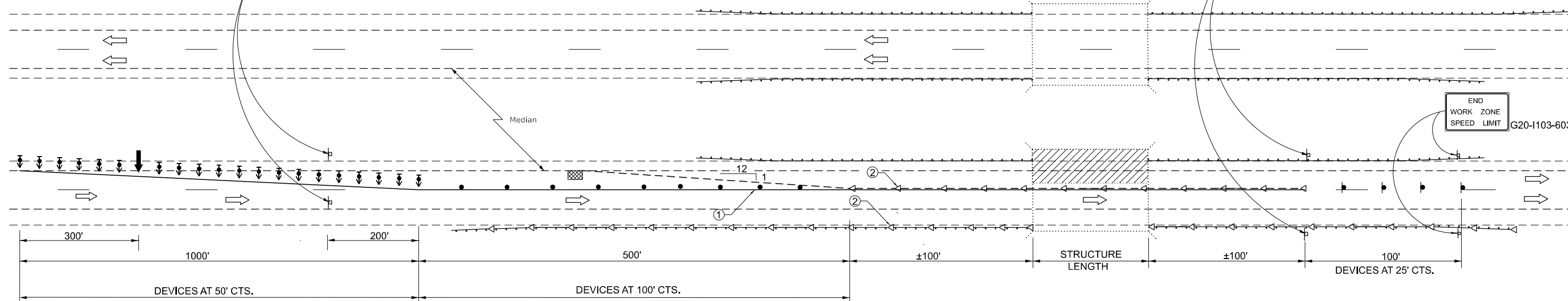
SCALE: _____ SHEET 1 OF 1 SHEETS STA. _____ TO STA. _____

F.A.I. RTE.	SECTION	COUNTY	TOTAL SHEETS	SHEET NO.
55	(32-1BR,32-1VBR)BP	GRUNDY	10	8
CONTRACT NO. 66N04				
ILLINOIS FED. AID PROJECT				

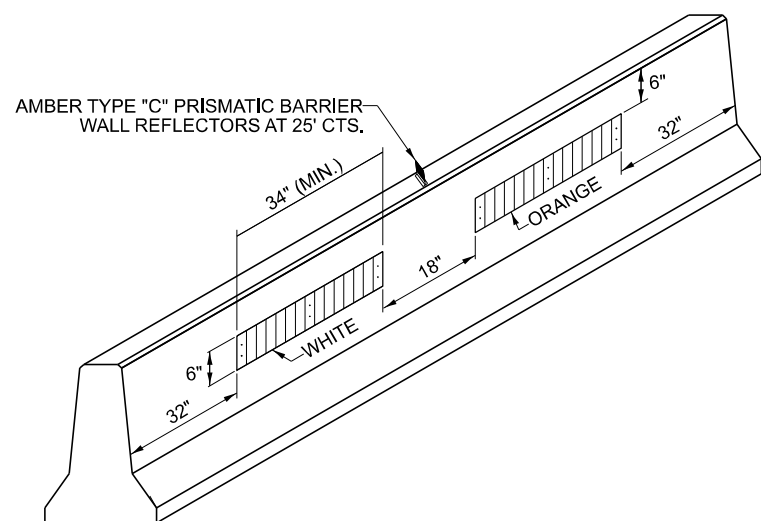
WORK ZONE W1-III5(0)-3618
 SPEED LIMIT R2-1-3648
45
 PHOTO ENFORCED R10-1108p-3618
 \$XXX FINE MINIMUM R2-1106p-3618

WORK ZONE W1-III5(0)-3618
 SPEED LIMIT R2-1-3648
55
 PHOTO ENFORCED R10-1108p-3618
 \$XXX FINE MINIMUM R2-1106p-3618

END WORK ZONE SPEED LIMIT G20-1103-6036



CROSS SECTION



LINEAR DELINEATOR PANELS FOR TEMPORARY CONCRETE BARRIER

SYMBOLS

- ↑ ARROW BOARD
- ▨ WORK AREA
- ⊥ SIGN
- ↑ DIRECTION INDICATOR BARRICADE WITH STEADY BURN MONODIRECTIONAL LIGHT
- TYPE II BARRICADE, DRUM, OR VERTICAL BARRICADE WITH STEADY BURN MONODIRECTIONAL LIGHT
- TEMPORARY CONCRETE BARRIER
- ◁ MONODIRECTIONAL GUARDRAIL/BARRIER WALL REFLECTOR
- ▣ IMPACT ATTENUATOR

- ① TEMPORARY PAVEMENT MARKING TAPE SHALL BE PLACED THROUGHOUT THE TAPER AND ALONG-SIDE THE WORK AREA. THE RIGHT EDGE LINE SHALL BE WHITE AND THE LEFT EDGE LINE SHALL BE YELLOW.
- ② GUARDRAIL/BARRIER WALL REFLECTORS AT 25' CTS. MARKERS ON RIGHT SHALL BE SHALL BE CRYSTAL AND MARKERS ON LEFT SHALL BE AMBER. SEE STANDARD 782006 AND THE TEMPORARY CONCRETE BARRIER DETAIL.

GENERAL NOTES

THIS STANDARD IS USED WHERE AT ANY TIME ANY VEHICLE, EQUIPMENT, WORKERS OR THEIR ACTIVITIES WILL ENCROACH ON THE PAVEMENT OR ON THE SHOULDER WITHIN 24 (600) OF THE EDGE OF PAVEMENT FOR DAYLIGHT OPERATION EXCEEDING ONE DAY AND WHERE TEMPORARY CONCRETE BARRIER IS UTILIZED.

THIS STANDARD MUST ALWAYS BE USED IN COMBINATION WITH STANDARD 701400.

NO WORK SHALL BE PERFORMED ON THE RIGHT LANE.

WHEN WORK IS BEING PERFORMED ON THE ADJACENT, STRUCTURE, THE SET UP WOULD BE SIMILAR THROUGH 180° ROTATION.

TEMPORARY CONCRETE BARRIER SHALL BE ACCORDING TO STANDARD 704001 AND THE LINEAR DELINEATOR FOR TEMPORARY CONCRETE BARRIER DETAIL.

MODEL: D:\infra... FILE NAME: ...

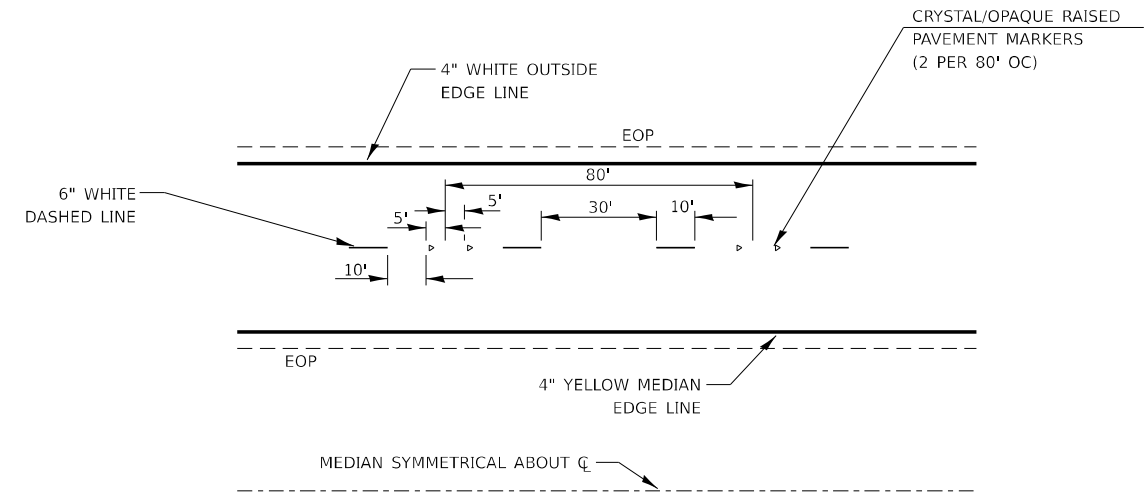
USER NAME = ronald.woodshank	DESIGNED - RW	REVISED -
DRAWN - RW	REVISIONS -	
PLOT SCALE = 100,000' / in.	CHECKED - YP	REVISIONS -
PLOT DATE = 12/16/2022	DATE - 9/23/2022	REVISIONS -

**STATE OF ILLINOIS
DEPARTMENT OF TRANSPORTATION**

TRAFFIC CONTROL AND PROTECTION, STANDARD 701402

SCALE: _____ SHEET 1 OF 1 SHEETS STA. _____ TO STA. _____

F.A.I. RTE.	SECTION	COUNTY	TOTAL SHEETS	SHEET NO.
55	(32-1BR,32-1VBR)BP	GRUNDY	10	9
CONTRACT NO. 66N04				
ILLINOIS FED. AID PROJECT				



TYPICAL PAVEMENT MARKINGS
INTERSTATES

MODEL: D:\info\...
FILE NAME: ...

USER NAME = ronald.woodshank	DESIGNED - RW	REVISED - _____
DRAWN - RW	REVISED - _____	
PLOT SCALE = 100,000' / in.	CHECKED - YP	REVISED - _____
PLOT DATE = 12/16/2022	DATE - 9/23/2022	REVISED - _____

STATE OF ILLINOIS
DEPARTMENT OF TRANSPORTATION

TYPICAL PAVEMENT MARKING

SCALE: _____ SHEET 1 OF 1 SHEETS STA. _____ TO STA. _____

F.A.I. RTE.	SECTION	COUNTY	TOTAL SHEETS	SHEET NO.
55	(32-1BR,32-1VBR)BP	GRUNDY	10	10
CONTRACT NO. 66N04				
ILLINOIS FED. AID PROJECT				