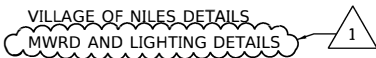


## INDEX OF SHEETS

1	COVER SHEET
2 - 5	INDEX OF SHEETS, HIGHWAY STANDARDS, D1 DETAILS & GENERAL NOTES
6 - 19	SUMMARY OF QUANTITIES
20	SCHEDULE OF QUANTITIES
21 - 23	TYPICAL SECTIONS
24	ALIGNMENT TIES & BENCHMARKS
25 - 26	REMOVAL PLANS
27 - 29	PLAN AND PROFILES
30 - 36	DETOUR/SUGGESTED MAINTENANCE OF TRAFFIC
37 - 38	EROSION CONTROL PLANS
39 - 40	DRAINAGE REMOVAL PLANS
41 - 44	DRAINAGE PLANS
45	INTERSECTION DETAILS
46 - 47	PAVEMENT MARKING PLANS
48 - 50	LANDSCAPING AND RESTORATION PLANS
51 - 72	TRAFFIC SIGNAL PLANS
73 - 80	LIGHTING PLANS
81 - 82	SIDEWALK RAMP DETAILS
83 - 104	DISTRICT 1 DETAILS
105 - 106	VILLAGE OF NILES DETAILS
107	MWRD AND LIGHTING DETAILS
108 - 116	CROSS SECTIONS - TOUHY AVENUE
117 - 120	CROSS SECTIONS - HARTS ROAD/GROSS POINT ROAD



1 REVISION 02/15/2023

## DISTRICT ONE DETAILS

STANDARD NO.	LIST OF DESCRIPTION
BD01	DRIVEWAY DETAILS-DISTANCE BETWEEN R.O.W. AND FACE OF CURB & EDGE OF SHOULDER ≥ TO 15 FT
BD02	DRIVEWAY DETAILS-DISTANCE BETWEEN R.O.W. AND FACE OF CURB & EDGE OF SHOULDER < TO 15 FT
BD07	DETAIL OF STORM SEWER CONNECTION TO EXISTING STORM SEWER
BD08	FRAMES AND LIDS ADJUSTMENT WITH MILLING
BD12	MANHOLE WITH RESTRICTOR PLATE
BD24	CURB OR CURB AND GUTTER REMOVAL AND REPLACEMENT
BD32	BUTT JOINTS AND HMA TAPER
BD36	FIRE HYDRANT TO BE MOVED
BE215	LIGHTING CONTROLLER SINGLE DOOR
BE220	ELECTRIC SERVICE INSTALLATION AERIAL, REMOTE DISCONNECT
BE300	LIGHT POLE FOUNDATION 30' TO 35' M.H. 11 1/2" BOLT CIRCLE
BE310	LIGHT POLE FOUNDATION 40' TO 47' m.h. 15" BOLT CHARGE
BE702	MISCELLANEOUS DETAILS, SHEET B-J BOX EMBEDDED IN BARRIER WALL-INSTALLATION OF CONDUIT IN BRIDGE PARAPET EXPANSION JOINT-ELECTRICAL CONNECTION TO UNDERPASS LIGHTING
BE800	TEMPORARY LIGHT POLE
TC10	TRAFFIC CONTROL AND PROTECTION FOR SIDE ROADS, INTERSECTIONS AND DRIVEWAYS
TC11	TYPICAL APPLICATIONS RAISED REFLECTIVE PAVEMENT MARKERS (SNOW PLOW RESISTANT)
TC13	DISTRICT ONE TYPICAL PAVEMENT MARKINGS
TC14	TRAFFIC CONTROL AND PROTECTION AT TURN BAYS (TO REMAIN OPEN TO TRAFFIC)
TC16	PAVEMENT MARKING LETTERS AND SYMBOLS FOR TRAFFIC STAGING
TC21	DETOUR SIGNING FOR CLOSING STATE HIGHWAYS
TC22	ARTERIAL ROAD INFORMATION SIGN
TC26	DRIVEWAY ENTRANCE SIGNING
TS02	MAST ARM MOUNTED STREET NAME SIGNS
TS05	STANDARD TRAFFIC SIGNAL DESIGN DETAILS

## STATE STANDARDS

STANDARD NO.	LIST OF DESCRIPTION
000001-08	STANDARD SYMBOLS, ABBREVIATIONS AND PATTERNS
280001-07	TEMPORARY EROSION CONTROL SYSTEMS
424001-11	PERPENDICULAR CURB RAMPS FOR SIDEWALKS
424006-05	DIAGONAL CURB RAMPS FOR SIDEWALKS
424011-04	CORNER PARALLEL CURB RAMPS FOR SIDEWALKS
424021-06	DEPRESSED CURB FOR SIDEWALKS
424026-03	ENTRANCE / ALLEY PEDESTRIAN CROSSINGS
442201-03	CLASS C AND D PATCHES
601001-05	PIPE UNDERDRAINS
602001-02	CATCH BASIN, TYPE A
602011-02	CATCH BASIN, TYPE C
602301-04	INLET, TYPE A
602402-03	MANHOLE, TYPE A 5' DIAMETER
602406-11	MANHOLE, TYPE A 6' DIAMETER
602601-06	PRECAST REINFORCED CONCRETE FLAT SLAB TOP
602701-02	MANHOLE STEPS
604001-05	FRAME AND LIDS, TYPE 1
604051-04	FRAME AND GRATE, TYPE 11
606001-07	CONCRETE CURB TYPE B AND COMBINATION CONCRETE CURB AND GUTTER
701006-05	OFF-RD OPERATIONS, 2L, 2W, 15' (4.5M) TO 24" (600 MM) FROM PAVEMENT EDGE
701011-04	OFF-RD MOVING OPERATIONS, 2L, 2W, DAY ONLY
701101-05	OFF-RD MOVING OPERATIONS, MULTILANE, 15' TO 24" FROM PAVEMENT EDGE
701301-04	LANE CLOSURE, 2L, 2W, SHORT TIME OPERATIONS
701311-03	LANE CLOSURE 2L, 2W MOVING OPERATIONS- DAY ONLY
701427-05	LANE CLOSURE, MULTILANE, INTERMITTENT OR MOVING OPER., FOR SPEEDS ≤ 40 MPH
701501-06	URBAN LANE CLOSURE, 2L, 2W, UNDIVIDED
701502-09	URBAN LANE CLOSURE, 2L, 2W, WITH BIDIRECTIONAL TURN LANE
701602-10	URBAN LANE CLOSURE, MULTILANE, 2W WITH BIDIRECTIONAL LEFT TURN LANE
701606-10	URBAN SINGLE LANE CLOSURE, MULTILANE, 2W WITH MOUNTABLE MEDIAN
701611-01	URBAN HALF ROAD CLOSURE, MULTILANE, SW WITH MOUNTABLE MEDIAN
701701-10	URBAN LANE CLOSURE, MULTILANE INTERSECTION
701801-06	SIDEWALK, CORNER OR CROSSWALK CLOSURE
701901-08	TRAFFIC CONTROL DEVICES
704001-08	TEMPORARY CONCRETE BARRIER
720001-01	SIGN PANEL MOUNTING DETAILS
720006-04	SIGN PANEL ERECTION DETAILS
720011-01	METAL POSTS FOR SIGNS, MARKERS, AND DELINEATORS
728001-01	TELESCOPING STEEL SIGN SUPPORT
729001-01	APPLICATION OF TYPE A AND B METAL POSTS (FOR SIGNS AND MARKERS)
731001-01	BASE FOR TELESCOPING STEEL SIGN SUPPORT
780001-05	TYPICAL PAVEMENT MARKINGS
781001-04	TYPICAL APPLICATIONS RAISED REFLECTIVE PAVEMENT MARKINGS
782006-01	GUARDRAIL AND BARRIER WALL REFLECTOR MOUNTING DETAILS
805001-01	ELECTRICAL SERVICE INSTALLATION DETAILS
814001-03	HANDHOLES
814006-03	DOUBLE HANDHOLES
836001-04	LIGHT POLE FOUNDATION
857001-01	STANDARD PHASE DESIGNATION DIAGRAMS AND PHASE SEQUENCES
862001-01	UNINTERRUPTABLE POWER SUPPLY (UPS)
873001-02	TRAFFIC SIGNAL GROUNDING & BONDING
877001-08	STEEL MAST ARM ASSEMBLY AND POLE 16' THROUGH 55'
877002-04	STEEL MAST ARM ASSEMBLY AND POLE 56' THROUGH 75'
878001-11	CONCRETE FOUNDATION DETAILS
880006-01	TRAFFIC SIGNAL MOUNTING DETAILS
886001-01	DETECTOR LOOP INSTALLATIONS
886006-01	TYPICAL LAYOUTS FOR DETECTION LOOPS

HRG PROJECT NO.: 191406.01  
 HRG PROJ. CONTACT:  
 FILE: 13-00118-00-WR-13-00118-00-WR-13-00118-00-WR-13-00118-00-WR.dgn  
 PLOT DATE: 2/15/2023  
 PEN TABLE: pnc.tbl



USER NAME = mzu210	DESIGNED - MLZ	REVISED - 2/15/2023
	DRAWN - WJH	REVISED -
PLOT SCALE = 2.0000' / 1in.	CHECKED -	REVISED -
PLOT DATE = 2/15/2023	DATE -	REVISED -

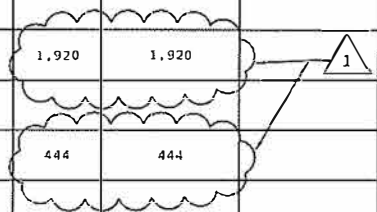
**STATE OF ILLINOIS  
DEPARTMENT OF TRANSPORTATION**

**INDEX OF SHEETS, DISTRICT 1 DETAILS AND STATE STANDARDS**

SCALE: N.T.S. SHEET OF SHEETS STA. TO STA.

F.A.P. RTE.	SECTION NO.	COUNTY	TOTAL SHEETS	SHEET NO.
341	13-00118-00-WR	COOK	120	2
CONTRACT NO. 61H59			FED. ROAD DIST. NO. [ILLINOIS] FED. AID PROJECT	

PAYCODE	ITEM DESCRIPTION	UNIT	TOTAL	CONSTRUCTION CODE		
				ROADWAY 80% FEDERAL 20% STATE 0004	LIGHTING 80% FEDERAL 20% STATE 0021	TRAFFIC SIGNALS 80% FEDERAL 20% STATE 004
+ 20100110	TREE REMOVAL (6 TO 15 UNITS DIAMETER)	UNIT	110	110		
+ 20100210	TREE REMOVAL (OVER 15 UNITS DIAMETER)	UNIT	133	133		
+ 20101200	TREE ROOT PRUNING	EACH	6	6		
20200100	EARTH EXCAVATION	CU YD	1,920	1,920		
20201200	REMOVAL AND DISPOSAL OF UNSUITABLE MATERIAL	CU YD	444	444		
20400800	FURNISHED EXCAVATION	CU YD	113	113		
20800150	TRENCH BACKFILL	CU YD	1,200	1,200		
21001000	GEOTECHNICAL FABRIC FOR GROUND STABILIZATION	SO YD	1,590	1,590		
21101615	TOPSOIL FURNISH AND PLACE, 4"	SQ YD	3,400	3,400		
+ 25000210	SEEDING, CLASS 2A	ACRE	0.75	0.75		
+ 25000400	NITROGEN FERTILIZER NUTRIENT	POUND	63	63		
+ 25000600	POTASSIUM FERTILIZER NUTRIENT	POUND	63	63		
+ 25100630	EROSION CONTROL BLANKET	SQ YD	9,338	9,338		
+ 25200110	SODDING, SALT TOLERANT	SQ YD	1,010	1,010		
+ 25200200	SUPPLEMENTAL WATERING	UNIT	97	97		
28000250	TEMPORARY EROSION CONTROL SEEDING	POUND	70	70		
28000400	PER IMETER EROSION BARRIER	FOOT	3,320	3,320		



1 REVISION 02/15/2023

\* SPECIAL PROVISION  
+ SPECIALTY ITEM

HRG PROJECT NO. 19408.01  
 HRG PROJ CONTACT  
 FILE NAME: 19408.01-19408.01-500.dgn  
 PLOT DRIVER: A:\pof\dwg\pof.dwg  
 PEN TABLE: plotlabel.tbl



USER NAME = m2u230	DESIGNED - MLZ	REVISED -
PLLOT SCALE = 2,0000' / 1"	DRAWN - WJH	REVISED -
PLLOT DATE = 2/28/2023	CHECKED -	REVISED -
	DATE -	REVISED -

**STATE OF ILLINOIS  
DEPARTMENT OF TRANSPORTATION**

SUMMARY OF QUANTITIES	
SCALE:	SHEET 1 OF 14 SHEETS STA. TO STA.

F.A.P. RTE.	SECTION NO.	COUNTY	TOTAL SHEETS	SHEET NO.
341	13-00118-00-WR	COOK	120	6
CONTRACT NO. 61H59				
FED. ROAD DIST. NO. ILLINOIS FED. AID PROJECT				

PAYCODE	ITEM DESCRIPTION	UNIT	TOTAL	CONSTRUCTION CODE		
				ROADWAY 80% FEDERAL 20% STATE 0004	LIGHTING 80% FEDERAL 20% STATE 0021	TRAFFIC SIGNALS 80% FEDERAL 20% STATE 004
60234200	INLETS, TYPE A, TYPE 1 FRAME, OPEN LID	EACH	1	1		
60236800	INLETS, TYPE A, TYPE 11 FRAME AND GRATE	EACH	5	5		
60250400	CATCH BASINS TO BE ADJUSTED WITH NEW TYPE 1 FRAME, OPEN LID	EACH	2	2		
60250500	CATCH BASINS TO BE ADJUSTED WITH NEW TYPE 1 FRAME, CLOSED LID	EACH	2	2		
60255800	MANHOLES TO BE ADJUSTED WITH NEW TYPE 1 FRAME, CLOSED LID	EACH	6	6		
60261300	INLETS TO BE ADJUSTED WITH NEW TYPE 11 FRAME AND GRATE	EACH	2	2		
60265700	VALVE VAULTS TO BE ADJUSTED	EACH	4	4		
60500040	REMOVING MANHOLES	EACH	2	2		
60500050	REMOVING CATCH BASINS	EACH	1	1		
60500060	REMOVING INLETS	EACH	5	5		
60600605	CONCRETE CURB, TYPE B	FOOT	116	116		
60603800	COMBINATION CONCRETE CURB AND GUTTER, TYPE B-G.12	FOOT	4.270	4.270		
60618300	CONCRETE MEDIAN SURFACE, 4 INCH	SQ FT	6	6		
+ 66900200	NON-SPECIAL WASTE DISPOSAL	CU YD	2.400	2.400		
+ 66900530	SOIL DISPOSAL ANALYSIS	EACH	10	10		
+ 66901001	REGULATED SUBSTANCES PRE-CONSTRUCTION PLAN	L SUM	1	1		
+ 66901003	REGULATED SUBSTANCES FINAL CONSTRUCTION REPORT	L SUM	1	1		

1 REVISION 02/15/2023

\* SPECIAL PROVISION  
+ SPECIALTY ITEM

HRC PROJECT NO.: 18408.01  
 HRC PROJ. CONTACT:  
 FILE NAME: J:\18408.01\18408.01.dwg  
 PLOT DRIVER: il\_pdf.dwg  
 PEN TABLE: plot.tbl



USER NAME = mtz210	DESIGNED - MLZ	REVISED - 2/15/2023
PLOT SCALE = 2,000' / 1" =	DRAWN - WJH	REVISED -
PLOT DATE = 2/28/2023	CHECKED -	REVISED -
	DATE -	REVISED -

**STATE OF ILLINOIS  
DEPARTMENT OF TRANSPORTATION**

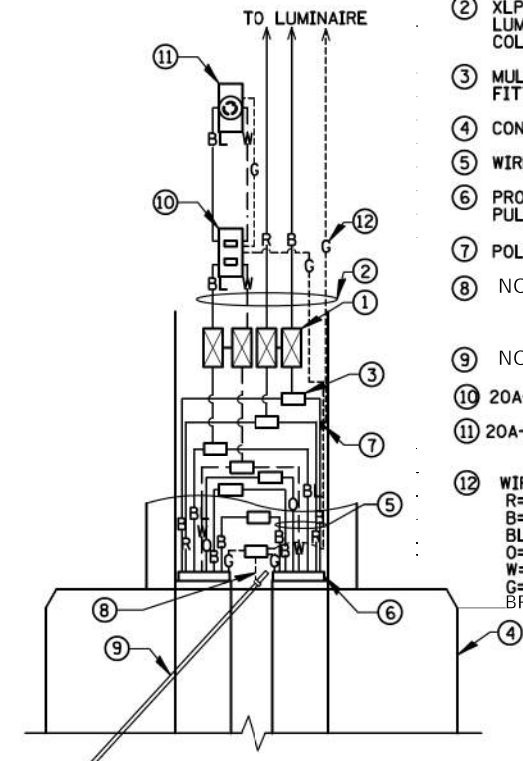
SUMMARY OF QUANTITIES	
SCALE:	SHEET 5 OF 14 SHEETS STA. TO STA.

F.A.P. RTE.	SECTION NO.	COUNTY	TOTAL SHEETS	SHEET NO.
341	13-00118-00-WR	COOK	120	10
FED. ROAD DIST. NO. [ILLINOIS] FED. AID PROJECT			CONTRACT NO. 61H59	

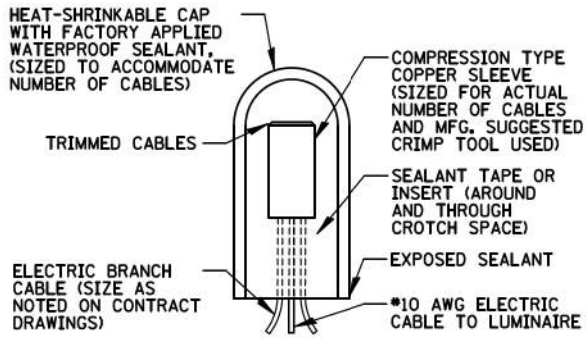
1 REVISION 02/15/2023

--- PHASE CONDUCTOR  
 - - - GROUND CONDUCTOR  
 - - - NEUTRAL CONDUCTOR

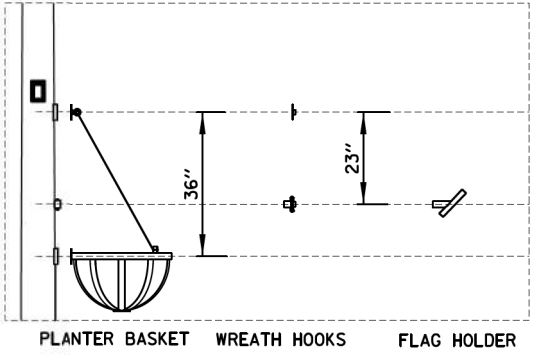
- ① 5A FUSE FOR LUMINAIRES AND 2A FUSE FOR FESTOON RECEPTACLE (NEUTRAL SHALL BE NON-FUSED) 2-POLE BREAKAWAY FUSE HOLDER & INSULATING BOOTS
- ② XLP-TYPE USE POLE WIRES (#10 TO LUMINAIRE & #12 TO RECEPTACLE) COLOR TO MATCH BRANCH WIRING
- ③ MULTIPLE COMPRESSION FITTINGS (SPLICE), TYP.
- ④ CONCRETE FOUNDATION
- ⑤ WIRES AS SHOWN ON PLANS
- ⑥ PROPOSED LIGHTING DUCT PULLED THROUGH PVC RACEWAY
- ⑦ POLE GROUND LUG 3/8" - 16 LUG
- ⑧ NOT USED
- ⑨ NOT USED
- ⑩ 20A-120V GFCI SWITCH IN POLE BASE
- ⑪ 20A-120V TWISTLOCK RECEPTACLE
- ⑫ WIRE COLOR  
 R=RED  
 B=BLACK  
 BL=BLUE  
 O=ORANGE  
 W=WHITE  
 G=GREEN  
 BR=BROWN



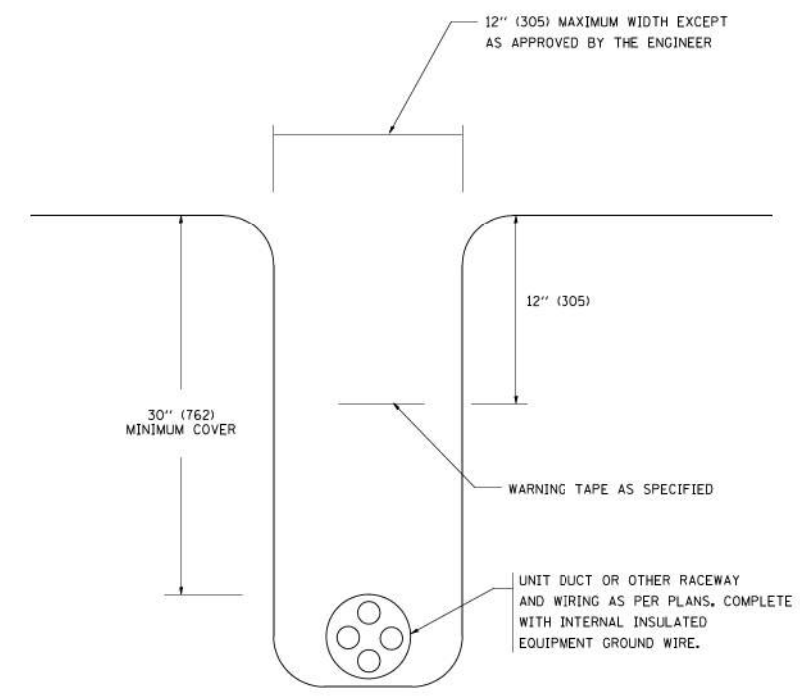
**POLE HANDHOLE POWER WIRING DIAGRAM**  
 N.T.S.



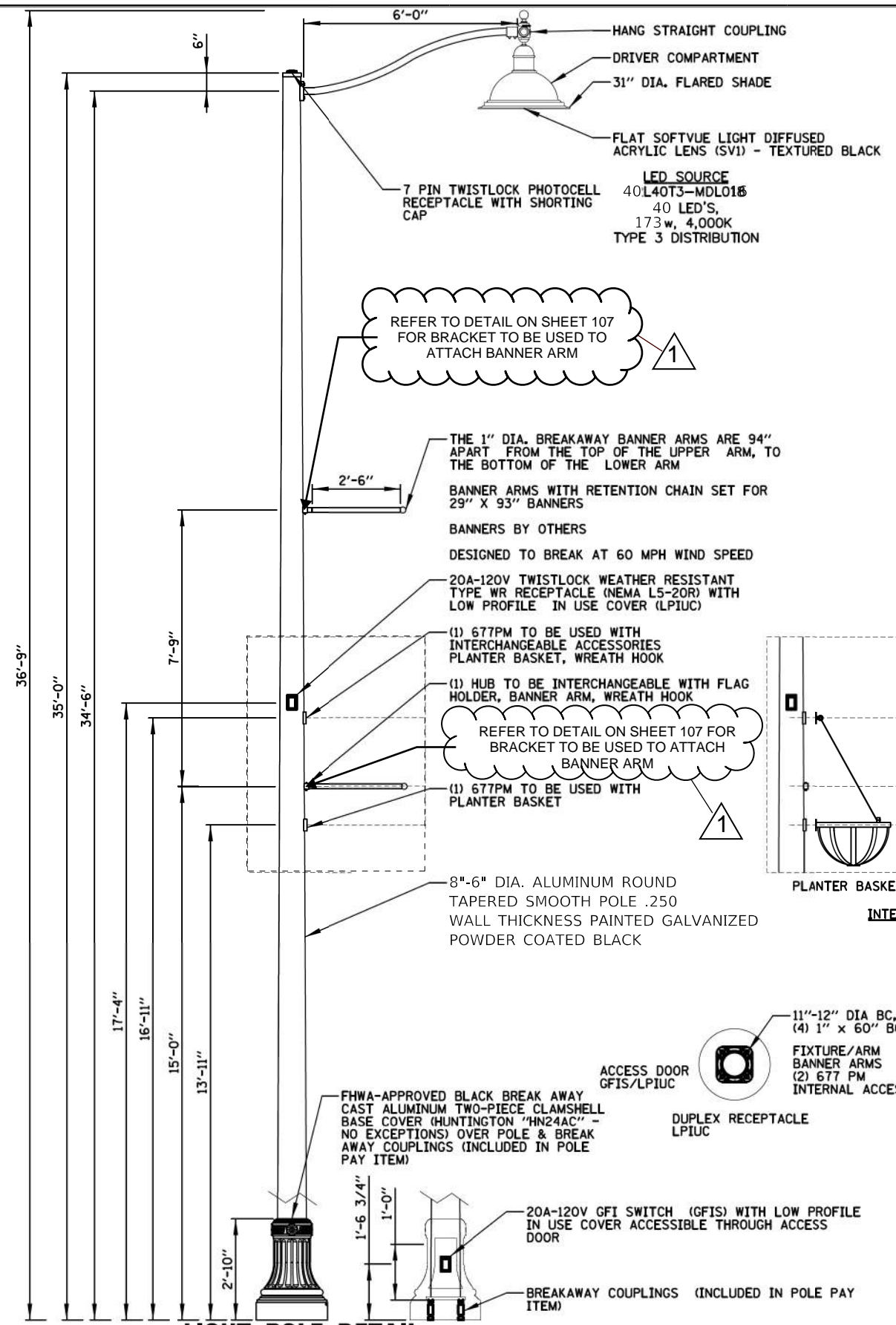
**SPlicing ELECTRIC CABLE**  
 N.T.S.



**INTERCHANGABLE ACCESSORIES**



**TYPICAL WIRING IN TRENCH DETAIL**  
 N.T.S.



**LIGHT POLE DETAIL**  
 N.T.S.

- NOTES:**
- LIGHT POLE ASSEMBLY SHALL BE STERNBERG MODEL NO. 1A-1531LED-F-40L40T3-MDL016-FG -HSHB/CA6/HUSB/-35'ARTS-PCC-R7-SC-ABC(11)-BDBA6-TLDPL20 LPIUC-GFB LPIUC-(2) 677PM/BKT (NO EXCEPTIONS).
  - PAID FOR UNDER "LIGHTING UNIT COMPLETE, SPECIAL", WHICH SHALL INCLUDE EVERYTHING SHOWN (SEE SPECIAL PROVISION).

MODEL: Defn.dwg  
 FILE NAME: E:\Projects\2019-11-Touhy Ave\AR\_GreenDesign\Sheet\191408.01.dwg\light-07.dwg

**AMES Engineering, Inc.**  
 CONSULTING ENGINEERS  
 6330 Belmont Road, Suite 4B  
 Downers Grove, IL 60515

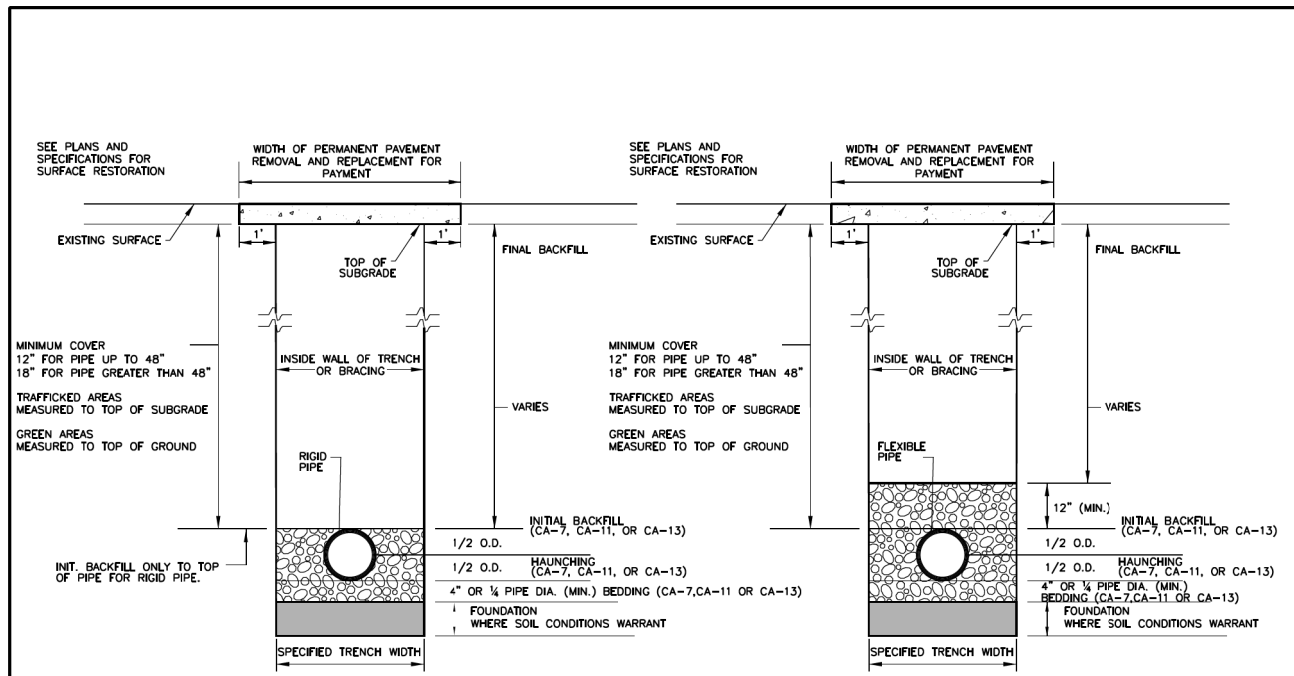
USER NAME = mdelcne	DESIGNED - MB	REVISED - 02/15/2023
PLOT SCALE = 40,0000 ' / in.	DRAWN - SR	REVISIONS
PLOT DATE = 2/15/2022	CHECKED - BL	REVISIONS
	DATE - 12-29-2021	REVISIONS

**STATE OF ILLINOIS**  
**DEPARTMENT OF TRANSPORTATION**

SCALE:	SHEET	OF	SHEETS	STA.	TO	STA.
--------	-------	----	--------	------	----	------

F.A.U. RTE.	SECTION	COUNTY	TOTAL SHEETS	SHEET NO.
341	13-00118-00-WR	COOK	120	79
CONTRACT NO. 61H59				
ILLINOIS FED. AID PROJECT				

**LT-07**



- NOTES:
- FOR QUALIFIED SEWER CONSTRUCTION ONLY.
  - SHORING, OR EQUIVALENT PROTECTIVE SYSTEM, REQUIRED FOR TRENCHES OF 5' DEPTH OR GREATER, OR AS REQUIRED BY MUNICIPALITY.

NOT TO SCALE

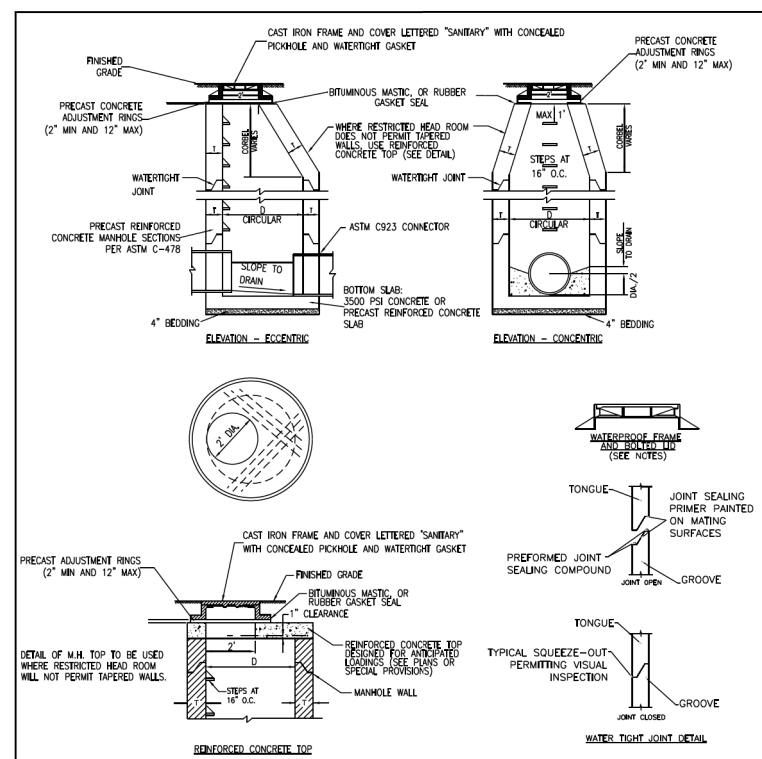


TECHNICAL GUIDANCE MANUAL  
RIGID AND FLEXIBLE PIPE INSTALLATION DETAIL

7/1/15

STD. DWG. NO. 34

PAGE NO. 35



TECHNICAL GUIDANCE MANUAL

7/1/15

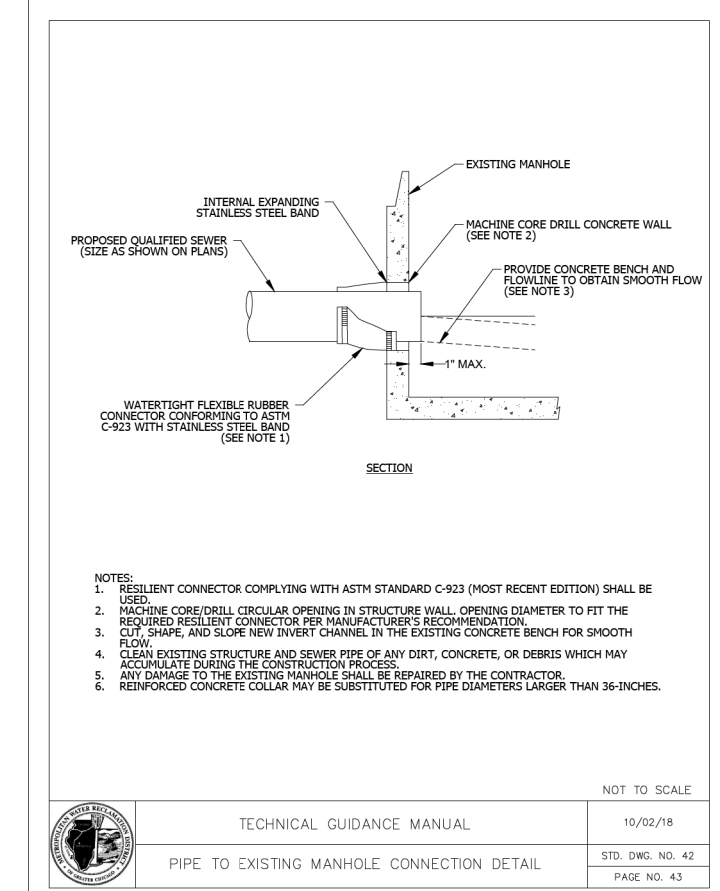
TYPICAL SANITARY MANHOLE 'A' AND 'B' DETAIL

STD. DWG. NO. 39

PAGE NO. 40

ALT MATERIALS FOR WALLS	D	T (MIN.)
PRECAST REINFORCED CONCRETE	4 FEET	5 IN
CAST-IN-PLACE CONCRETE	4 FEET	5 IN
	5 FEET	5 IN
	6 FEET	5 IN

NOT TO SCALE



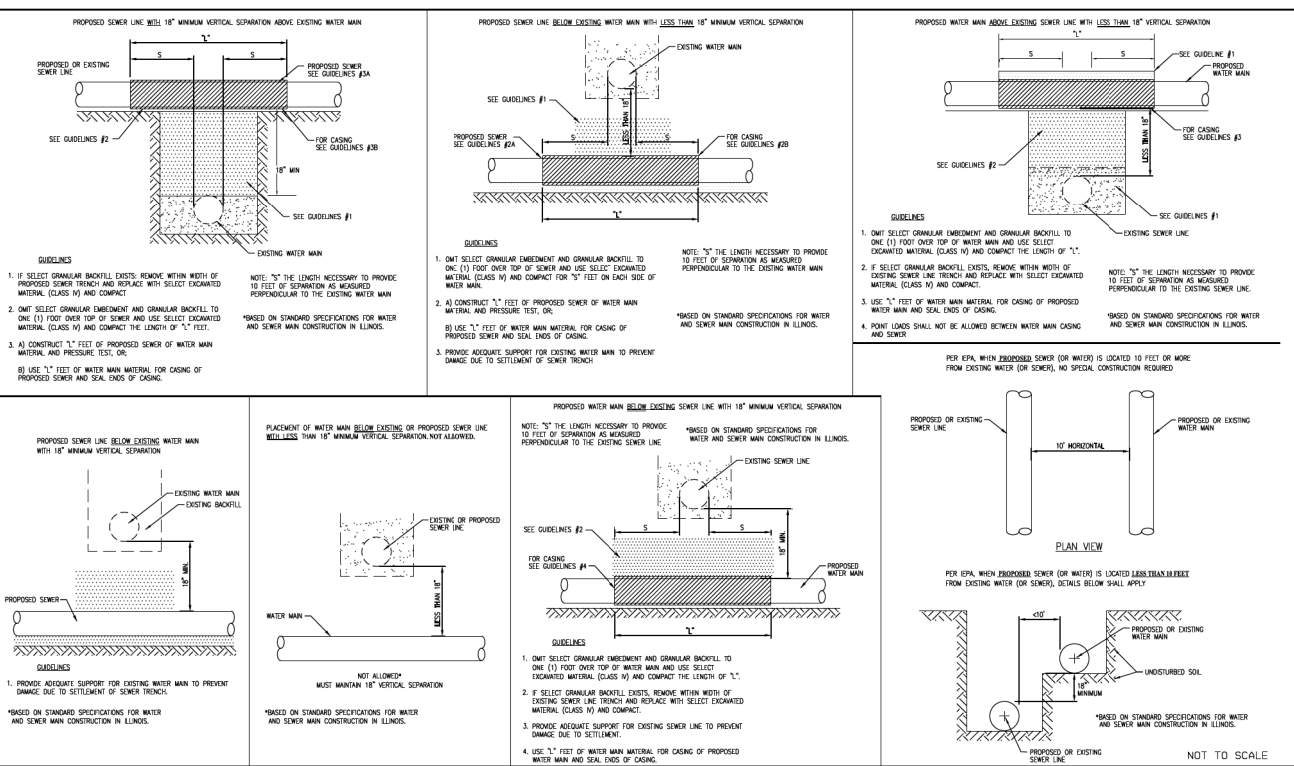
TECHNICAL GUIDANCE MANUAL  
PIPE TO EXISTING MANHOLE CONNECTION DETAIL

NOT TO SCALE

10/02/18

STD. DWG. NO. 42

PAGE NO. 43

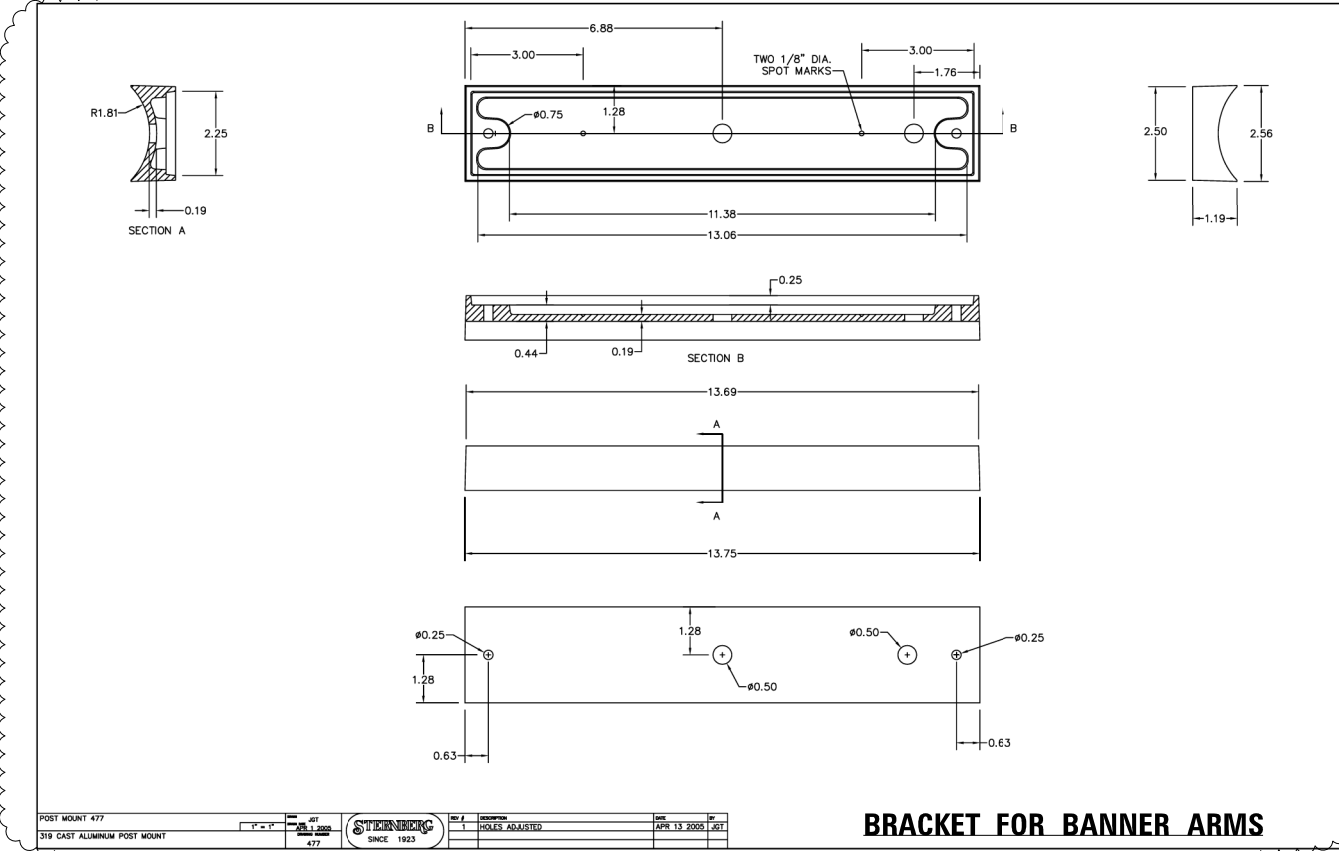


TECHNICAL GUIDANCE MANUAL  
WATER AND SEWER SEPARATION REQUIREMENTS (PER IEPA)

7/1/15

STD. DWG. NO. 41

PAGE NO. 42



POST MOUNT 477  
319 CAST ALUMINUM POST MOUNT



477

APR 13 2000

APR 13 2000

MWRD AND LIGHTING DETAILS  
TOUHY AVENUE / HARTS ROAD / GROSS POINT ROAD

SCALE: SHEET 2 OF 2 SHEETS STA. TO STA.

F.A.P. RTE.	SECTION NO.	COUNTY	TOTAL SHEETS	SHEET NO.
341	13-00118-00-WR	COOK	120	107

CONTRACT NO. 61H59

FED. ROAD DIST. NO. ILLINOIS FED. AID PROJECT

HRG PROJECT NO.: 19406.01  
HRG PROJ. CONTACT:  
FILE NAME: 19406.01-sht-061-dwt-03.dgn  
PEN TABLE: 19406.tbl



USER NAME = mzu210  
DESIGNED - MLZ  
DRAWN - W/JH  
PLOT SCALE = 2.0000' / in.  
PLOT DATE = 2/15/2023

DESIGNED - MLZ  
DRAWN - W/JH  
CHECKED -  
DATE -

REVISED - 2/15/2023  
REVISED -  
REVISED -  
REVISED -

STATE OF ILLINOIS  
DEPARTMENT OF TRANSPORTATION

MWRD AND LIGHTING DETAILS  
TOUHY AVENUE / HARTS ROAD / GROSS POINT ROAD

REVISION 02/15/2023