

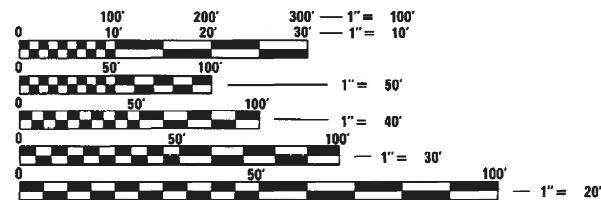
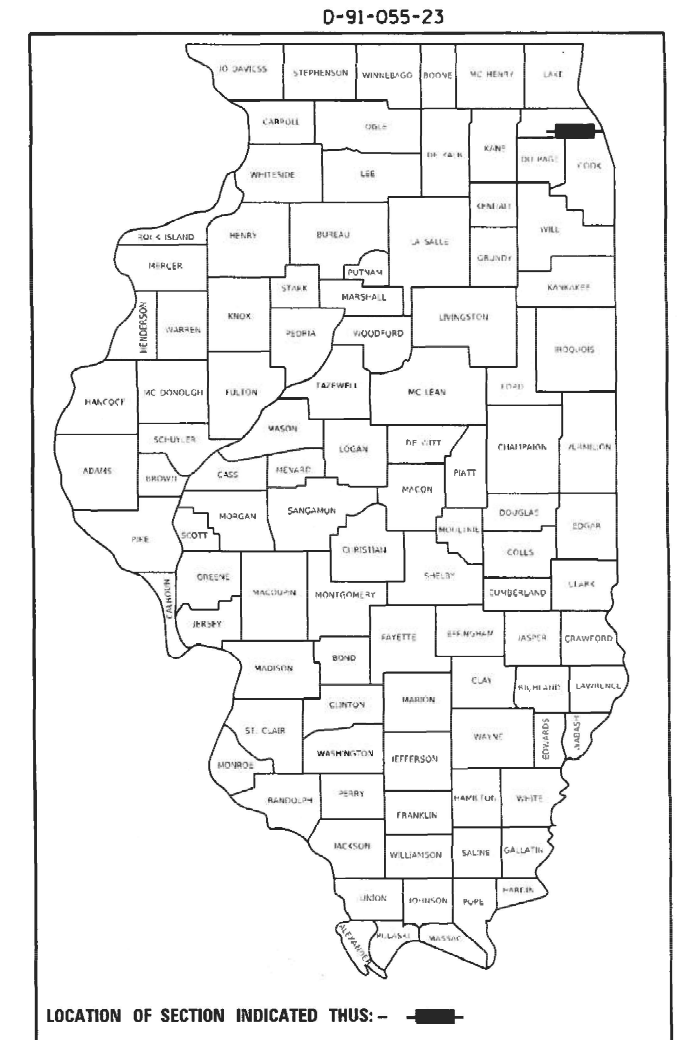
STATE OF ILLINOIS
DEPARTMENT OF TRANSPORTATION

F.A. RTE.	SECTION	COUNTY	TOTAL SHEETS	SHEET NO.
* FAI 90 FAI 190 FAI 94	2021-149-1	COOK	5	1
		ILLINOIS	CONTRACT NO. 62U57	

FOR INDEX OF SHEETS, SEE SHEET NO.

**PROPOSED
HIGHWAY PLANS**

**FAI ROUTE 90/FAI ROUTE 190/FAI ROUTE 94: I-90 (KENNEDY EXPWY)/I-190/I-94 (EDENS EXPWY)
W. OF US 12/45 (MANNHEIM RD) TO CONGRESS PKWY
SECTION: FAI 90 FAI 94 22 LITTER
EXPRESSWAY HIGHWAY CLEANING (LITTER/DEBRIS REMOVAL)
COUNTY: COOK
C-91-082-23**



FULL SIZE PLANS HAVE BEEN PREPARED USING STANDARD ENGINEERING SCALES. REDUCED SIZED PLANS WILL NOT CONFORM TO STANDARD SCALES. IN MAKING MEASUREMENTS ON REDUCED PLANS, THE ABOVE SCALES MAY BE USED.

J.U.L.I.E.
JOINT UTILITY LOCATION INFORMATION FOR EXCAVATION
1-800-892-0123
OR 811

LOCATION MAP - SEE INDEX OF SHEETS

PROJECT ENGINEER: RODRIGO LEDEZMA (847) 705-4580
PROJECT MANAGER: J. ALAIN MIDY (847) 221-3056

GROSS LENGTH = 174,240 FT. = 33.0 MILE
NET LENGTH = 174,240 FT. = 33.0 MILE

CONTRACT NO. 62U57

STATE OF ILLINOIS
DEPARTMENT OF TRANSPORTATION

SUBMITTED DECEMBER 8 20 22
Jose Luis CAS
REGIONAL ENGINEER

February 3, 2023
S. E. A. etc
ENGINEER OF DESIGN AND ENVIRONMENT

February 3, 2023
Stephen M. Smith
DIRECTOR OF HIGHWAYS PROJECT IMPLEMENTATION

PRINTED BY THE AUTHORITY
OF THE STATE OF ILLINOIS

INDEX OF SHEETS

1. TITLE SHEET
2. INDEX OF SHEETS
APPLICABLE STATE STANDARDS
3. SUMMARY OF QUANTITIES
SCHEDULE OF CLEANING STARTING DATES
4. EXPRESSWAY CLEANING: I-190, I-90/94
5. TRAFFIC CONTROL DETAILS FOR FREEWAY SHOULDER CLOSURES
AND PARTIAL RAMP CLOSURES (TC-17)

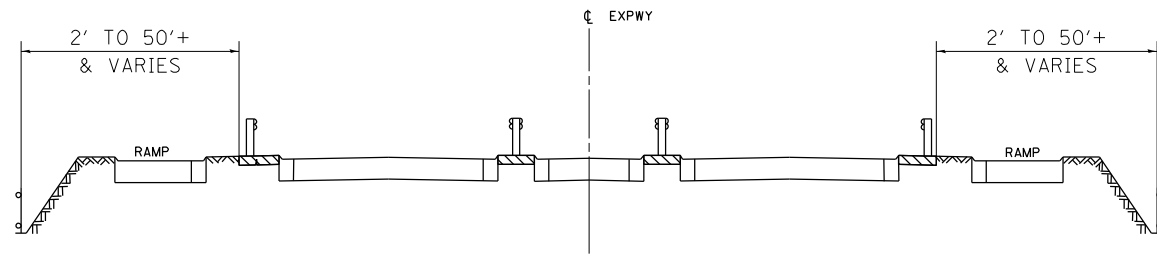
STATE STANDARDS

- | | |
|-----------|---|
| 701106-02 | OFF-ROAD OPERATION MULTILANE, MORE THAN 15' AWAY |
| 701426-09 | LANE CLOSURE, MULTILANE, INTERMITTENT OR MOVING OPER., FOR SPEEDS \geq 45 MPH |
| 701901-08 | TRAFFIC CONTROL DEVICES |

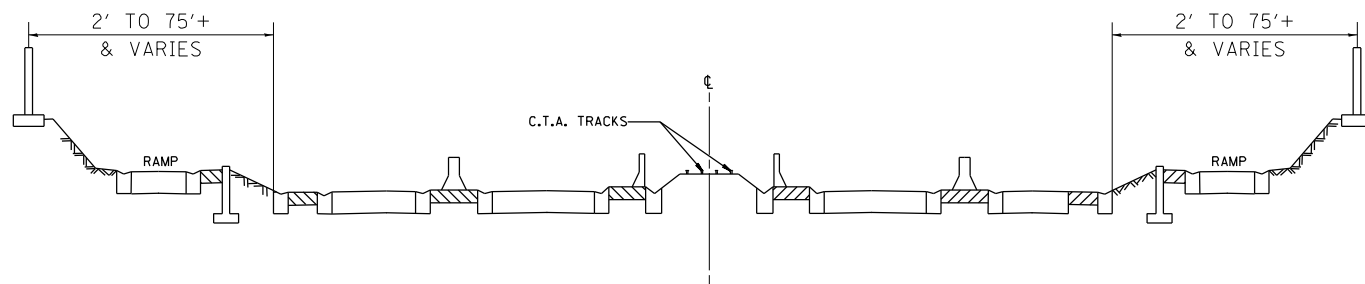
MODEL: Default
 FILE NAME: p:\ultra\paw_bentley.com\PVI\DOT\Documents\DOT Offices\District 1\Projects\Sweeping_Contracts\CAD\Data\Design\Sweeping\Contract2022.dgn

* FAI 90
FAI 190
FAI 94

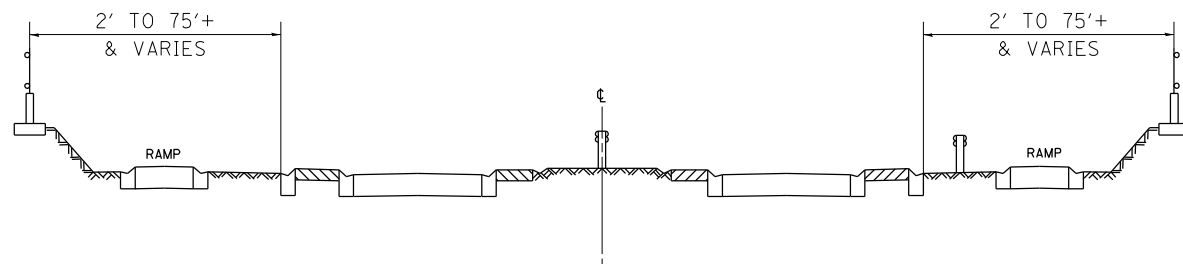
<table border="1" style="width: 100%; border-collapse: collapse;"> <tr> <td style="font-size: 8px;">USER NAME = Rodrigo.Ledezma</td> <td style="font-size: 8px;">DESIGNED -</td> <td style="font-size: 8px;">REVISED -</td> </tr> <tr> <td style="font-size: 8px;">DRAWN -</td> <td style="font-size: 8px;">REVISED -</td> <td></td> </tr> <tr> <td style="font-size: 8px;">PLOT SCALE = 100,0000 ' / in.</td> <td style="font-size: 8px;">CHECKED -</td> <td style="font-size: 8px;">REVISED -</td> </tr> <tr> <td style="font-size: 8px;">PLOT DATE = 2/3/2023</td> <td style="font-size: 8px;">DATE -</td> <td style="font-size: 8px;">REVISED -</td> </tr> </table>	USER NAME = Rodrigo.Ledezma	DESIGNED -	REVISED -	DRAWN -	REVISED -		PLOT SCALE = 100,0000 ' / in.	CHECKED -	REVISED -	PLOT DATE = 2/3/2023	DATE -	REVISED -	STATE OF ILLINOIS DEPARTMENT OF TRANSPORTATION	INDEX OF SHEETS AND STATE STANDARDS	<table border="1" style="width: 100%; border-collapse: collapse; font-size: 8px;"> <tr> <td style="width: 10%;">SCALE:</td> <td style="width: 10%;">SHEET</td> <td style="width: 10%;">OF</td> <td style="width: 10%;">SHEETS</td> <td style="width: 10%;">STA.</td> <td style="width: 10%;">TO STA.</td> </tr> </table>	SCALE:	SHEET	OF	SHEETS	STA.	TO STA.
USER NAME = Rodrigo.Ledezma	DESIGNED -	REVISED -																			
DRAWN -	REVISED -																				
PLOT SCALE = 100,0000 ' / in.	CHECKED -	REVISED -																			
PLOT DATE = 2/3/2023	DATE -	REVISED -																			
SCALE:	SHEET	OF	SHEETS	STA.	TO STA.																
		<table border="1" style="width: 100%; border-collapse: collapse;"> <tr> <td style="width: 10%;">F.A.I. RTE.</td> <td style="width: 40%;">SECTION</td> <td style="width: 10%;">COUNTY</td> <td style="width: 10%;">TOTAL SHEETS</td> <td style="width: 10%;">SHEET NO.</td> </tr> <tr> <td style="text-align: center;">*</td> <td>FAI 90 / FAI 94 22 LITTER</td> <td style="text-align: center;">VAR</td> <td style="text-align: center;">5</td> <td style="text-align: center;">2</td> </tr> <tr> <td colspan="5" style="text-align: right;">CONTRACT NO. 62U57</td> </tr> </table>	F.A.I. RTE.	SECTION	COUNTY	TOTAL SHEETS	SHEET NO.	*	FAI 90 / FAI 94 22 LITTER	VAR	5	2	CONTRACT NO. 62U57					ILLINOIS FED. AID PROJECT			
F.A.I. RTE.	SECTION	COUNTY	TOTAL SHEETS	SHEET NO.																	
*	FAI 90 / FAI 94 22 LITTER	VAR	5	2																	
CONTRACT NO. 62U57																					



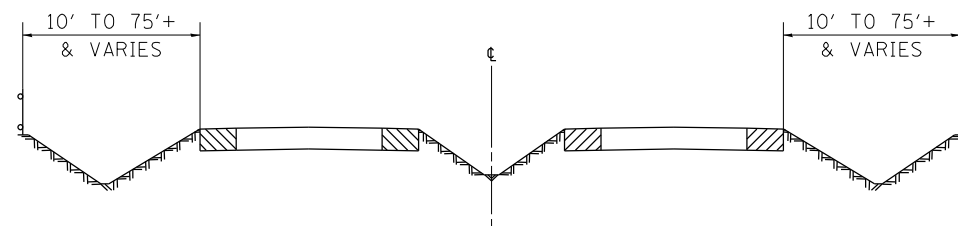
TYPICAL EXPRESSWAY CROSS-SECTION NO. 1



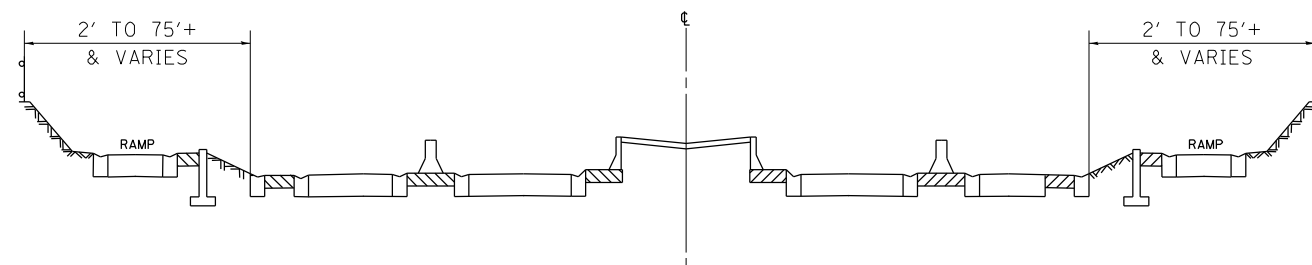
TYPICAL EXPRESSWAY CROSS-SECTION NO. 2



TYPICAL EXPRESSWAY CROSS-SECTION NO. 3



TYPICAL EXPRESSWAY CROSS-SECTION NO. 4



TYPICAL EXPRESSWAY CROSS-SECTION NO. 5

NOTES:

1. SCHEDULE MAY VARY AS DIRECTED BY THE ENGINEER.
3. NO WORK WILL BE ALLOWED DURING ANY LEGAL HOLIDAY PERIOD.
4. ALL SCHEDULES OF ANTICIPATED STARTING DATES SHOWN ARE TENTATIVE AS DETERMINED BY THE DEPARTMENT'S OPERATIONAL NEEDS.
5. NO DAILY CONTRACTOR WORK REQUESTS/ SCHEDULING SHALL BE AUTHORIZED OR APPROVED TO START WHEN IT IS DETERMINED BY THE ENGINEER THAT WEATHER CONDITIONS WILL BE UNFAVORABLE. APPROVAL OF ALL DAILY CONTRACTOR WORK SCHEDULE REQUEST SHALL BE SOLELY DETERMINED BY THE ENGINEER AND OR PROJECT SUPERVISOR.
6. ALL SHOULDER CLOSURES SHALL BE IMMEDIATELY REMOVED DURING ALL ADVERSE WEATHER CONDITIONS **WITHOUT EXCEPTION**, INCLUDING BUT NOT LIMITED TO RAIN, WET ROAD SURFACE (SPRAY FROM TIRES), MIST, DRIZZLE, SLEET, SNOW, FOG AND ANY OTHER CIRCUMSTANCE DETERMINED UNSAFE BY THE ENGINEER. **THE CONTRACTOR SHALL IMPLEMENT THIS CONTRACT REQUIREMENT IMMEDIATELY WITHOUT WAITING FOR DEPARTMENT INSTRUCTIONS.**
8. NO WORK WILL BE ALLOWED DAY OR NIGHT ON THE FOLLOWING DATES UNLESS IT IS CONSIDERED AN EMERGENCY, IMMEDIATE HAZARD OR ANY WORK AS DESIGNATED BY THE DEPARTMENT THAT REQUIRES FIRST PRIORITY CORRECTIVE ACTION:

EASTER HOLIDAY
 MEMORIAL DAY HOLIDAY
 INDEPENDENCE DAY HOLIDAY
 LABOR DAY HOLIDAY
 THANKSGIVING HOLIDAY
 CHRISTMAS/NEW YEAR'S HOLIDAY

SUMMARY OF QUANTITIES

CODE NO.	ITEM	UNIT	URBAN	100 % STATE
			TOTAL QUANTITIES	EXPRESSWAY
X0326643	LITTER PICKING	MILE	292.2	292.2

MODEL: Default
 FILE: \\na16c-pw\public\paw_bentley.com\PIV\DOT\Documents\DOT Offices\District 11\Projects\Sweeping_Contracts\CAD\Drawings\Drawings\SweepingContract2022.dwg

USER NAME = Rodrigo.Ledezma	DESIGNED -	REVISED -
PLOT SCALE = 100,0000' / in.	DRAWN -	REVISED -
PLOT DATE = 12/2/2022	CHECKED -	REVISED -
	DATE -	REVISED -

STATE OF ILLINOIS
 DEPARTMENT OF TRANSPORTATION

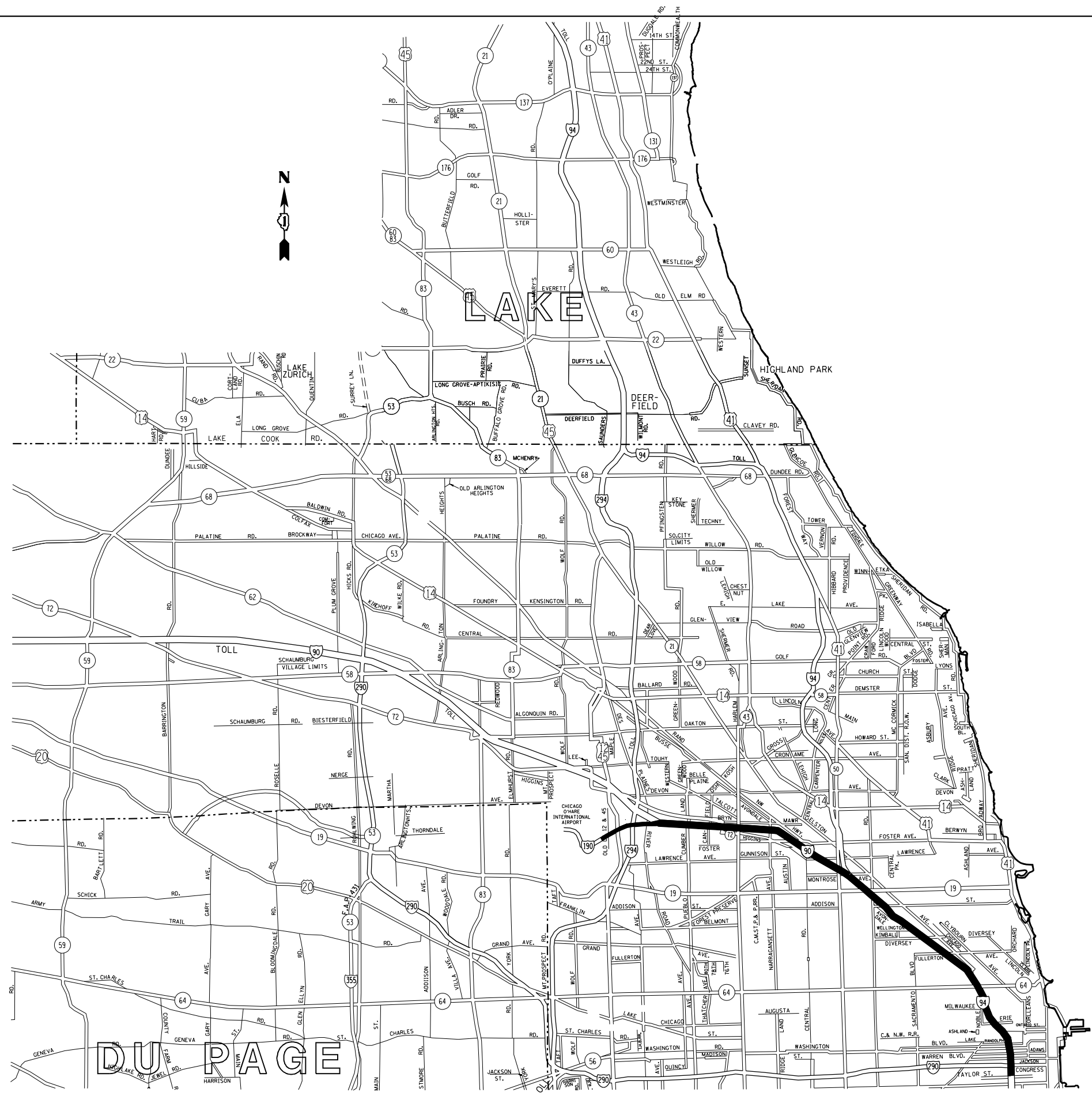
SUMMARY OF QUANTITIES				
SCHEDULE OF STARTING DATES				
SCALE:	SHEET	OF	SHEETS	STA. TO STA.

* FAI 90
 PAI 190
 FAI 94

F.A.I. RTE.	SECTION	COUNTY	TOTAL SHEETS	SHEET NO.
*	FAI 90 / FAI 94 22 LITTER	VAR	5	3
CONTRACT NO. 62U57				
ILLINOIS FED. AID PROJECT				

DISTRICT NO. 1

- == STATE HIGHWAYS & EXPRESSWAYS WITHIN STATE JURISDICTION (EXCEPT TOLLWAYS)
- == STATE HIGHWAYS & EXPRESSWAYS TO BE CLEANED
- == FUTURE HIGHWAYS
- == VARIOUS AGENCIES HIGHWAYS



* FAI 90
FAI 190
FAI 94

MODEL: Default
 FILE NAME: p:\ilidest-pw-benefits\com\PIV\DOT\Documents\DOT Offices\District 1\Projects\Sweeping_Contracts\CAD\Drawings\Drawings\SweepingContract2022.dwg

USER NAME = Rodrigo.Ledezma	DESIGNED -	REVISED -
	DRAWN -	REVISED -
PLOT SCALE = 100,0000' / in.	CHECKED -	REVISED -
PLOT DATE = 12/2/2022	DATE -	REVISED -

**STATE OF ILLINOIS
DEPARTMENT OF TRANSPORTATION**

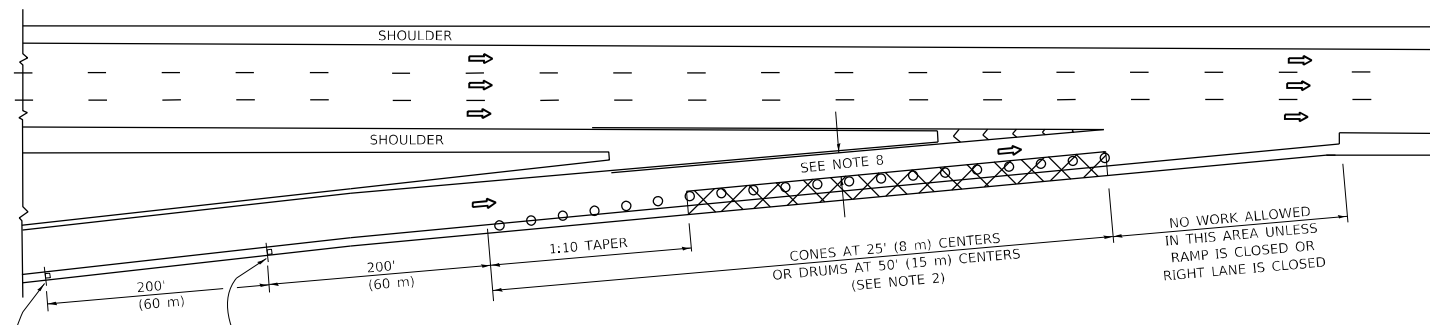
**EXPRESSWAY CLEANING LITTER/DEBRIS REMOVAL
I-190; I-90/94**

SCALE: SHEET OF SHEETS STA. TO STA.

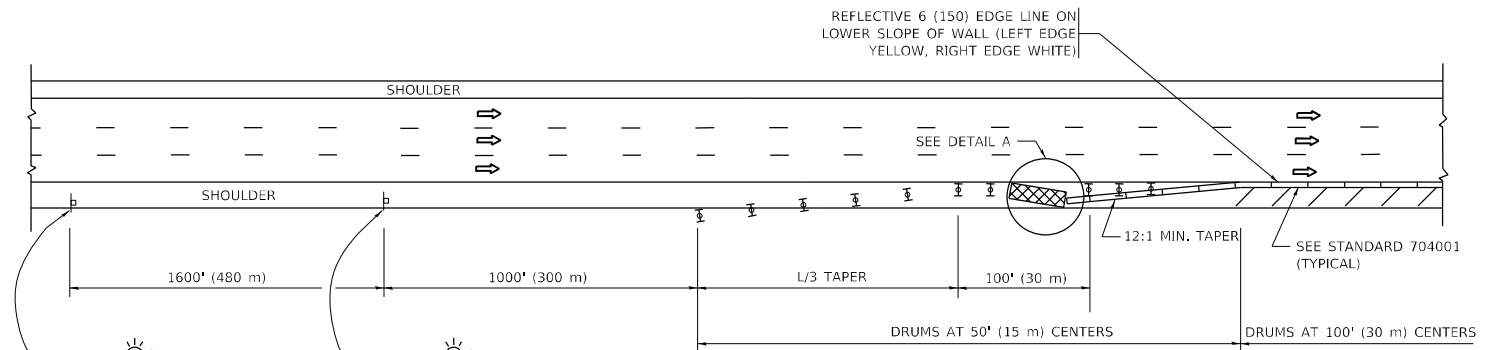
F.A.I. RTE.	SECTION	COUNTY	TOTAL SHEETS	SHEET NO.
FAI 90 / FAI 94	22 LITTER	VAR	5	4
CONTRACT NO. 62U57				
ILLINOIS FED. AID PROJECT				

PARTIAL RAMP CLOSURE DETAILS

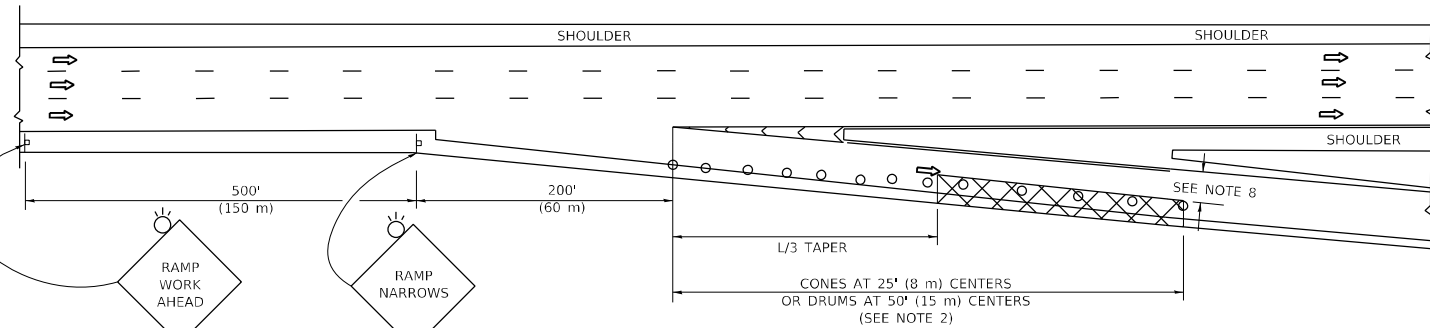
SHOULDER CLOSURE DETAILS



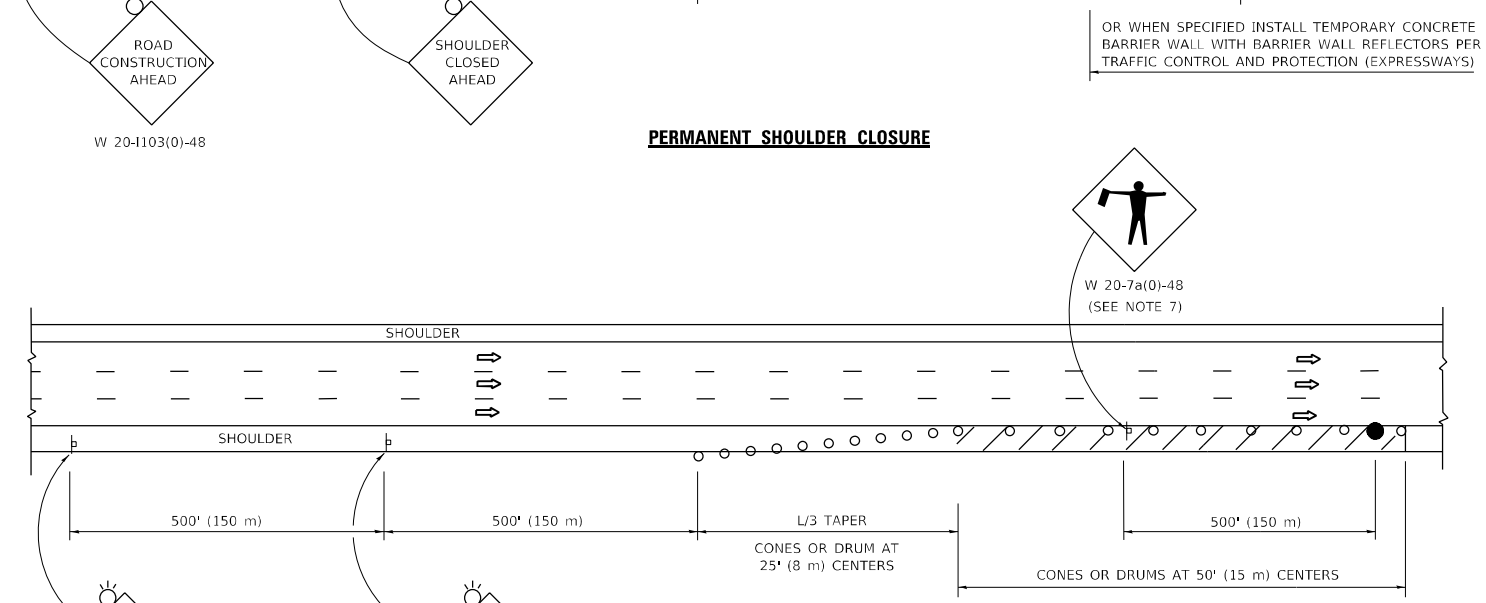
TYPICAL ENTRANCE RAMP



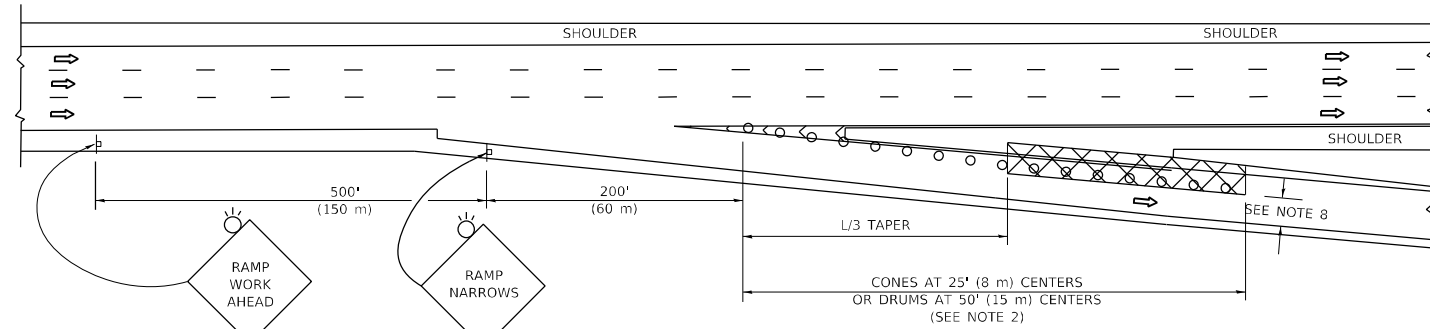
PERMANENT SHOULDER CLOSURE



TYPICAL EXIT RAMP



TEMPORARY SHOULDER CLOSURE



TYPICAL EXIT RAMP

SYMBOLS

- ACTIVE WORK AREA
- SIGN ON PORTABLE OR PERMANENT SUPPORT
- FLAGGER WITH CONTROL SIGN
- TYPE II BARRICADE OR DRUM
- CONE, DRUM OR BARRICADE
- IMPACT ATTENUATOR OF TYPE AND TEST LEVEL SPECIFIED

GENERAL NOTES:

1. THE "L" DISTANCE EQUALS:

$L = \frac{W \cdot S}{S - L}$	$L = \frac{W \cdot S}{S - L}$	$L = \frac{W \cdot S}{S - L}$
45 mph (80 km/h)	METRIC	ENGLISH
OR GREATER:	$L = 0.65(W/S)$	$L = (W/S)$

W = WIDTH OF OFFSET IN FEET (METERS)
 S = NORMAL POSTED SPEED MPH (KM/H)
2. TYPE II BARRICADES OR DRUMS ARE REQUIRED FOR ALL NIGHTTIME CLOSURES. TYPE II BARRICADES OR DRUMS WITH MONODIRECTIONAL STEADY BURN LIGHTS ARE REQUIRED FOR DELINEATING OBSTACLES, EXCAVATIONS, OR HAZARDS EXCEEDING 100 FT (30m) IN LENGTH AT NIGHT.
3. ALL SIGNS SHALL BE POST MOUNTED IF THE CLOSURE TIME EXCEEDS FOUR DAYS.
4. FLASHING LIGHTS SHALL BE USED DURING THE HOURS OF DARKNESS AND SHALL BE INSTALLED ABOVE THE FIRST TWO SETS OF SIGNS.

5. THE IMPACT ATTENUATOR, TEMPORARY IS NOT REQUIRED WHEN THE TEMPORARY CONCRETE BARRIER WALL IS PROTECTED BY OR IS TIED INTO THE EXISTING GUARDRAIL. IF OFFSET IS LESS THAN 5 FEET USE NARROW USE TYPE DEVICE TO MEET NCHRP350/MASH.
6. AUTHORIZATION FROM THE DISTRICT'S BUREAU OF TRAFFIC IS REQUIRED FOR ALL FREEWAY CLOSURES.
7. THE FLAGGER AND FLAGGER SIGN ARE REQUIRED AT THE ABOVE WORK SITES WHEN:
 - a. FOUR OR MORE WORK VEHICLES ENTER THE TRAFFIC LANES IN A ONE HOUR PERIOD.
 - b. THE WORK ACTIVITY REQUIRES FREQUENT ENCROACHMENT INTO THE LANE OPEN TO TRAFFIC.
 THE FLAGGER SHALL BE STATIONED APPROXIMATELY 100' (30 m) TO 200' (60 m) IN ADVANCE OF THE WORKERS.

8. 12' MIN. WIDTH TANGENT SECTION
16' MIN. WIDTH CURVE SECTION.
9. TEMPORARY SHOULDER AND NON-SYSTEM INTERCHANGE PARTIAL RAMP CLOSURES ARE ALLOWED WEEKDAYS BETWEEN 9:00 A.M. AND 3:00 P.M. AND BETWEEN 7:00 P.M. AND 5:00 A.M. OR AS APPROVED BY THE EXPRESSWAY TRAFFIC OPERATIONS ENGINEER. PERMANENT SHOULDER AND PARTIAL RAMP CLOSURES WILL ONLY BE PERMITTED IF CALLED FOR IN THE PLANS OR AS APPROVED BY THE EXPRESSWAY OPERATIONS ENGINEER.



**DETAIL "A"
IMPACT ATTENUATOR, TEMPORARY
(SEE NOTE 5)**

ALL DIMENSIONS ARE IN INCHES (MILLIMETERS) UNLESS OTHERWISE SHOWN.

MODEL: Default
FILE: \\bluemc-pw-bentley.com\PIV\DOT\Documents\DOT Office\Director: \Projects\Sweeping\Contract\CAD\Drawings\Contract2022.dwg

USER NAME = Rodrigo.Ledezma	DESIGNED -	REVISED - S.P.B. 12-09
	DRAWN - D.W.S.	REVISED - M.D. 06-13
PLOT SCALE = 100,0000' / in.	CHECKED -	REVISED - M.D. 01-18
PLOT DATE = 12/2/2022	DATE - 11-96	REVISED - M.D. 10-20

**STATE OF ILLINOIS
DEPARTMENT OF TRANSPORTATION**

**TRAFFIC CONTROL DETAILS FOR FREEWAY
SHOULDER CLOSURES AND PARTIAL RAMP CLOSURES**

SCALE: NONE SHEET 1 OF 1 SHEETS STA. TO STA.

F.A.I. RTE.	SECTION	COUNTY	TOTAL SHEETS	SHEET NO.
FAI 90 / FAI 94 22 LITTER	VAR		5	5
TC-17			CONTRACT NO. 62U57	
ILLINOIS FED. AID PROJECT				