

STATE OF ILLINOIS
DEPARTMENT OF TRANSPORTATION

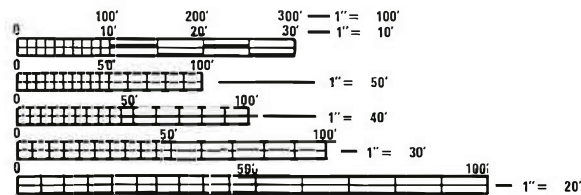
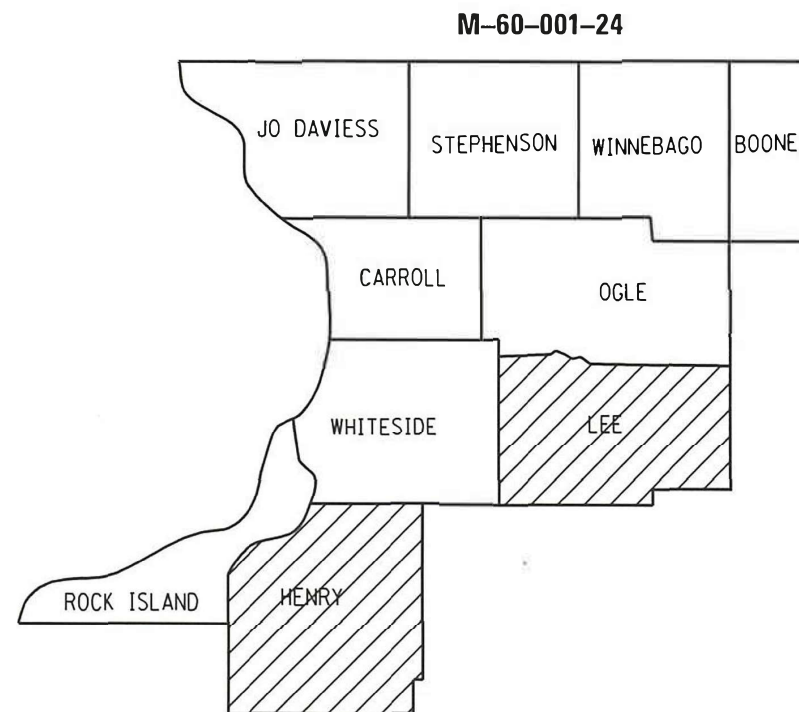
F.A. RTE.	SECTION	COUNTY	TOTAL SHEETS	SHEET NO.
VAR.	D2 GRDRL DELIN MAINT INT 24-01	ILLINOIS	5	1
CONTRACT NO. 46611				

D-2

FOR INDEX OF SHEETS, SEE SHEET NO. 2
FOR STATE STANDARDS, SEE SHEET NO. 2

PROPOSED
HIGHWAY PLANS

VARIOUS ROUTES
SECTION D2 GRDRL DELIN MAINT INT 24-01
GUARDRAIL DELINEATOR MAINTENANCE
VARIOUS COUNTIES



FULL SIZE PLANS HAVE BEEN PREPARED USING STANDARD ENGINEERING SCALES. REDUCED SIZED PLANS WILL NOT CONFORM TO STANDARD SCALES. IN MAKING MEASUREMENTS ON REDUCED PLANS, THE ABOVE SCALES MAY BE USED.

J.U.L.I.E.
JOINT UTILITY LOCATION INFORMATION FOR EXCAVATION
1-800-892-0123
OR 811

PROJECT ENGINEER: TROY EBENEZER (815) 284-5491
PROJECT MANAGER: KRISTIE NYDEREK (815) 284-5469

CONTRACT NO. 46611

STATE OF ILLINOIS
DEPARTMENT OF TRANSPORTATION

SUBMITTED November 16, 2022

[Signature]
REGIONAL ENGINEER

February 3, 2023
[Signature]
ENGINEER OF DESIGN AND ENVIRONMENT

February 3, 2023
[Signature]
DIRECTOR OF HIGHWAYS PROJECT IMPLEMENTATION

PRINTED BY THE AUTHORITY
OF THE STATE OF ILLINOIS

INDEX OF SHEETS

1	COVER SHEET
2	INDEX OF SHEETS, STATE STANDARDS & GENERAL NOTES
3	SUMMARY OF QUANTITIES
4	SCHEDULE OF QUANTITIES
5	FLEX-STRAIGHT GUARDRAIL REFLECTOR STANDARD

STATE STANDARDS

701006-05	OFF-ROAD OPERATION, 2L2W, 15FT TO E.O.P.
701011-04	OFF-ROAD MOVING OPERATION, 2L2W, DAY ONLY
701101-05	OFF-ROAD OPERATION, MULTI-LANE, LESS THAN 15FT TO E.O.P.
701106-02	OFF-ROAD OPERATION, MULTI-LANE, MORE THAN 15FT AWAY
701301-04	LANE CLOSURE, 2L2W, SHORT TIME OPERATION
701406-13	LANE CLOSURE, FREEWAY-EXPRESSWAY, DAY OPERATION ONLY
701426-09	LANE CLOSURE, MULTI-LANE, INTERMITTANT OR MOVING OPERATION, ≥45 MPH
701427-05	LANE CLOSURE, MULTI-LANE, INTERMITTANT OR MOVING OPERATION, ≤40 MPH
701901-08	TRAFFIC CONTROL DEVICES
720011-01	METAL POSTS FOR SIGNS, MARKERS & DELINEATORS
725001-01	OBJECT & TERMINAL MARKERS
729001-01	APPLICATION OF TYPES A & B POSTS
782006-01	GUARDRAIL & BARRIER WALL REFLECTOR MOUNTING DETAILS
701400-11	APPROACH TO LANE CLOSURE, FREEWAY/EXPRESSWAY

GENERAL NOTES

ALL GUARDRAIL DELINEATORS TYPE C SPECIALS SHALL BE OF THE FLEX-STRAIGHT, DOUBLE SIDED STYLE

AT LOCATIONS THAT ARE TO RECEIVE A NEW TERMINAL MARKER - POST MOUNTED, ALL EXISTING TERMINAL MARKER - POST MOUNTED POSTS AND PANELS SHALL BE REMOVED AND DISPOSED OF. ALL POST AND PANELS THAT ARE REMOVED UNDER THIS CONTRACT SHALL BECOME THE PROPERTY OF THE CONTRACTOR.

THE CONTRACTOR IS SOLELY RESPONSIBLE FOR CALLING JULIE LOCATES IN ALL AREAS THAT ARE TO RECEIVE NEW TERMINAL MARKER POSTS PRIOR TO THE INSTALLATION OF THE NEW POSTS.

AT LOCATIONS THAT ARE TO RECEIVE NEW GUARDRAIL MARKERS - TYPE C SPECIAL, THE CONTRACTOR SHALL REMOVE AND DISPOSE OF ANY EXISTING REFLECTOR MARKERS - TYPE A OR TYPE B OR TYPE C ON GUARDRAIL, PARAPET OR BRIDGE RAIL AS WELL AS ANY ADHESIVE USED TO SECURE THE REFLECTOR MARKERS, TYPE B OR TYPE C, TO THE SATISFACTION OF THE ENGINEER. ALL REMOVED REFLECTOR MARKERS, TYPE A OR TYPE B OR TYPE C, SHALL BECOME THE PROPERTY OF THE CONTRACTOR. ALL COST AND LABOR ASSOCIATED WITH THE REMOVAL OF THE REFLECTOR MARKERS, TYPE B OR TYPE C, SHALL BE INCLUDED WITH GUARDRAIL MARKERS, TYPE C SPECIAL.

AT LOCATIONS THAT ARE TO RECEIVE A NEW TERMINAL MARKER - DIRECT APPLIED, ALL EXISTING TERMINAL MARKER - DIRECT APPLIED, SHALL BE REMOVED AND DISPOSED OF. ALL TERMINAL MARKERS THAT ARE REMOVED UNDER THIS CONTRACT SHALL BECOME THE PROPERTY OF THE CONTRACTOR.

THE QUANTITIES SPECIFIED IN THIS CONTRACT ARE ONLY AN ESTIMATE OF THE QUANTITIES REQUIRED FOR THE DURATION OF THE CONTRACT. THE ESTIMATE IS GIVEN TO ALLOW CONTRACTORS TO ESTABLISH A UNIT PRICE SO THAT THE DEPARTMENT MAY DETERMINE A LOW BIDDER. IT SHALL BE UNDERSTOOD THAT THE UNIT PRICE SHALL PREVAIL THROUGHOUT THE PERIOD OF THIS CONTRACT REGARDLESS OF THE QUANTITY.

MODEL: Definit FILE NAME: D:\Guardrail Reflector Contract\Contract_Fema44611.mxd\refl.delineator_plans.dgn

USER NAME = Troy Ebenezer	DESIGNED -	REVISED -
	DRAWN -	REVISED -
PLOT SCALE = 102.9963' / in.	CHECKED -	REVISED -
PLOT DATE = Nov-15-2022 10:02:22 AM	DATE -	REVISED -

STATE OF ILLINOIS
DEPARTMENT OF TRANSPORTATION

INDEX OF SHEETS, STATE STANDARDS & GENERAL NOTES	
SCALE: _____	SHEET _____ OF _____ SHEETS
STA. _____	TO STA. _____

F.A. RTE.	SECTION	COUNTY	TOTAL SHEETS	SHEET NO.
VAR.	D2 GRDRL DELIN MAINT 10/27/20	VARIOUS	2	2
CONTRACT NO. 46611			ILLINOIS FED. AID PROJECT	

SUMMARY OF QUANTITIES

PAYCODE	ITEM DESCRIPTION	UNITS	TOTAL QUANTITY	CONSTR. CODE 0021
				GUARDRAIL DELINEATORS 100% STATE
72501000	TERMINAL MARKER - DA	EACH	1,058	1,058
72501100	TERMINAL MARKER - PM	EACH	108	108
X7820007	GRDRAIL REF TYPE C SPL	EACH	5,373	5,373

MODEL: D:\dwg\refl\refl\refl.dwg 2024 Guardrail Reflector Contract\Contract Form\46611 - 2024 Guardrail Reflector Contract\Contract Form\46611.dgn

USER NAME = Troy Ebenezer PLOT SCALE = 102.9963 1/8" = 1" PLOT DATE = Nov-15-2022 11:32:11 AM	DESIGNED - _____ DRAWN - _____ CHECKED - _____ DATE - _____	REVISED - _____ REVISED - _____ REVISED - _____ REVISED - _____	STATE OF ILLINOIS DEPARTMENT OF TRANSPORTATION	SUMMARY OF QUANTITIES	F.A. RTE. _____ VAR. D2 GRDRL DELIN MAINT INT 24-01	COUNTY VARIOUS	TOTAL SHEETS 3 CONTRACT NO. 46611
			SCALE: _____ SHEET _____ OF _____ SHEETS STA _____ TO STA _____		ILLINOIS FED. AID PROJECT		

SCHEDULE OF QUANTITIES

CONTRACT FOR HENRY AND LEE COUNTIES

		TERMINAL MARKER									
		GUARDRAIL REFL X7820007		DIRECT APPLIED 72501000						POST MOUNT 72501100	
FIELD TOTALS		TYPE C, SPECIAL		12"x18"		12"x 24"		18"x18"		12"x16"	
		CRYSTAL	AMBER	LT	RT	LT	RT	LT	RT	LT	RT
HENRY COUNTY		3239	533	15	3	123	92	243	210	39	38
LEE COUNTY		813	87	13	12	37	34	67	69	9	7
(+15%)		608	93	4	2	24	19	47	42	7	7
CONTRACT TOTAL		4660	713	33	18	184	145	357	321	56	52

MODEL: D:\PA\Illinois\Reflector\Contract\Contract Form\46611.mxd
FILE NAME: C:\Users\jebenezer\OneDrive\Documents\46611.mxd

USER NAME = Troy Ebenezer	DESIGNED - _____	REVISED - _____
PLOT SCALE = 102.9363' / in.	DRAWN - _____	REVISED - _____
PLOT DATE = Nov-15-2022 10:02:53 AM	CHECKED - _____	REVISED - _____
	DATE - _____	REVISED - _____

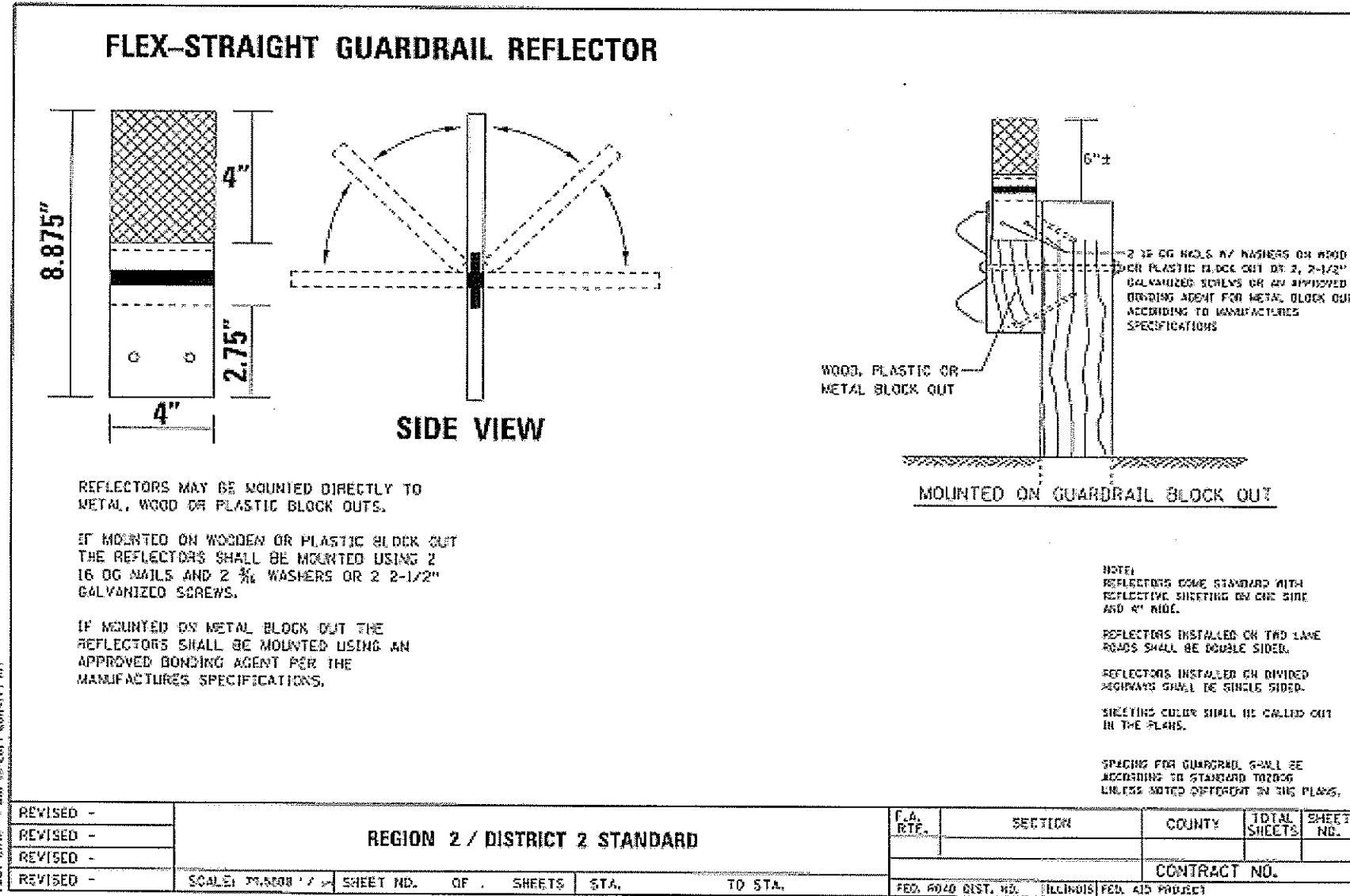
**STATE OF ILLINOIS
DEPARTMENT OF TRANSPORTATION**

SCHEDULE OF QUANTITIES

SCALE: _____ SHEET _____ OF _____ SHEETS STA. _____ TO STA. _____

F.A. RTE.	SECTION	COUNTY	TOTAL SHEETS	SHEET NO.
VAR.	D2 CRDRL DELIN MAIN	VARIOUS	4	4
ILLINOIS FED. AID PROJECT			CONTRACT NO. 46611	

FLEX-STRAIGHT GUARDRAIL REFLECTOR



MODEL: D:\DWG\Guardrail Reflector\2024\46611 - 2024 Guardrail Reflector.dwg; Contract: 46611; Title: Guardrail Reflector; Date: 11/15/2022 10:03:02 AM

USER NAME: Troy Ebenezer	DESIGNED: _____	REVISED: _____	STATE OF ILLINOIS DEPARTMENT OF TRANSPORTATION	FLEX-STRAIGHT GUARDRAIL REFLECTOR		F.A. RTE.:	SECTION:	COUNTY:	TOTAL SHEETS:	SHEET NO.:
PLOT SCALE: 1/8" = 1'-0"	DRAWN: _____	REVISED: _____		VAR.:	DZ GRDRL DELIN MAINT	VARIOUS	5			
PLOT DATE: 11/15/2022 10:03:02 AM	CHECKED: _____	REVISED: _____		CONTRACT NO. 46611						
	DATE: _____	REVISED: _____		SCALE: _____	SHEET _____	OF _____	SHEETS	STA. _____	TO STA. _____	ILLINOIS FED. AID PROJECT