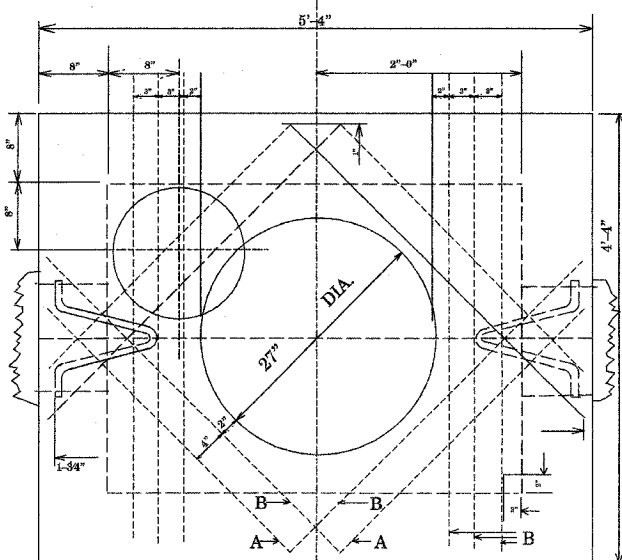
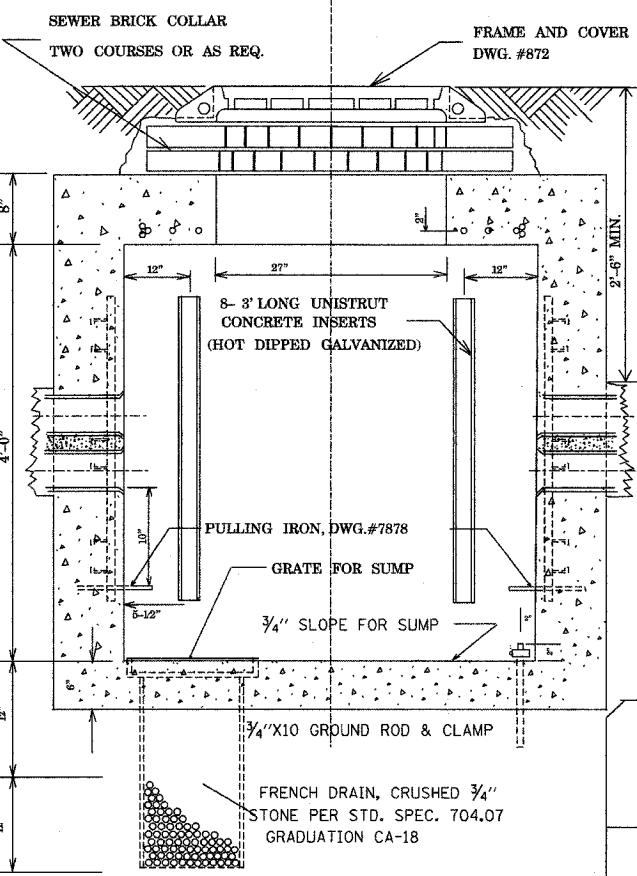


FAI RTE.	SECTION	COUNTY	TOTAL SHEETS	SHEET NO.
90	1314B	COOK	160	53
FED. ROAD DIST. NO.		ILLINOIS	FED. AID PROJECT	



ROOF PLAN, SECTION B-B

DRG.	MATERIAL	CODE	SIZE	No. Req.
	FORM FOR MANHOLE	17-6674-6000 17-6648-5320	3x4x4	1
	CONDUIT END BELL		AS REQ.	
	TILE, SEWER	39-4038-3200	12"x24"	
	SLAB BOLSTER		2"	20'
	ROD, REINFORCING	20-5472-9650	5/8" Ø	54'
	TIE WIRE	13-9938-6106	*20GA.	35'
7878	PULLING IRON	02-4483-6970	3/4" Ø	
	REDI-MIX CONC.	05-3267-2940	3 CU. YDS	
	SEWER BRICK	05-1452-9720	STD.	50
10792	GRATE FOR SUMP	02-4368-7100	15" Ø	1
	GROUND ROD	09-7796-9200	3/4"x10'	1
	GROUND ROD CLAMP	09-2636-3240	3/4"	1
	CRUSHED STONE	05-9057-5471	3/4"	TWO BAG
	MANHOLE FRAME	02-4299-5524	24"	1
	MANHOLE COVER	02-4574-5040	24"	1
	CONC. UNISTRUT INSERT		1-5/8" x3"	8



SECTION A-A

EXCAVATION	
COMPLETE MANHOLE	6.0 YARDS
NEW ROOF ONLY	2.0 YARDS
SHEETING MANHOLE	150.0 SQ. FT.

5/8" DIA. REINFORCING RODS			
BAR	LENGTH	NO. OF RODS	TOTAL FT.
A	3'-4"	4	13'-4"
B	4'-0"	10	40'-0"

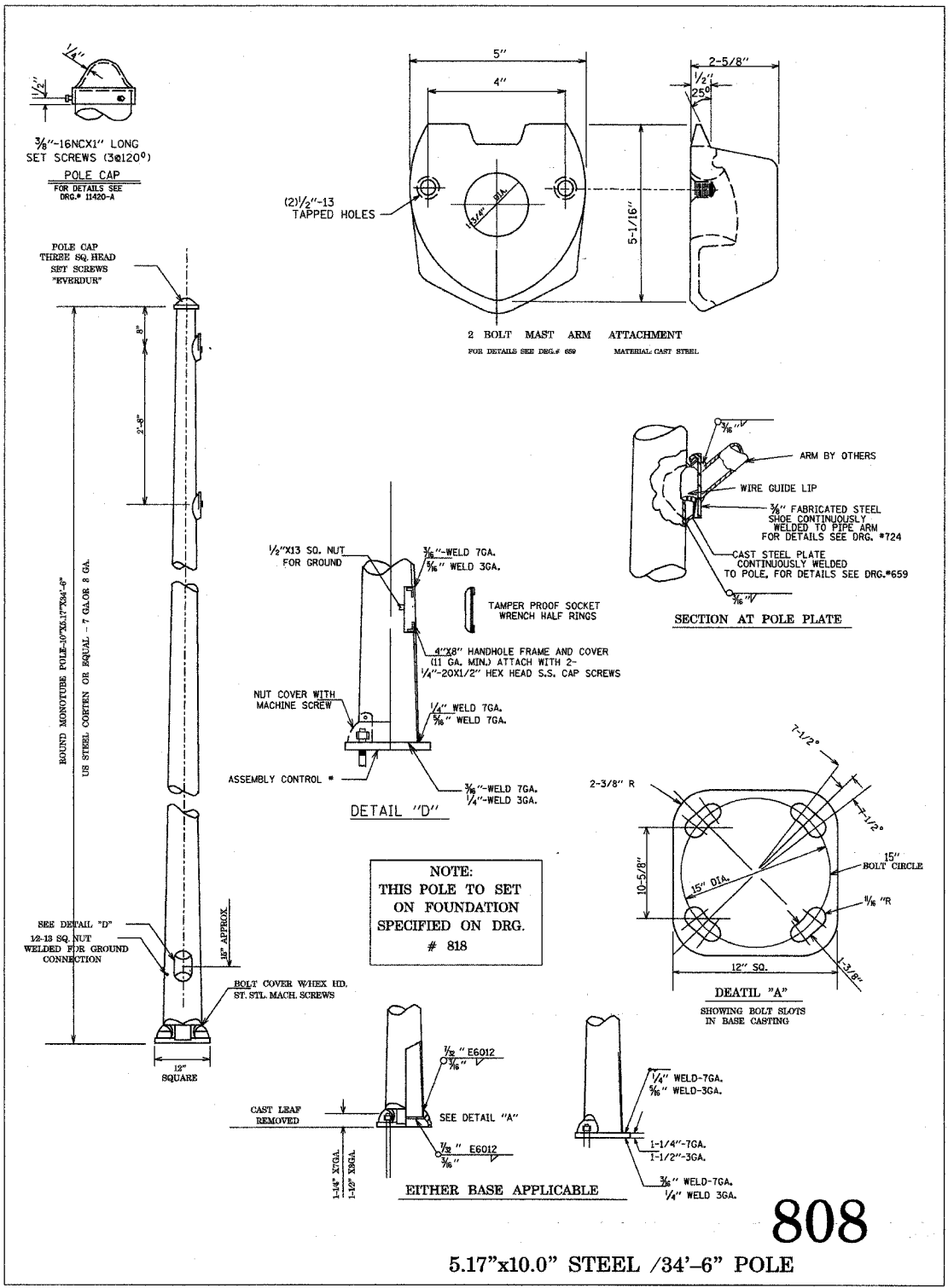
MATERIALS FOR ROOF ONLY	
REDI-MIX CONC.	CLASS X, 0.45 CU. YDS.
REINFORCING ROD	5/8" DIA., 54'

- NOTES:
1. ALL METALLIC CONDUIT(S) ENTERING MANHOLE SHALL EXTEND MINIMUM OF 1" & MAX OF 3" INSIDE INNER WALL & BE THREADED GROUNDING BUSHING.
 2. ALL METALLIC CONDUIT(S) & LEAD SHEATHED CABLES SHALL BE BONDED TOGETHER & GROUNDED

3' X 4' X 4'
CONCRETE MANHOLE
WITH 24" FRAME AND COVER

CITY OF CHICAGO
DEPT. OF STREETS AND SANITATION
BUREAU OF ELECTRICITY
DIVISION OF ELECTRICAL ENGINEERING

SUPERCEDES DWG. 730 DATED NOV. 21, 1973	JAN. 12, 1996	730



NOTE:
THIS POLE TO SET
ON FOUNDATION
SPECIFIED ON DRG.
818

808

REVISIONS	
NAME	DATE

ILLINOIS DEPARTMENT OF TRANSPORTATION
NAGLE AVENUE OVER FAI-90
(KENNEDY EXPY)
CITY OF CHICAGO
STANDARD TRAFFIC SIGNAL
DETAILS

SCALE: NONE
DATE: DEC 2004

DRAWN BY: MAD
CHECKED BY: DS