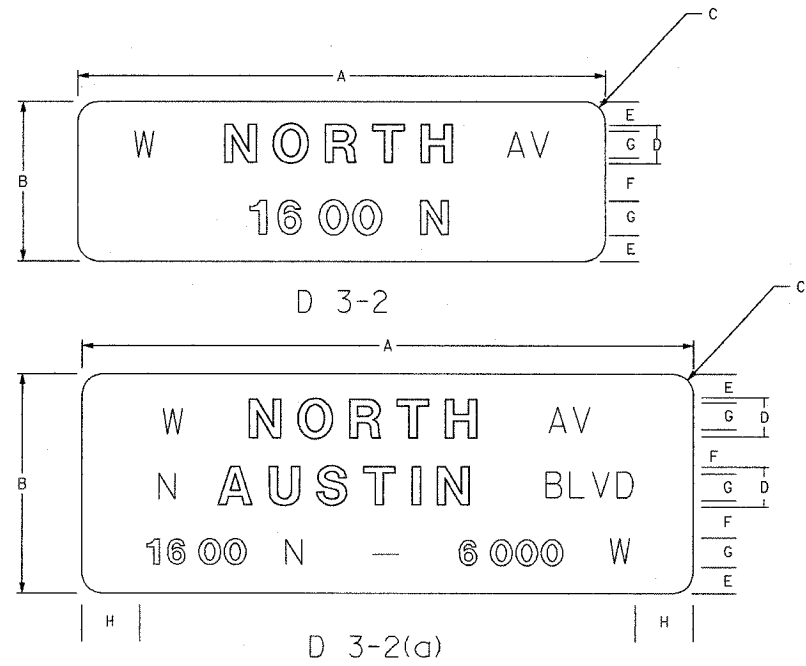
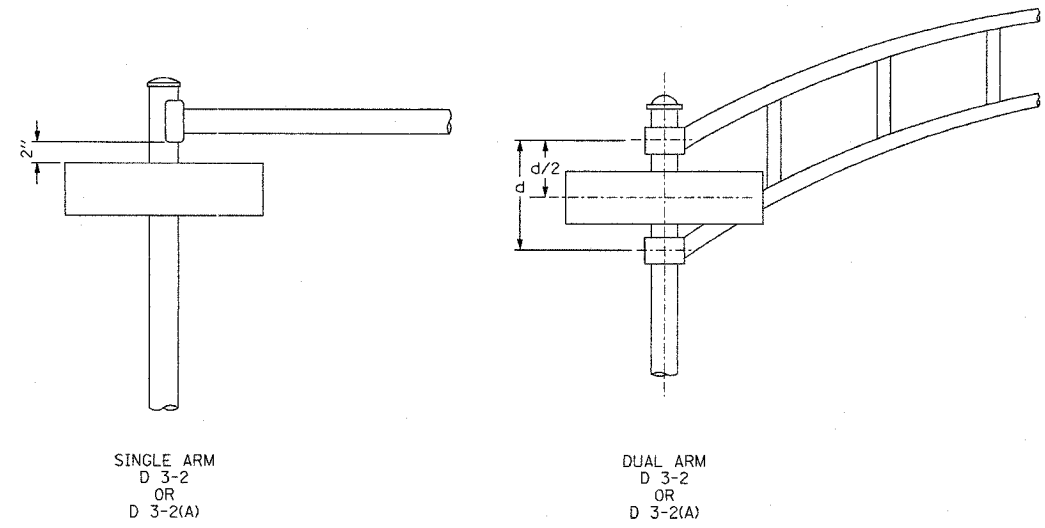


60293

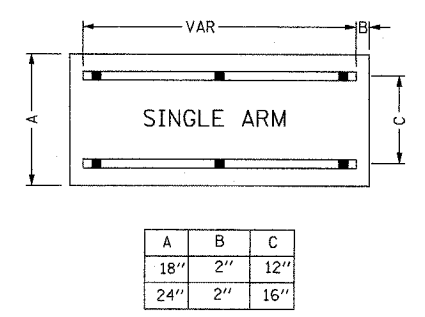
FAI RTE.	SECTION	COUNTY	TOTAL SHEETS	SHEET NO.
90	1314B	COOK	160	55
FED. ROAD DIST. NO.			ILLINOIS FED. AID PROJECT	



MOUNTING LOCATIONS



DETAIL "A"  
SUPPORTING CHANNELS

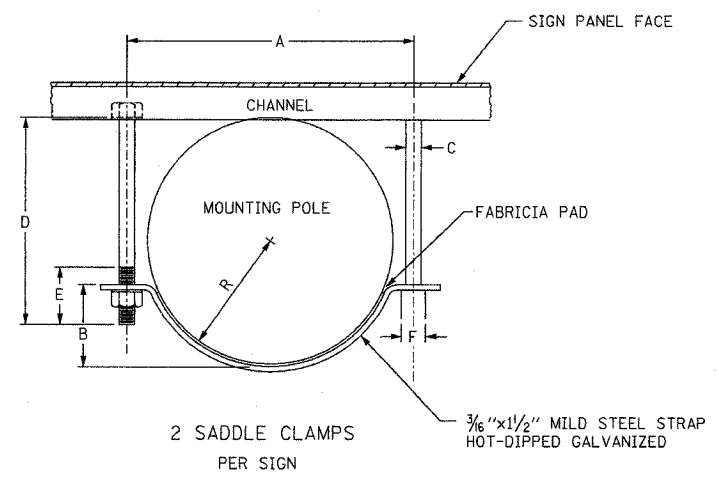


SIGN TYPE	SIGN SIZE	D3-2 TYPE SIGN DIMENSIONS								LETTER SIZE LINES			BORDER
		A	B	C	D	E	F	G	H	1	2	3	
D3-2	VAR x 18	VAR	18"	1.0"	6.0"	3.0"	2.0"	4D	4" T06"	6D	4D	-	1.0"
D3-2(a)	VAR x 24	VAR	24"	1.0"	6.0"	2.5"	1.5"	4D	4" T06"	6D	4D	4D	1.0"

SPECIAL DESIGN SPECIFICATIONS

- The State of Illinois Department of Transportation standard specifications for traffic control items shall apply except where noted herein.
- The D3-2 and D3-2a sign length shall not be less than 4'-0" or greater than 6'-0". Sign length shall be determined by message copy, dictated by 6" capital letter series D, appropriate space chart layout, and the table of dimensions D, where a required message layout would exceed maximum length of panel allowed the contractor shall layout to a reduced series stroke width. Letter series height shall remain as 6" capitals.
- Reflective sheeting shall conform to T602.01 TYPE A with green background and white letter and border.
- The sign panel shall conform to 601.01 TYPE 1. Supporting channels and panel to channel attachment hardware shall be in conformance to detail "A" of this plan sheet.
- Sign installation hardware shall be in conformance to detail "B" of this plan sheet.

DETAIL "B"

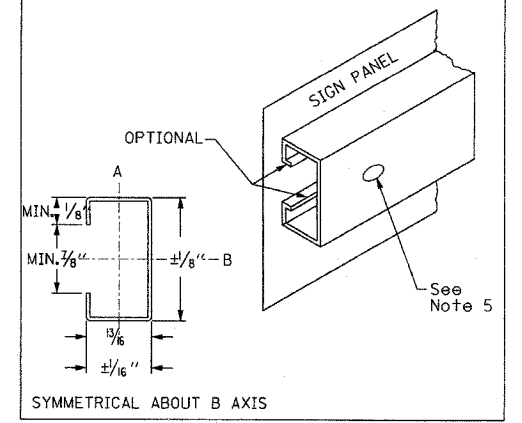


MOUNTING POLE	D3-2 TYPE MOUNT DIMENSIONS						
	R	A	B	C	D	E	F
10"	4"	9"	2 5/8"	3/16"	7"	2 1/2"	1 1/2"
11"	4 1/2"	10"	3"	3/16"	7"	2 1/2"	1 1/2"
12 1/2"	5 1/4"	11 1/2"	3 1/2"	1/2"	8"	2"	3/16"

STEEL (MILD STRIP, ASTM A.525)  
Section modulus, axle A - .050 in<sup>3</sup> minimum  
Section modulus, axle B - .105 in<sup>3</sup> minimum  
Galvanized before forming in accordance with ASTM A.525. Coating Designation G 90 or alter forming in accordance with AASHTO M-232, class B-2

or

ALUMINUM (6061 T6 or 6063 T5 or T6)  
Section modulus, axle A - .150 in<sup>3</sup> minimum  
Section modulus, axle B - .318 in<sup>3</sup> minimum



- All mounting hardware, exclusive of supporting channels shall be zinc or cadmium plated steel or stainless steel.
- All bolts and nuts shall have National Coarse Thread (UNC).
- All signs mounted to supporting channels shall be attached with at least 3/16" diameter hex bolts.
- Horizontal supporting channels used to brace individual signs shall be located using the mounting holes prepunched in the sign blank.
- Mounting holes in the supporting channel shall be 3/16" diameter. Channel material with prepunched holes at 2" centers may be used.
- Sign panel to channel bolt centers should not exceed 2'-0".

G:/PROJECTS/JOE268/SIGNAL/NAGLE/TS-15.DGN

REVISIONS		ILLINOIS DEPARTMENT OF TRANSPORTATION NAGLE AVENUE OVER FAI-90 (KENNEDY EXPY) CITY OF CHICAGO POLE AND MAST ARM MOUNTING POLE STANDARD STREET NAME SIGNS
NAME	DATE	
		SCALE: NONE
		DATE: DEC 2004
		DRAWN BY: RSV
		CHECKED BY: DS

TS-15