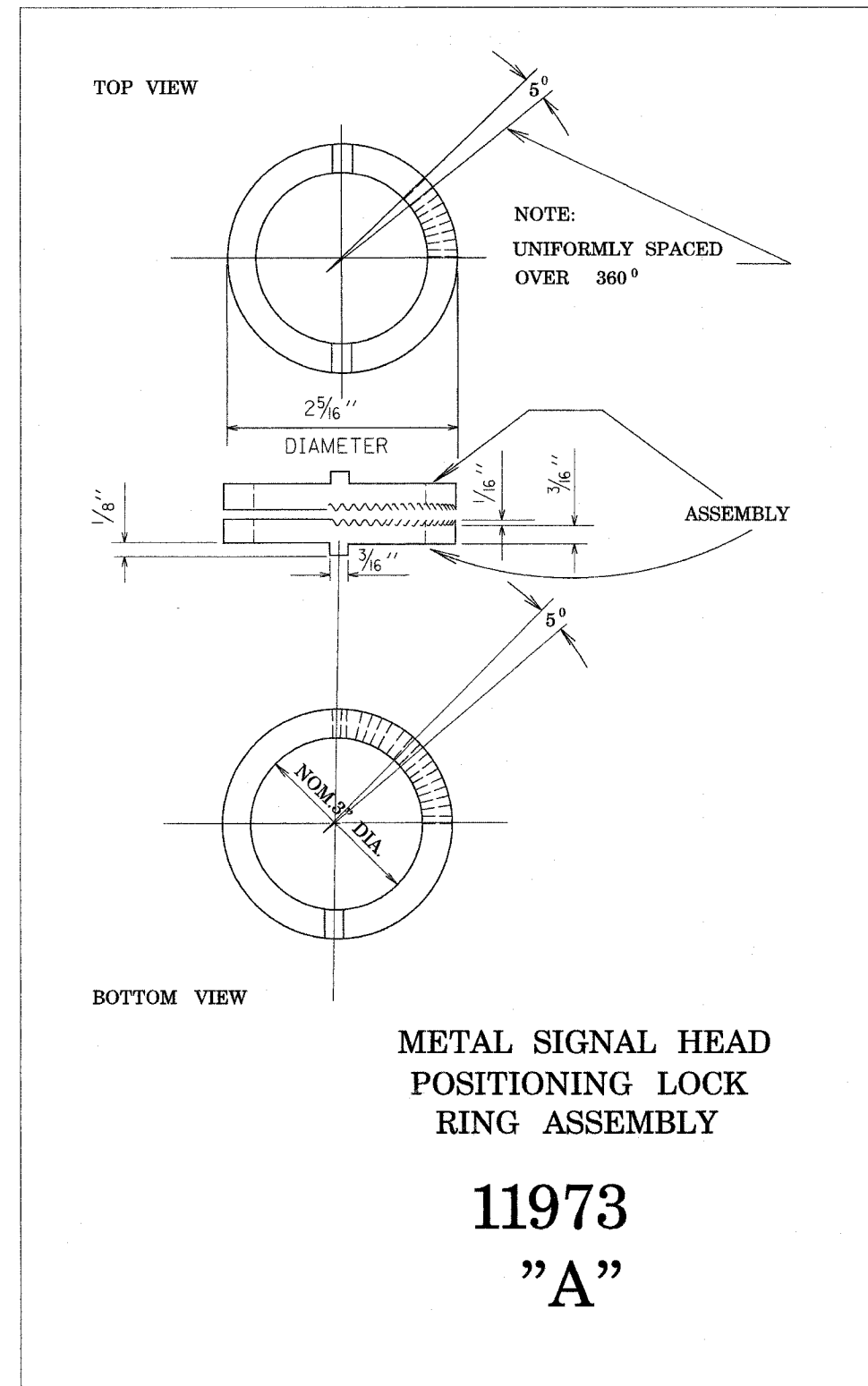
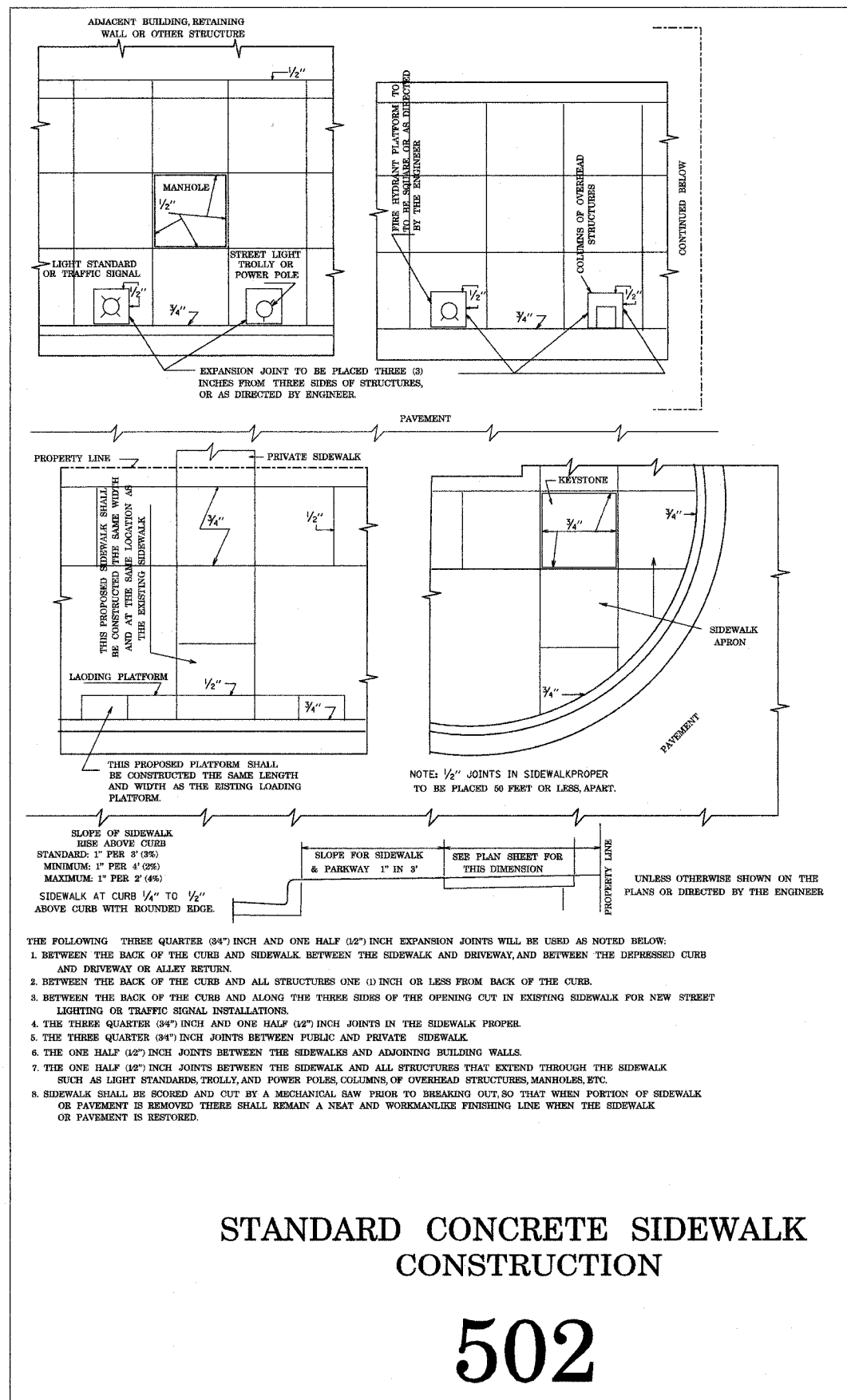


FAI RTE.	SECTION	COUNTY	TOTAL SHEETS	SHEET NO.
90	1314B	COOK	160	61
FED. ROAD DIST. NO.			ILLINOIS FED. AID PROJECT	



G:\PROJECTS\JOB268\SIGNAL\NAGLE\TS-21.DGN

REVISIONS		ILLINOIS DEPARTMENT OF TRANSPORTATION NAGLE AVENUE OVER FAI-90 (KENNEDY EXPY) CITY OF CHICAGO STANDARD TRAFFIC SIGNAL DETAILS
NAME	DATE	

SCALE: NONE DRAWN BY: CBR
DATE: DEC 2004 CHECKED BY: DS