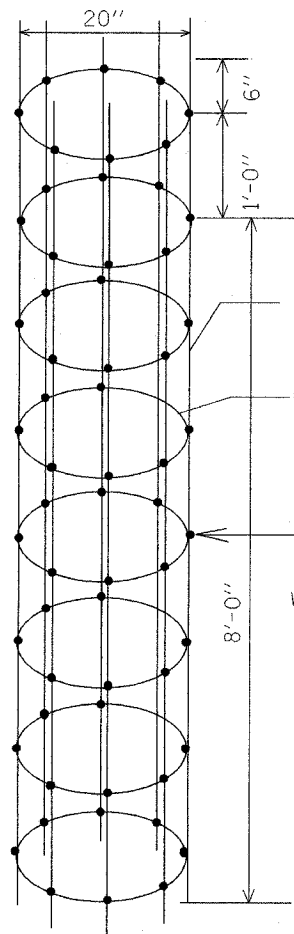


FAT RTE.	SECTION	COUNTY	TOTAL SHEETS	SHEET NO.
90	1314B	COOK	160	71
FED. ROAD DIST. NO.		ILLINOIS	FED. AID PROJECT	

DT. 02-19-01
G:/PROJECTS/JOB268/LTG/NAGLE/ES.DGN

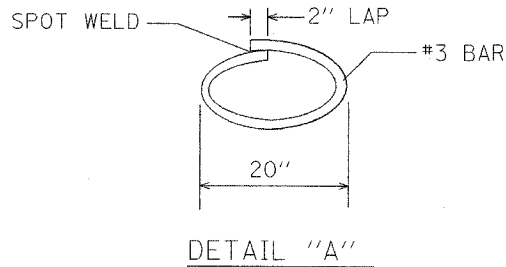


ISOMETRIC VIEW OF STEEL CAGE

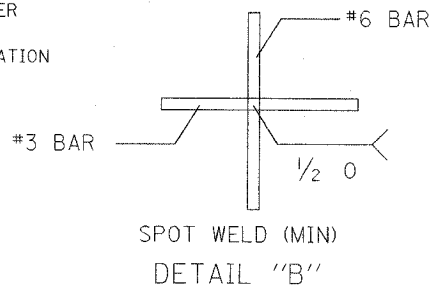
ASTM A615-6D

BAR NO.	WPF LBS.	DIA. INCHES	AREA INCHES	PERIMETER INCHES
3	.376	.375	.11	1.178
6	1.502	.750	.44	2.356

CODE	COMMODITY	SIZE	QUANTITY
20-5472-9660	REINFORCING ROD	#6X8'	96*
20-5472-9630		3	9
05-5054-0000	REBAR CAGE	8'X20"	1
20-9545-	WELDING ROD LINCOLN	#7018	5*
31-	WELD OR EQUAL		
	WIRE STEEL TIE		
	ST. STL. QD #423		
	COND. "A" SOFT	.062	1.0*

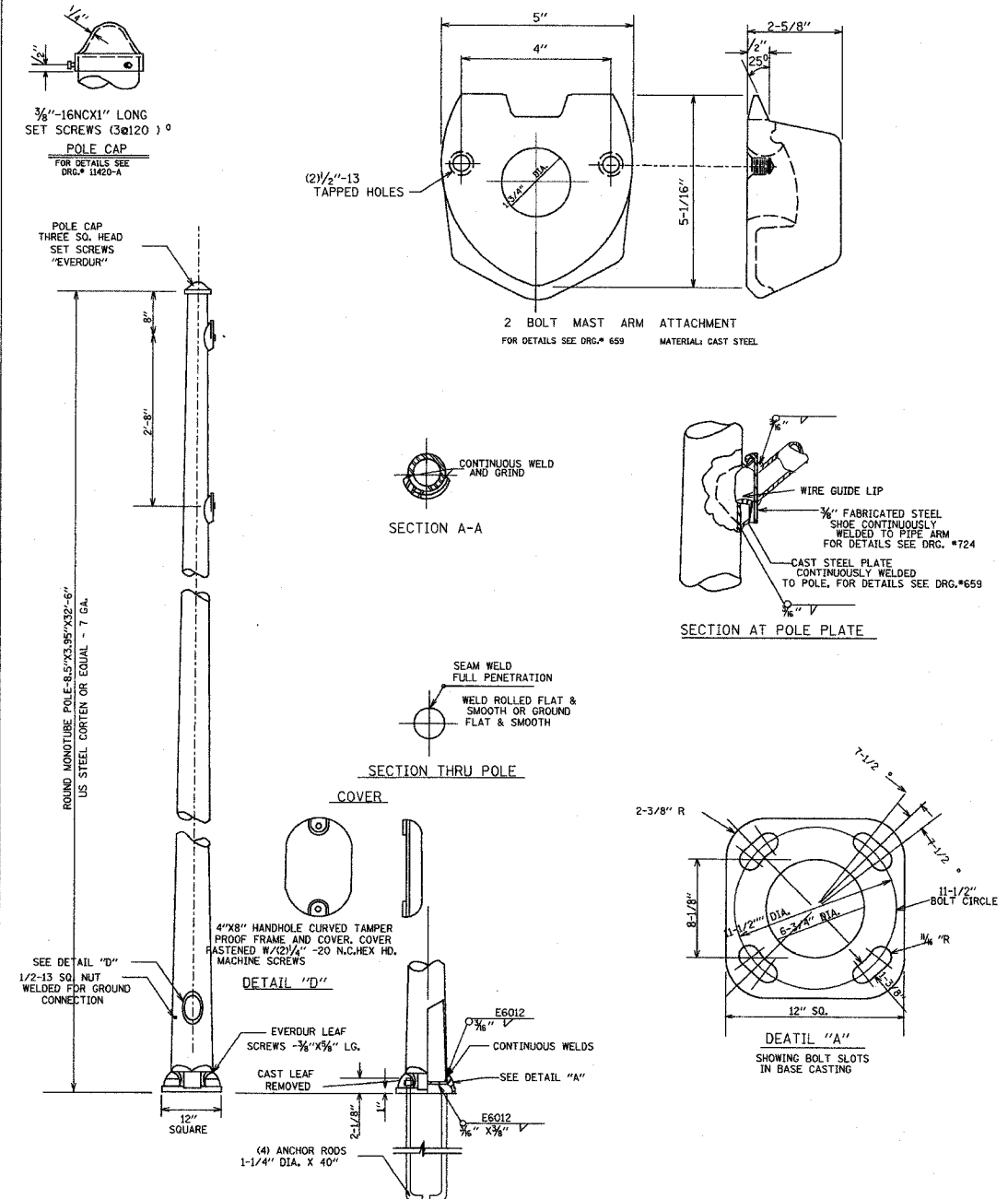


TACK WELD AND TIE ALL JUNCTION PTS. WITH STAINLESS STEEL BRIGHT SOFT TEMPER WIRE .002" AS PER MATERIAL SPECIFICATION



MATERIAL SPECIFICATIONS:
CONCRETE REINFORCING BARS
BILLET STEEL DEFORMED BARS

C			
B			
A	REDRAWN		
DATE		REVISION	
WORK ORDER NO.		DATE	
COST ALLOCATION ACCOUNT		MATERIAL	
APPROPRIATION ACCOUNT		LABOR	
COMMODITY CODE 05-5054-6910			
FORM CAGE TYPE STEEL REINFORCING ROD FOR STREET LIGHT FOUNDATION			
CITY OF CHICAGO DEPT. OF STREETS AND SANITATION BUREAU OF ELECTRICITY DIVISION OF ELECTRICAL ENGINEERING			
DRAFTSMAN:	R. CARTER	DESIGNER:	R.L. MARTIN
SUPERVISING ENGINEER:	MICHAEL J. SHINE	DRAWING NO.:	793
ENGINEER OF ELECTRICITY:	RONALD O. POOL	DATE:	March 25, 1997
SUPT. OF CONSTRUCTION:		SCALE:	NONE
DEPUTY COMMISSIONER:	JAMES K. HEFFERNAN	DATE:	
SIZE:	18" x 29"	SCALE:	NONE



762

REVISIONS	
NAME	DATE

ILLINOIS DEPARTMENT OF TRANSPORTATION
NAGLE AVE. OVER FAI-90
(KENNEDY EXPY)
CITY OF CHICAGO
32'-6" POLE FOUNDATION DETAILS
SCALE: NONE
DATE: DEC 2004
DRAWN BY: RSV
CHECKED BY: SM