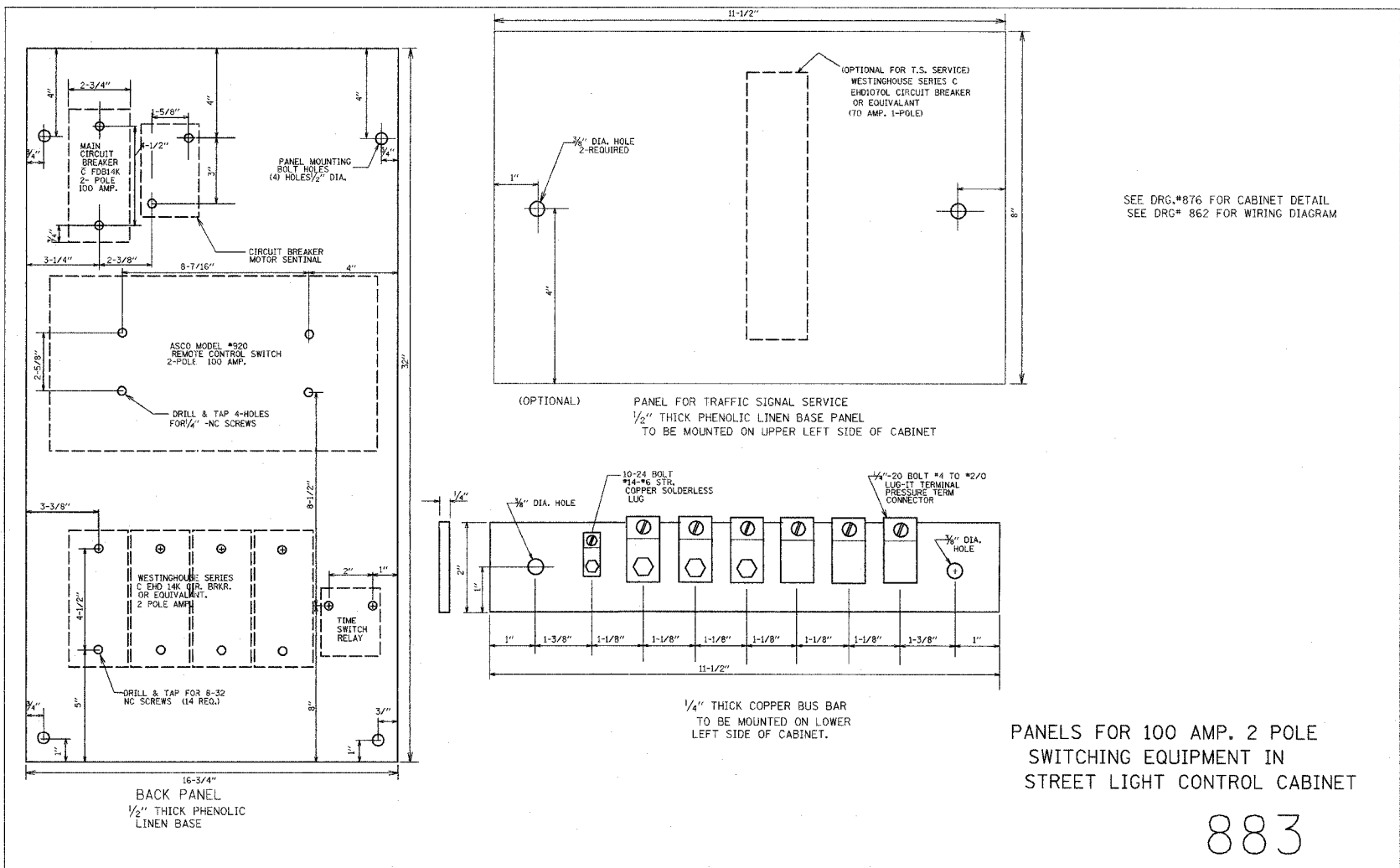
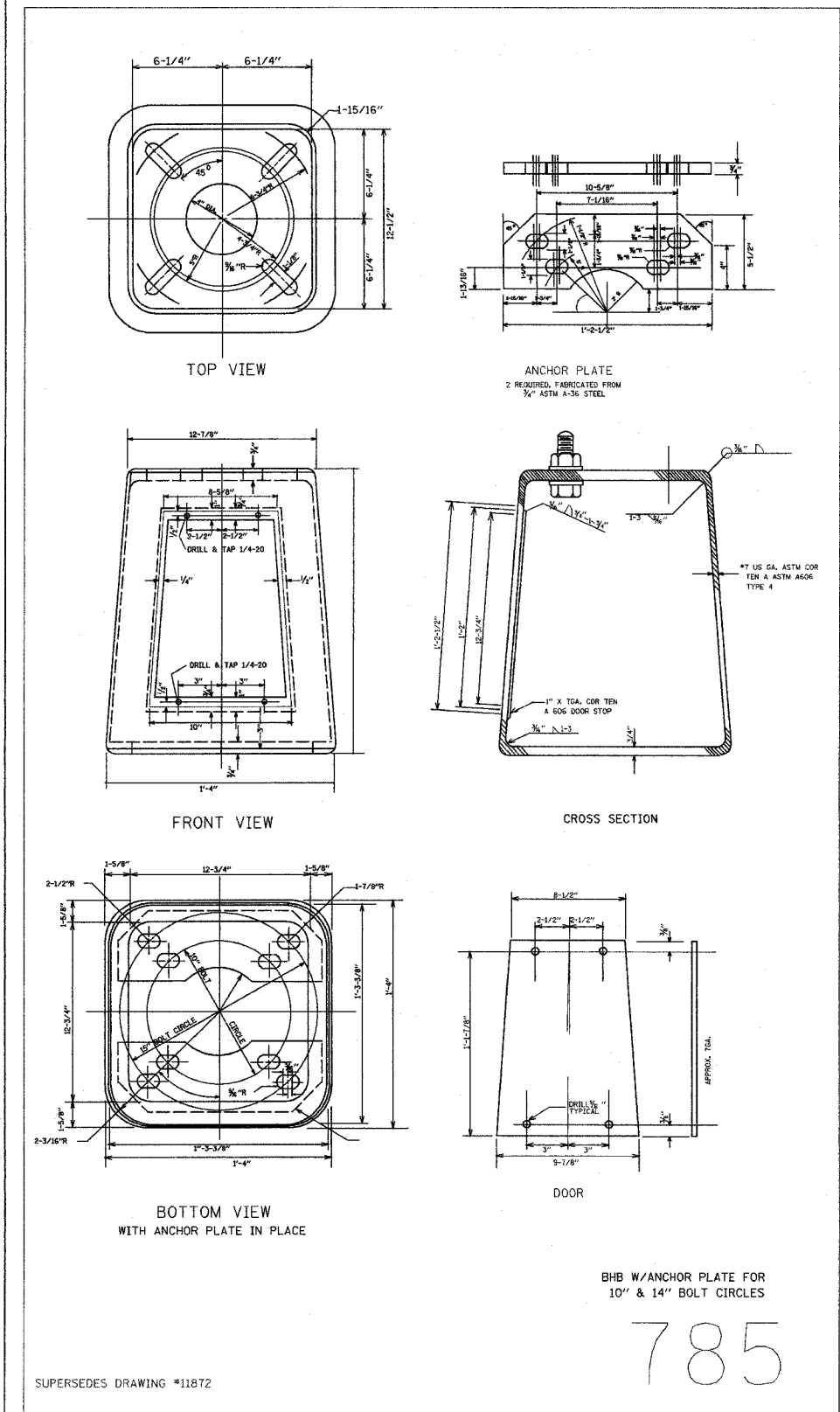


FAI RTE.	SECTION	COUNTY	TOTAL SHEETS	SHEET NO.
90	1314B	COOK	160	77
FED. ROAD DIST. NO.		ILLINOIS FED. AID PROJECT		



G:\PROJECTS\JOB268\LTG\NAGLE\EA14.DGN

REVISIONS		ILLINOIS DEPARTMENT OF TRANSPORTATION NAGLE AVE. OVER FAI-90 (KENNEDY EXPY) CITY OF CHICAGO MISCELLANEOUS ELECTRICAL DETAILS
NAME	DATE	
		SCALE: NONE DATE: DEC 2004
DRAWN BY: CBR		DRAWN BY: CBR CHECKED BY: SM