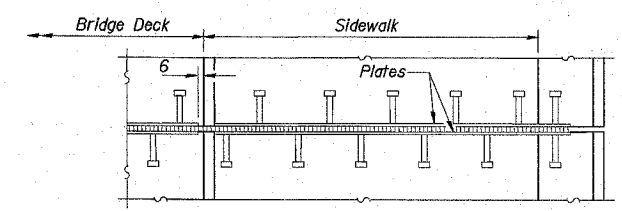


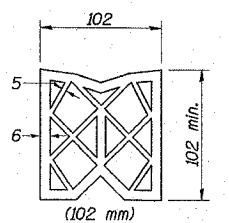
SECTION THRU EXPANSION JOINT
(102 mm joint seals)

Bridge Joint System (Expansion)	Required Preformed Joint Seal Size	Required Strip Seal rated movement
40 mm	102 mm	50 mm

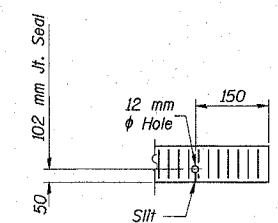


PLAN AT SIDEWALK

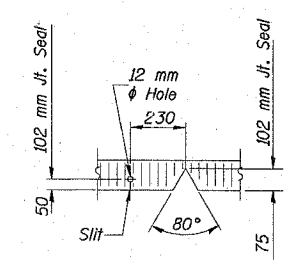
GENERAL NOTES
Furnish steel plates in segments of 6 m maximum length. Maximum space between installed segments shall be 5 mm. Seal space with silicone sealant suitable for structural steel.
All dimensions are in millimeters (mm) except as noted. The manufacturer's recommended installation methods shall be followed.



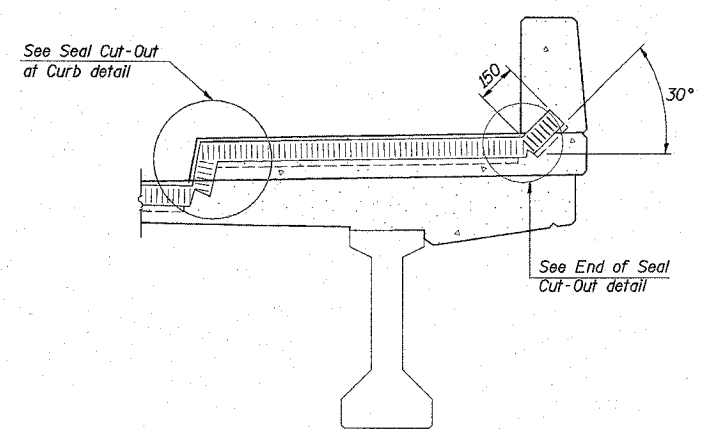
PREFORMED JOINT SEAL



END OF SEAL CUT-OUT



SEAL CUT-OUT AT CURB

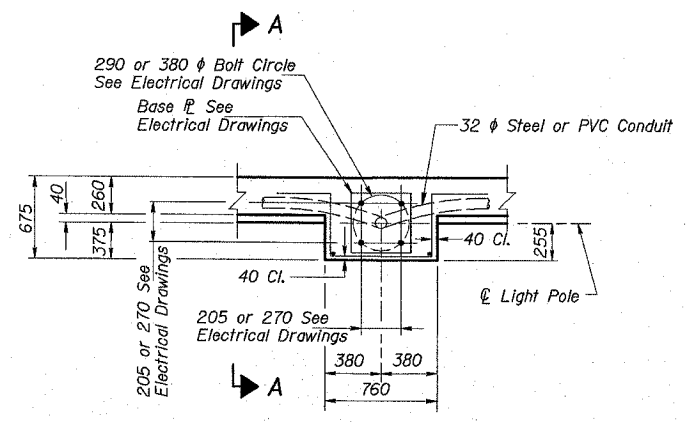


AT SIDEWALK
(Showing plate and seal)

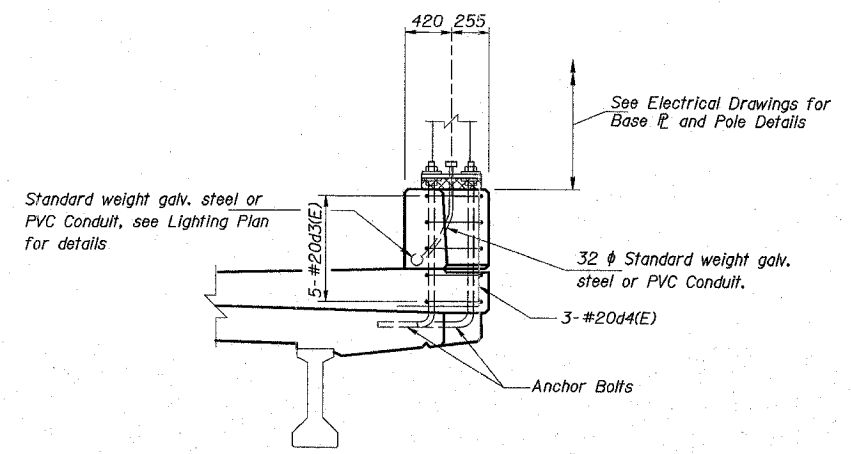
BILL OF MATERIAL

Item	Unit	Total
Preformed Joint Seal 102 mm	meter	50.2

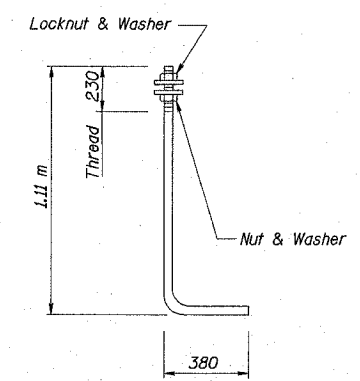
BRIDGE JOINT SYSTEM - EXPANSION
(PREFORMED JOINT SEAL)



LIGHT POLE PLAN



SECTION A-A



M30 φ ANCHOR BOLT
(ASTM F 1554 Grade 725)

Notes:
Reinforcement bars designated (E) shall be epoxy coated. All dimensions are in millimeters (mm) except as noted.

COLLINS ENGINEERS
123 N. WACKER DR., SUITE 300
CHICAGO, IL 60606
(312) 704-9300
ILLINOIS PROFESSIONAL DESIGN FIRM
LICENSE NO. 184-000993

REVISIONS	
NAME	DATE

ILLINOIS DEPARTMENT OF TRANSPORTATION
F.A.I. 90 (I-90)
AT NAGLE AVENUE
F.A.U. RTE. 2783 SEC 1314B
COOK COUNTY STATION 0+998.813
STRUCTURE NO. 016-0708
SUPERSTRUCTURE DETAILS-VI
DRAWN BY KAC
CHECKED BY LDB/DGS
DATE: DEC. 2004