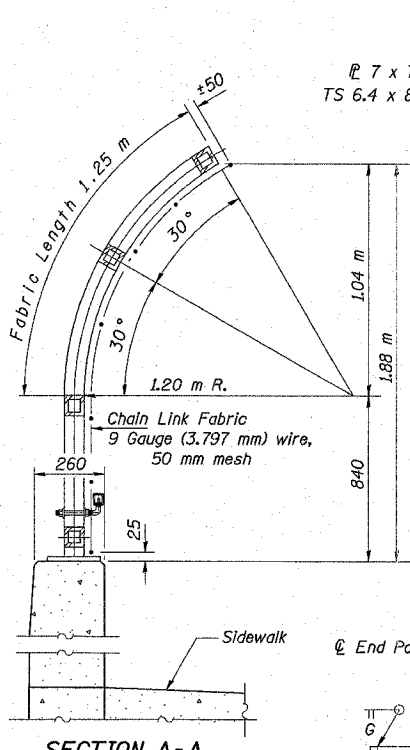
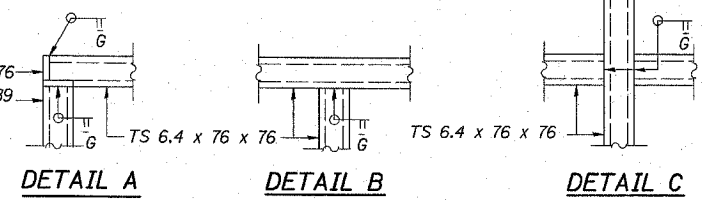


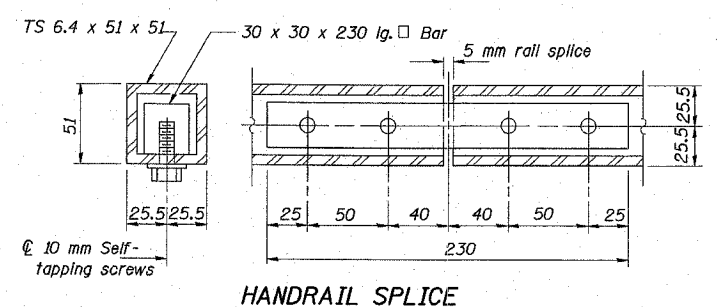
ELEVATION
(Inside Face)



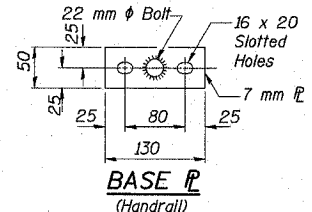
SECTION A-A



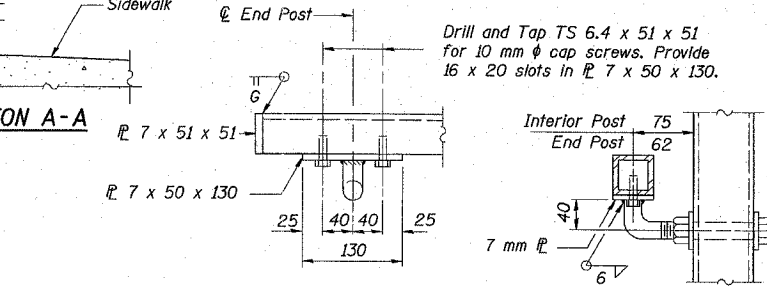
DETAIL A DETAIL B DETAIL C



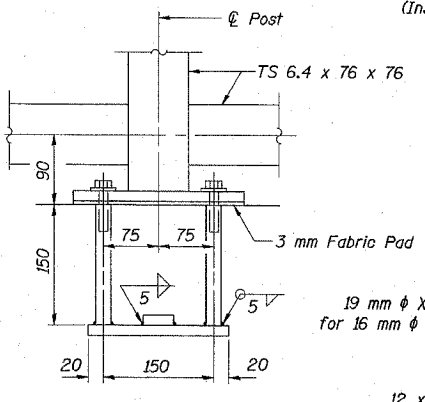
HANDRAIL SPLICE



BASE P
(Handrail)

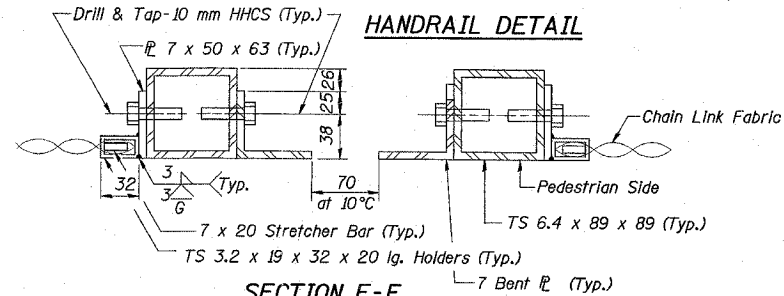
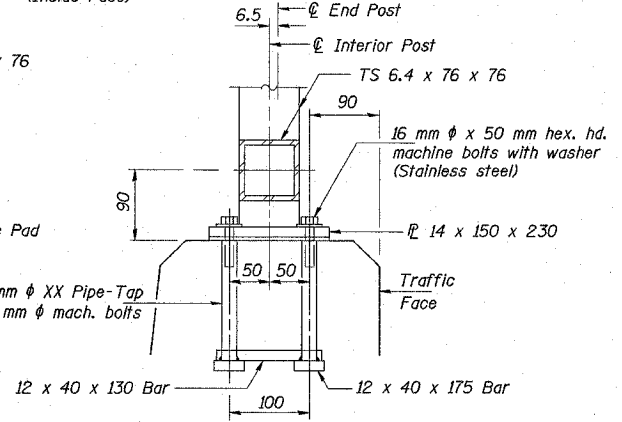


HANDRAIL DETAIL

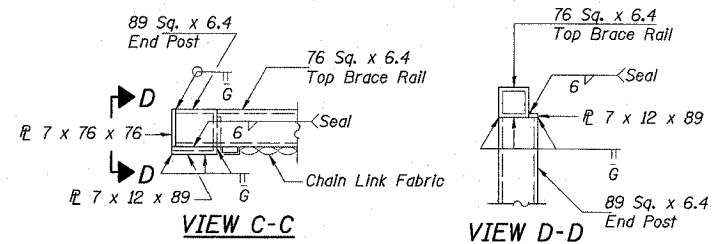


ANCHOR BOLT DETAILS

(In lieu of the cast-in-place anchor device shown, the Contractor has the option of drilling and epoxy grouting M16 anchor rods. Embedment shall be according to the manufacturer's specifications.)

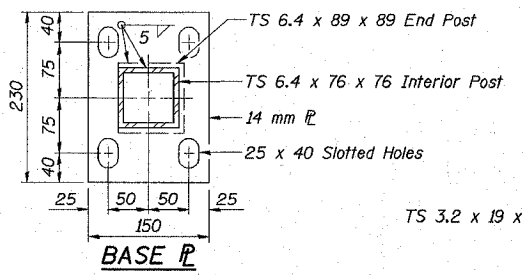


SECTION E-E
(At Expansion Joint)

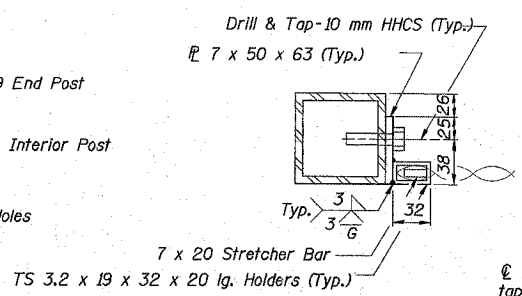


VIEW C-C

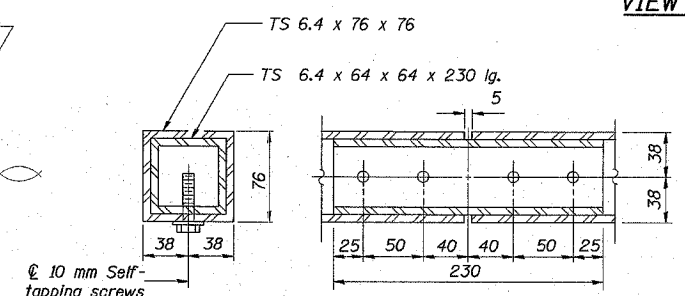
VIEW D-D



BASE P



SECTION B-B



RAIL SPLICE

BILL OF MATERIAL

Item	Unit	Quantity
Bridge Fence Railing, Parapet Mounted	m	146

COLLINS ENGINEERS
123 N. WACKER DR., SUITE 300
CHICAGO, IL 60606
(312) 704-9300
ILLINOIS PROFESSIONAL DESIGN FIRM
LICENSE NO. 184-000993

REVISIONS	
NAME	DATE

ILLINOIS DEPARTMENT OF TRANSPORTATION
F.A.I. 90 (I-90)
AT NAGLE AVENUE
F.A.U. RTE. 2783 SEC 1314B
COOK COUNTY STATION 04998.813
STRUCTURE NO. 016-0708
**BRIDGE FENCE RAILING
PARAPET MOUNTED**
DRAWN BY KAC
CHECKED BY LDB/DGS
DATE: DEC. 2004