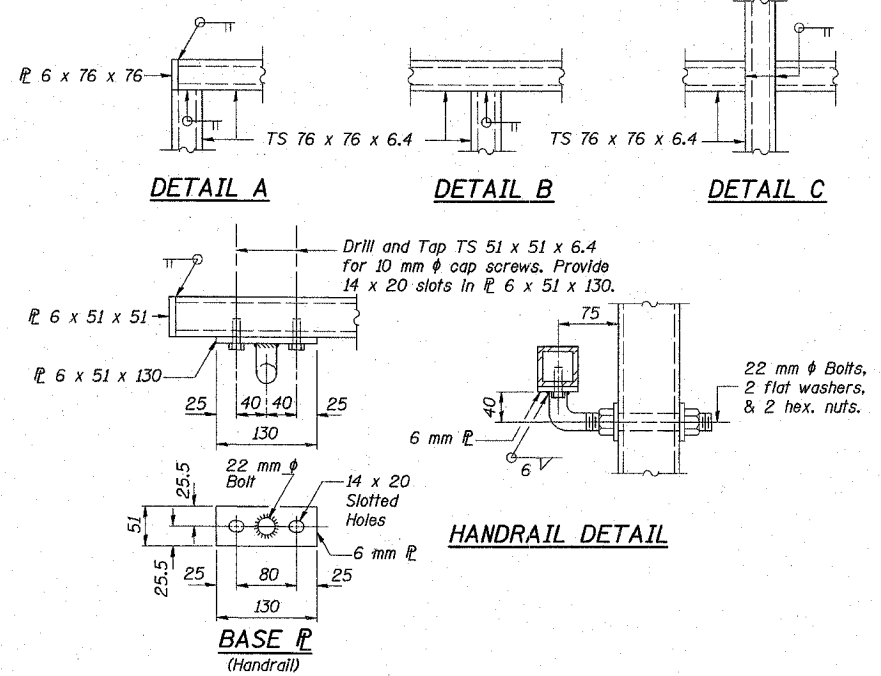
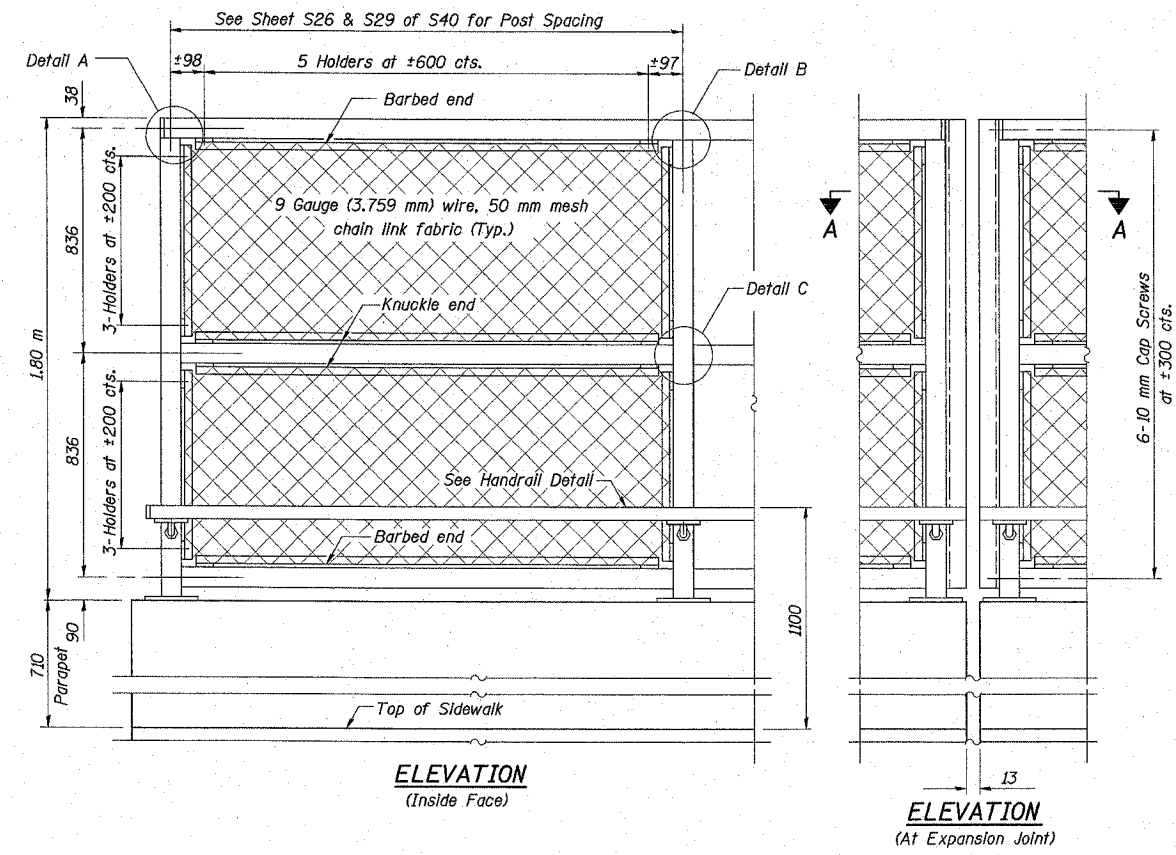


ROUTE NO.	SECTION	COUNTY	TOTAL SHEETS	SHEET NO.	SHEET NO. 519
FAU 2783	1314B	COOK	160	97	S40 SHEETS
FED. ROAD DIST. NO. 7	ILLINOIS	FED. AID PROJECT			
CONTRACT 60293					



**NOTES**

Railing shall be according to Section 509 of the Standard Specifications, except as noted, and will be paid for at the Contract Unit Price per meter for Pedestrian Railing.

The 9 gauge (3.759 mm) fabric ties shall be according to Article 1006.27(d) of the Standard Specifications.

Installation of the chain link fabric shall be according to Section 664 of the Standard Specifications.

Hollow structural steel tubing shall conform to the requirements of ASTM designation A 500, Grade B, structural steel tubing.

All other steel shapes and plates shall conform to the requirements of AASHTO M 270M Grade 250.

The chain link fabric shall be placed along Pedestrian Side as shown on Section A-A.

Stretcher bars shall be used at all four sides of each panel.

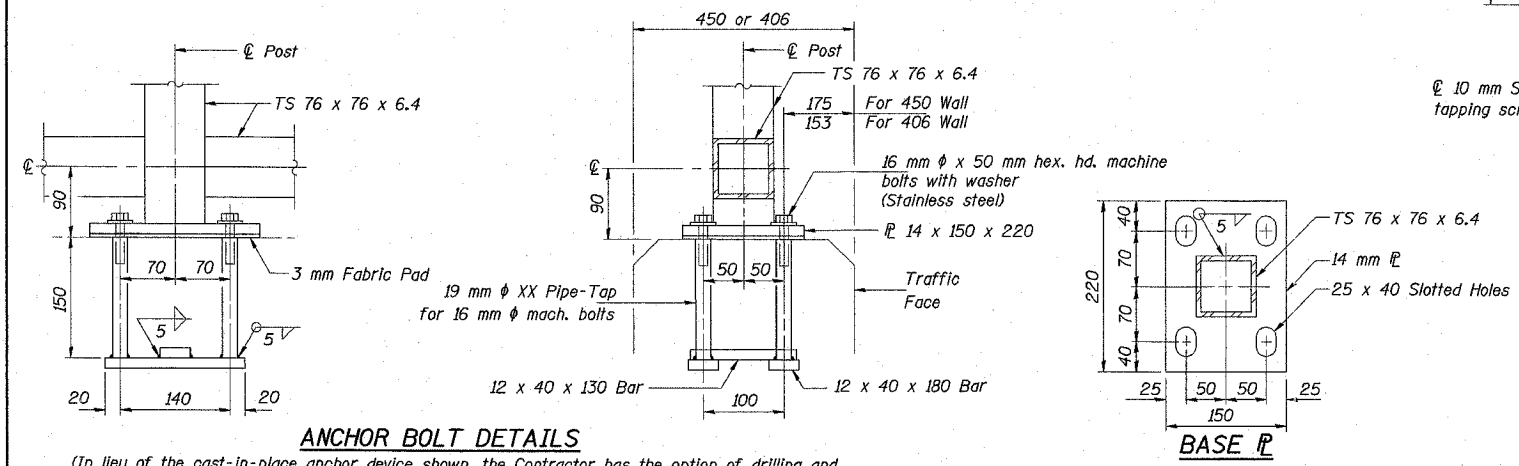
If the option of drilling and epoxy grouting the anchor rods is chosen, the Contractor shall use the capsule or the adhesive cartridge type anchor rods that have been previously tested and given a prior approval by the Department. The Contractor shall install these anchor rods in pre-drilled holes according to the manufacturer's recommendations and procedures. The capsule or the adhesive cartridge shall be sealed with premeasured amounts of the adhesive chemical.

Space reinforcement to miss anchor rods.

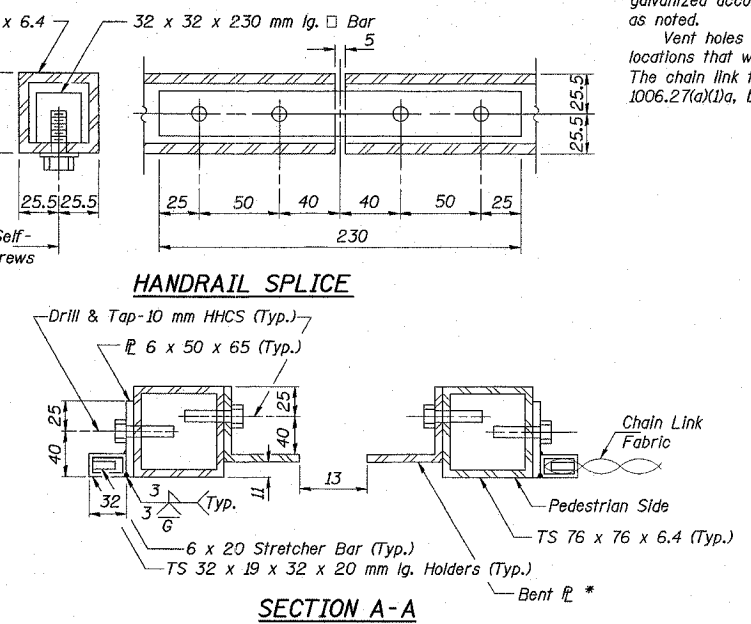
All dimensions are in millimeters (mm) except as noted.

All posts, railing, splices, anchor devices, and bent plates shall be galvanized after shop fabrication according to AASHTO M 111 and ASTM A 385. All bolts, nuts, washers and anchor rods shall galvanized according to AASHTO M 232 except stainless steel bolts as noted.

Vent holes for galvanizing shall be placed in the posts and rails at locations that will not allow the accumulation of moisture in the members. The chain link fabric shall conform to the requirements of Article 1006.27(a)(1)a, b or c of the Standard Specifications.



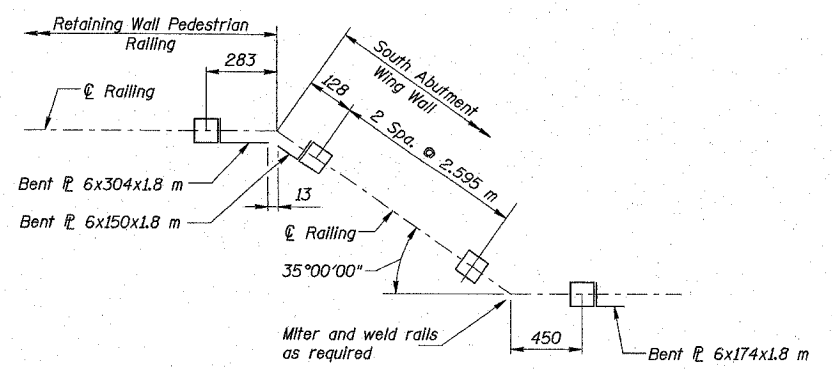
**ANCHOR BOLT DETAILS**  
(In lieu of the cast-in-place anchor device shown, the Contractor has the option of drilling and epoxy grouting M16 anchor rods. Embedment shall be according to the manufacturer's specifications.)



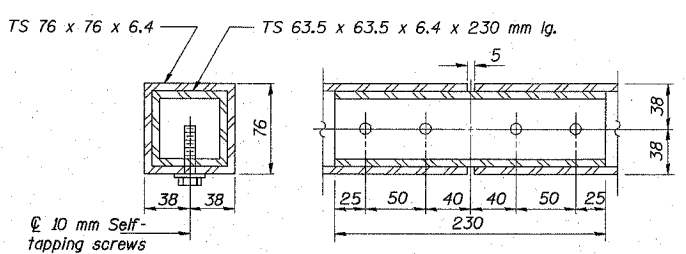
\* See Pedestrian Railing Plan for post orientation and bent plate sizes.

**BILL OF MATERIAL**

Item	Unit	Quantity
Pedestrian Railing	m	19



**PEDESTRIAN RAILING PLAN**



**RAIL SPLICE**

**COLLINS ENGINEERS**  
123 N. WACKER DR., SUITE 300  
CHICAGO, IL 60606  
(312) 704-9300  
ILLINOIS PROFESSIONAL DESIGN FIRM  
LICENSE NO. 184-000993

REVISIONS	
NAME	DATE

ILLINOIS DEPARTMENT OF TRANSPORTATION  
F.A.I. 90 (I-90)  
AT NAGLE AVENUE  
F.A.U. RTE. 2783 SEC 1314B  
COOK COUNTY STATION 0+998.813  
STRUCTURE NO. 016-0708

**PEDESTRIAN RAILING**

DRAWN BY KAC  
CHECKED BY LDB/DGS  
DATE: DEC. 2004