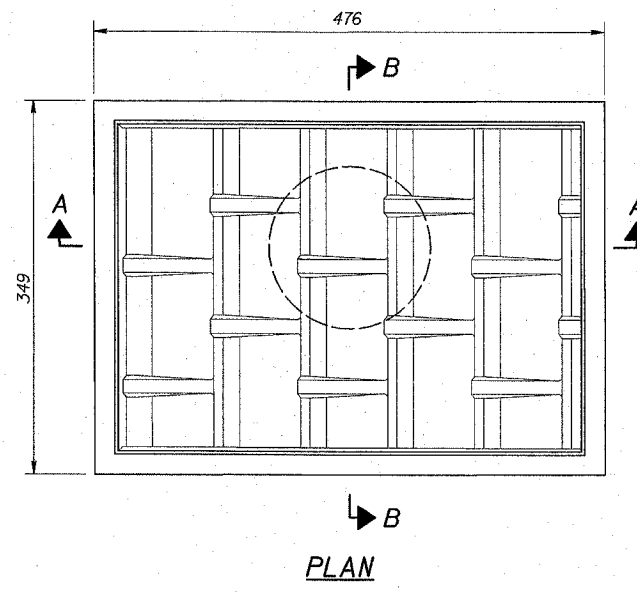
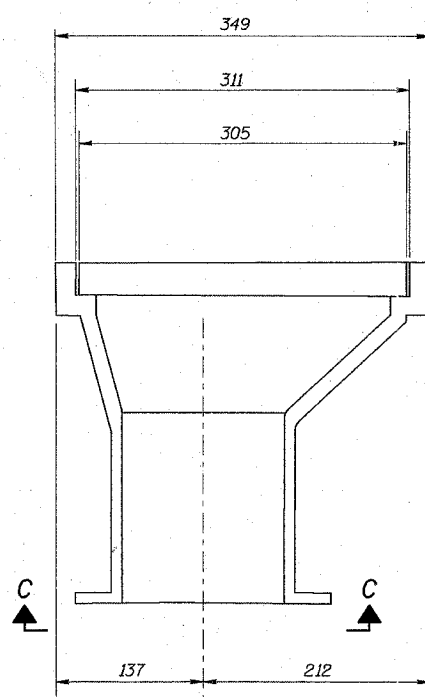


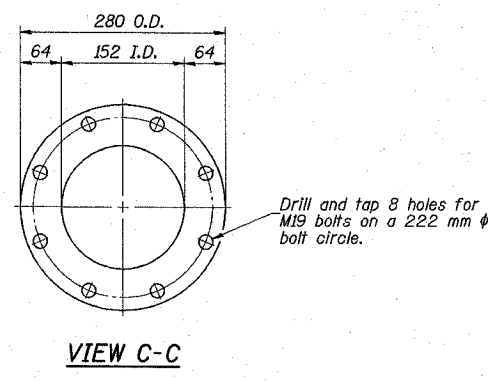
ROUTE NO.	SECTION	COUNTY	TOTAL SHEETS	SHEET NO.	SHEET NO. S36
FAU 2783	1314B	COOK	160	114	S40 SHEETS
FED. ROAD DIST. NO. 7	ILLINOIS	FED. AID PROJECT			
CONTRACT 60293					



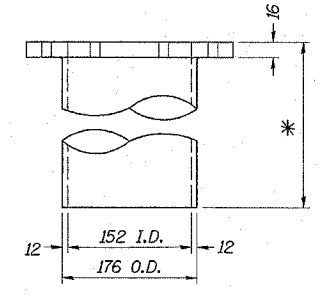
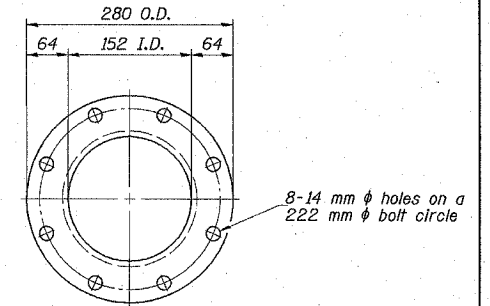
PLAN



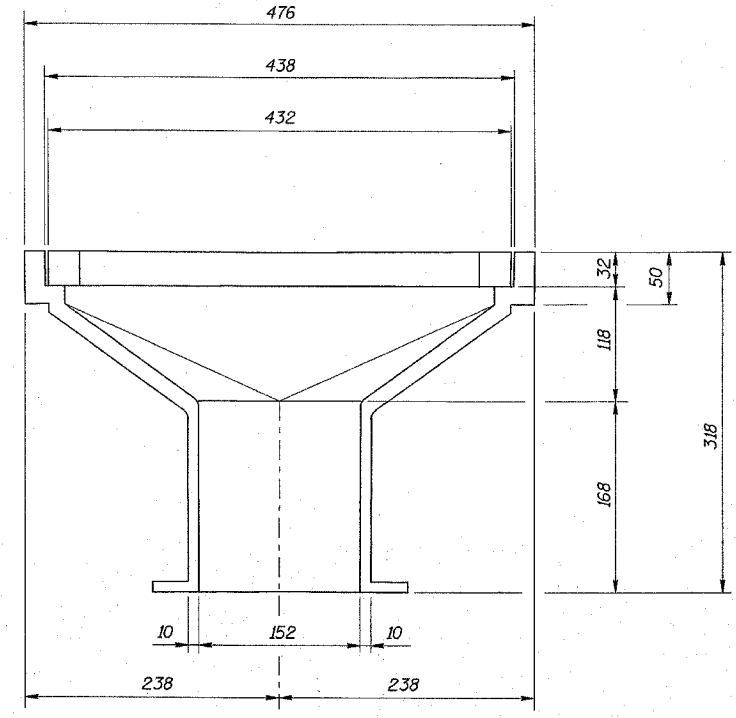
SECTION B-B



VIEW C-C



DOWNSPOUT



SECTION A-A

\* Determine in field as required to properly connect to the sections in pipe runs. All cost included under Drainage Scuppers, Special pay item

Notes: All cast iron parts shall be gray iron conforming to the requirements of AASHTO M 105, Class 35B.  
 Bolts, anchor studs, washers and nuts shall conform to the requirements of ASTM A 307 and shall be galvanized according to AASHTO M 232M.  
 The grate, frame and downspout shall be galvanized according to AASHTO M 111 and ASTM A 385. Downspouts located on the exterior side of a painted steel fascia beam shall be painted with the finish coat specified for the exterior side of the fascia beam.  
 As an alternate, bolts, anchor studs, washers and nuts may be stainless steel according to Article 1006.29(d) of the Standard Specifications.  
 Structural steel weldments of equal sections and of the same configuration may be substituted for cast iron. Fillet or full penetration welds shall be used for the weldments. Details shall be submitted to the Engineer for approval.  
 The Contractor shall take appropriate measures to assure that Protective Coat is not applied to the scupper.  
 Cost of the Grate, Frame, Downspout, Anchor Studs, Bolts, Washers and Nuts including complete installation of the scupper shall be paid for at the contract unit price each for Drainage Scupper, Special.  
 All dimensions are in millimeters (mm) except as noted.

ITEM	UNIT	QUANTITY
Drainage Scuppers, Special	Each	20

**COLLINS ENGINEERS**  
 123 N. WACKER DR., SUITE 300  
 CHICAGO, IL 60605  
 (312) 704-9300  
 ILLINOIS PROFESSIONAL DESIGN FIRM  
 LICENSE NO. 184-000993

REVISIONS	
NAME	DATE

ILLINOIS DEPARTMENT OF TRANSPORTATION  
 F.A.I. 90 (I-90)  
 AT NAGLE AVENUE  
 F.A.U. RTE. 2783 SEC 1314B  
 COOK COUNTY STATION 0+998.813  
 STRUCTURE NO. 016-0708  
**DRAINAGE SCUPPER SPECIAL**  
 DRAWN BY KAC  
 CHECKED BY AJB/DCS  
 DATE: DEC. 2004