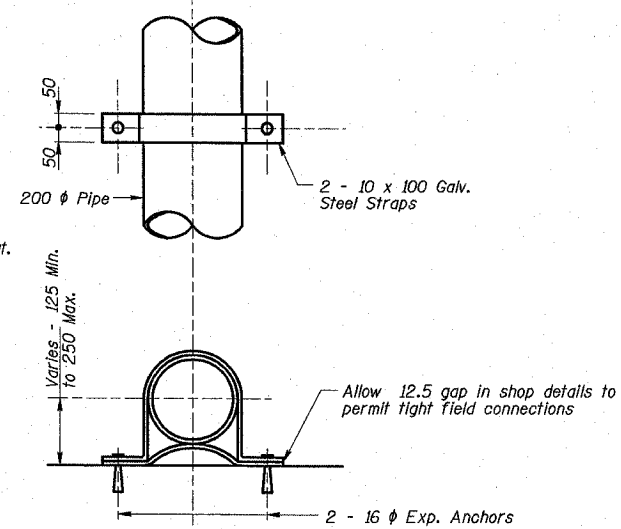
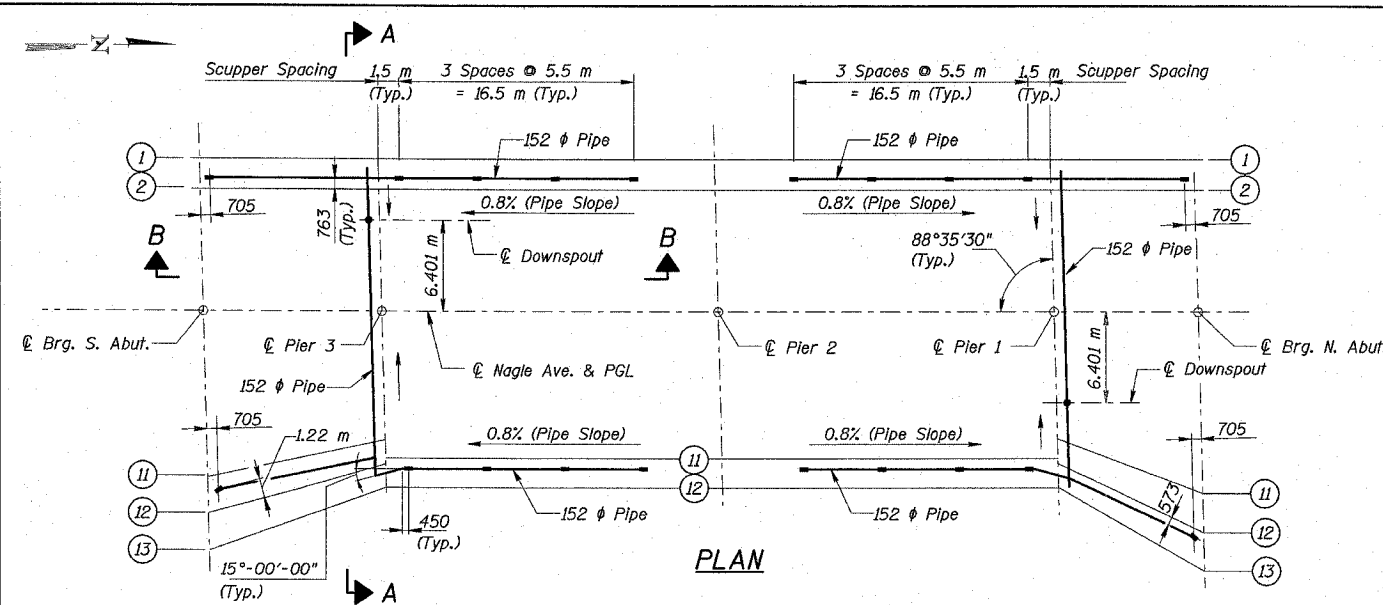
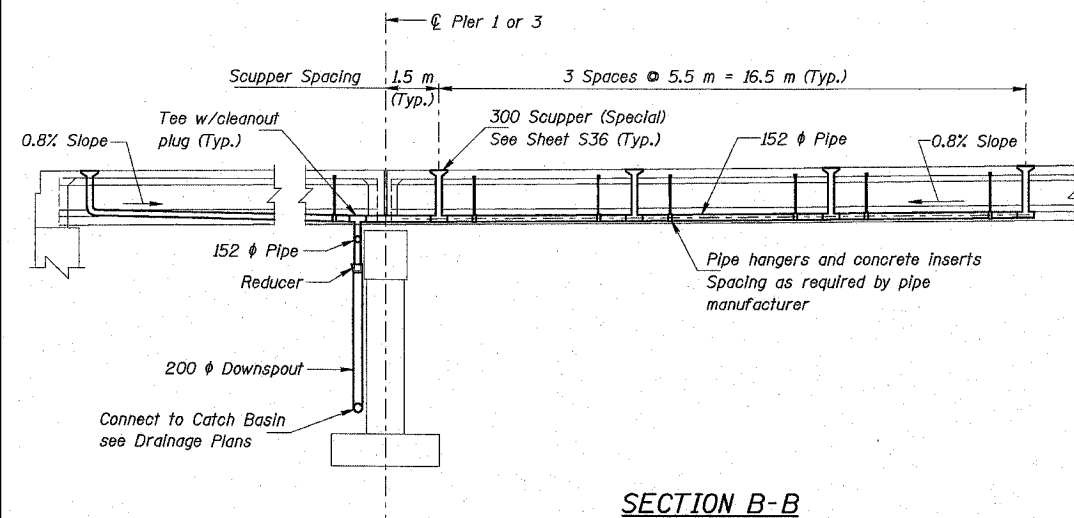
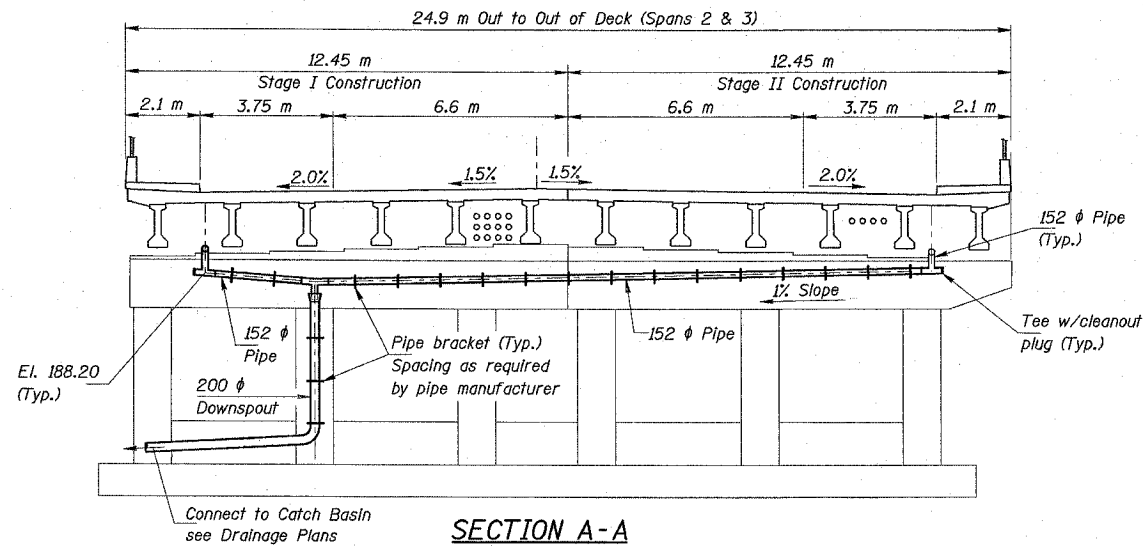


ROUTE NO.	SECTION	COUNTY	TOTAL SHEETS	SHEET NO.	SHEET NO. S37
FAU 2783	1314B	COOK	160	115	S40 SHEETS
FED. ROAD DIST. NO. 7	ILLINOIS	PER. AND PROJECT			
CONTRACT 60293					



Notes:

- All drain pipes and fittings shall be reinforced fiberglass conforming to the requirements of ASTM D 2996, with short time rupture strength hoop tensile stress of 200 MPa minimum.
- All pipe hangers, supports and hardware shall be galvanized by the Hot-Dip process. The zinc coating shall conform to requirements of AASHTO M232.
- Pipe brackets shall be provided on all horizontal pipes at each tee, elbow or change in direction and at spacings required by the pipe manufacturer.
- There shall be a minimum of three brackets per column.
- The surface of the fiberglass pipe shall be free of bond inhibiting agents.
- Drains shall be located clear of all diaphragms.
- Scupper spacing is measured parallel to center line of structure.



ITEM	UNIT	QUANTITY
Drainage System	L. Sum	1

COLLINS ENGINEERS
123 N. WACKER DR., SUITE 300
CHICAGO, IL 60606
(312) 704-9300
ILLINOIS PROFESSIONAL DESIGN FIRM
LICENSE NO. 184-000993

REVISIONS	
NAME	DATE

ILLINOIS DEPARTMENT OF TRANSPORTATION
F.A.I. 90 (I-90)
AT NAGLE AVENUE
F.A.U. RTE. 2783 SEC 1314B
COOK COUNTY STATION 0+998.813
STRUCTURE NO. 016-0708

DRAINAGE DETAILS

DRAWN BY KAC
CHECKED BY AJB/DGS
DATE: DEC. 2004