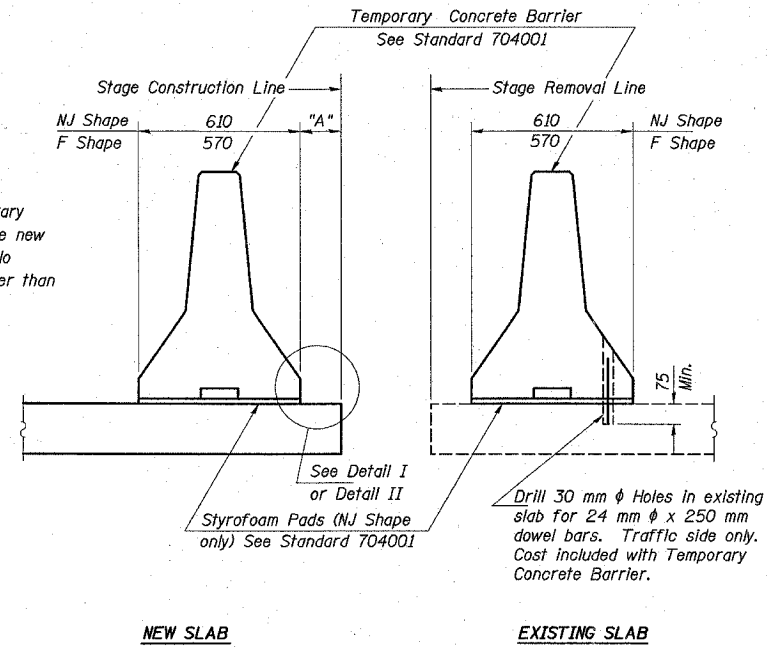


ROUTE NO.	SECTION	COUNTY	TOTAL SHEETS	SHEET NO.	SHEET NO. S40
FAU 2783	1314B	COOK	160	118	S40 SHEETS
FED. ROAD DIST. NO. 7		ILLINOIS	FED. AID PROJECT-		
CONTRACT 60293					

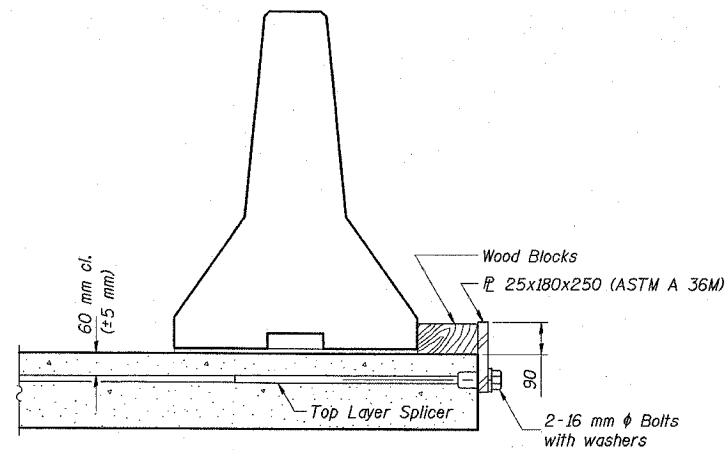
When "A" is 1.067 m or less, the temporary concrete barrier shall be anchored to the new slab according to Detail I or Detail II. No anchorage is required when "A" is greater than 1.067 m.



SECTION THRU SLAB

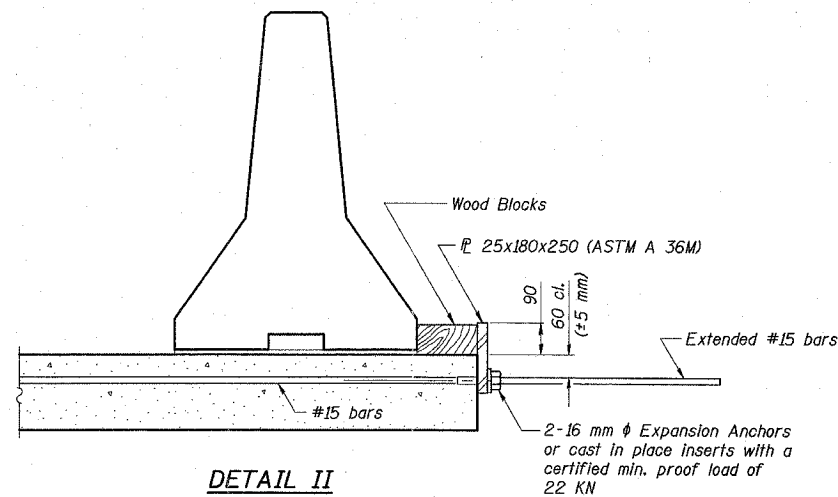
NOTES

- Detail I - With Bar Splicer or Couplers:**
Connect one (1) 25x180x250 steel \bar{P} to the top layer of couplers with 2-16 mm ϕ bolts screwed to coupler at approximate \bar{C} of each 3 m barrier panel.
- Detail II - With Extended Reinforcement Bars:**
Connect one (1) 25x180x250 steel \bar{P} to the concrete slab with 2-16 mm ϕ Expansion Anchors or cast in place inserts spaced between the top layer of reinforcement at approximate \bar{C} of each barrier panel.
- Cost of anchorage included with Temporary Concrete Barrier.
All dimensions are in millimeters (mm) except as noted.



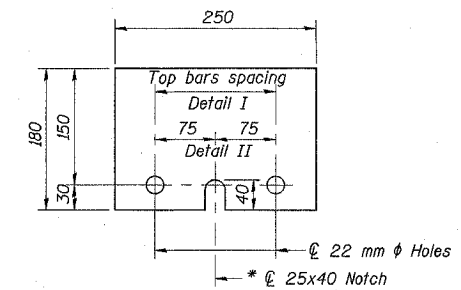
DETAIL I

The 25x180x250 Plate shall not be removed until Stage II Construction forms and reinforcement bars are in place.



DETAIL II

The 25x180x250 Plate shall not be removed until Stage II Construction forms and all reinforcement bars are in place and the concrete is ready to be placed.



\bar{P} 25x180x250

* Required only with Detail II

COLLINS ENGINEERS
123 N. WACKER DR., SUITE 300
CHICAGO, IL 60608
(312) 704-9300
ILLINOIS PROFESSIONAL DESIGN FIRM
LICENSE NO. 184-009993

REVISIONS	
NAME	DATE

ILLINOIS DEPARTMENT OF TRANSPORTATION
F.A.I. 90 (I-90)
AT NAGLE AVENUE
F.A.U. RTE. 2783 SEC 1314B
COOK COUNTY STATION 0+998.813
STRUCTURE NO. 016-0708

TEMPORARY CONCRETE BARRIER

DRAWN BY KAC
CHECKED BY LDB/DGS
DATE: DEC. 2004