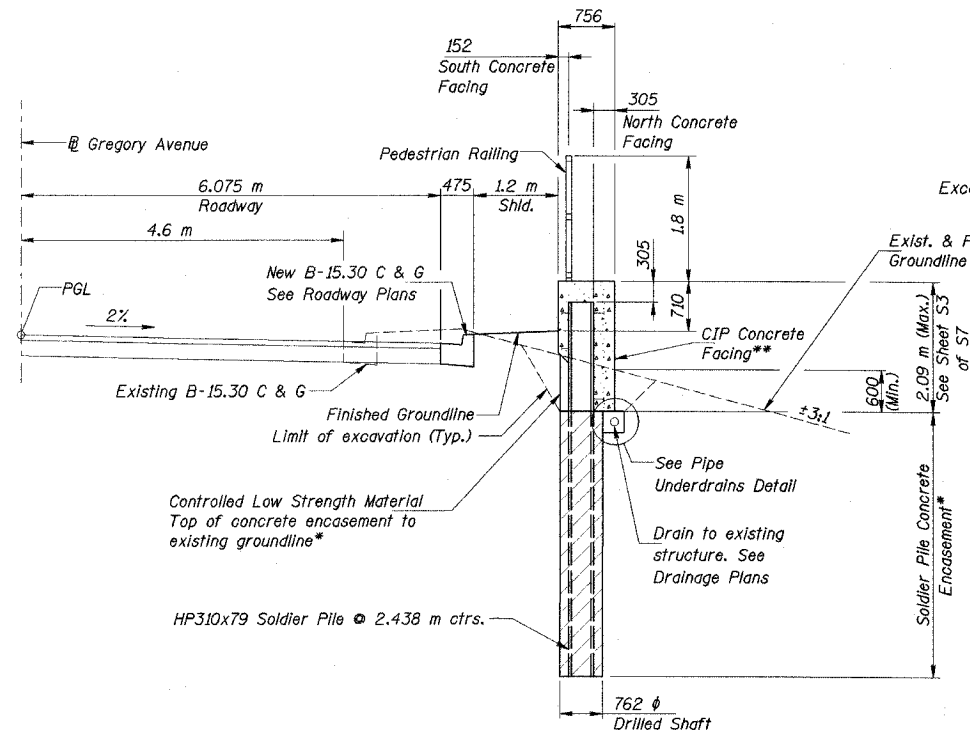
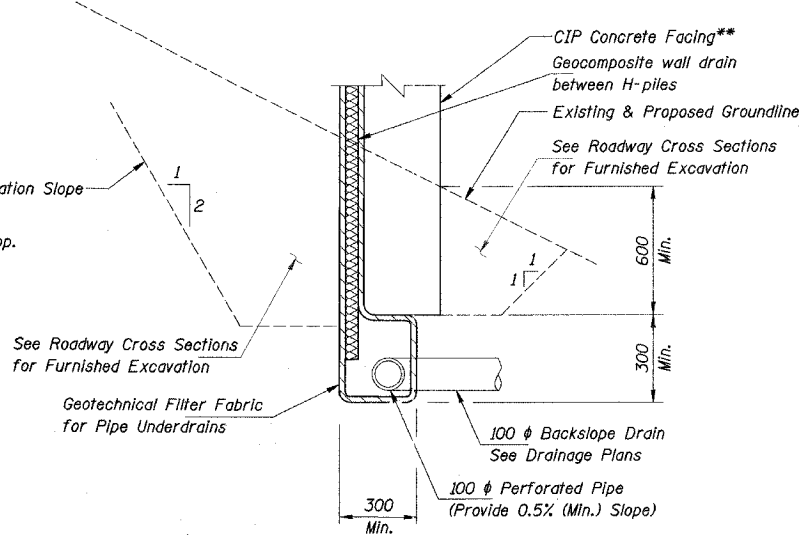


ROUTE NO.	SECTION	COUNTY	TOTAL SHEETS	SHEET NO.	SHEET NO. 52 57 SHEETS
FAU 2783	1314B	COOK	160	120	
FED. ROAD DIST. NO. 7		ILLINOIS	FED. AID PROJECT-		
CONTRACT 60293					



SECTION A-A

* All cost Included under Drilling and Setting Soldier Piles pay item.
 ** All cost included under Concrete Structures pay item.



PIPE UNDERDRAINS DETAIL
(French Drain Section between Piles)

GENERAL NOTES

Reinforcement bars shall conform to the requirements of AASHTO M 31M, or M 322M Grade 400.
 Plan dimensions and details relative to existing structure have been taken from existing plans and are subject to nominal construction variations. It shall be the Contractor's responsibility to verify such dimensions and details in the field and make necessary approved adjustments prior to construction or ordering of materials. Such variations shall not be cause for additional compensation for a change in the scope of the work, however, the Contractor will be paid for the quantity actually furnished at the unit price bid for the work.
 Field welding will be permitted only when approved by the Engineer.
 All exposed concrete edges shall be chamfered 20 mm except as noted.
 All dimensions are in millimeters (mm) except as noted.
 All soldier piles shall be AASHTO M270 M Gr. 345.
 All construction joints shall be bonded.

TOTAL BILL OF MATERIAL

ITEM	UNIT	TOTAL
Structure Excavation	m ³	63
Concrete Structures	m ³	47.7
Stud Shear Connectors	Each	288
Reinforcement Bars, Epoxy Coated	kg	3,300
Furnishing Soldier Piles HP310x79	m	107.5
Drilling and Setting Soldier Piles	m ³	35.5
Pipe Underdrains 100 mm	m	44.5
Geocomposite Wall Drain	m ²	31
Pedestrian Railing	m	44
Geotechnical Fabric for French Drains	m ²	102

REVISIONS	
NAME	DATE

COLLINS ENGINEERS
 123 N. WALKER DR., SUITE 300
 CHICAGO, IL 60606
 (312) 704-9300
 ILLINOIS PROFESSIONAL DESIGN FIRM
 LICENSE NO. 184-000993

ILLINOIS DEPARTMENT OF TRANSPORTATION
 F.A.I. 90 (I-90)
 AT NAGLE AVENUE
 F.A.U. RTE. 2783 SEC 1314B
 COOK COUNTY STATION 4+545.264
 STRUCTURE NO. 016-W779
GENERAL NOTES, BILL OF MATERIAL AND SECTIONS
 DRAWN BY KAC
 CHECKED BY ERB/DGS
 DATE: DEC. 2004