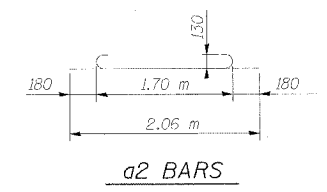
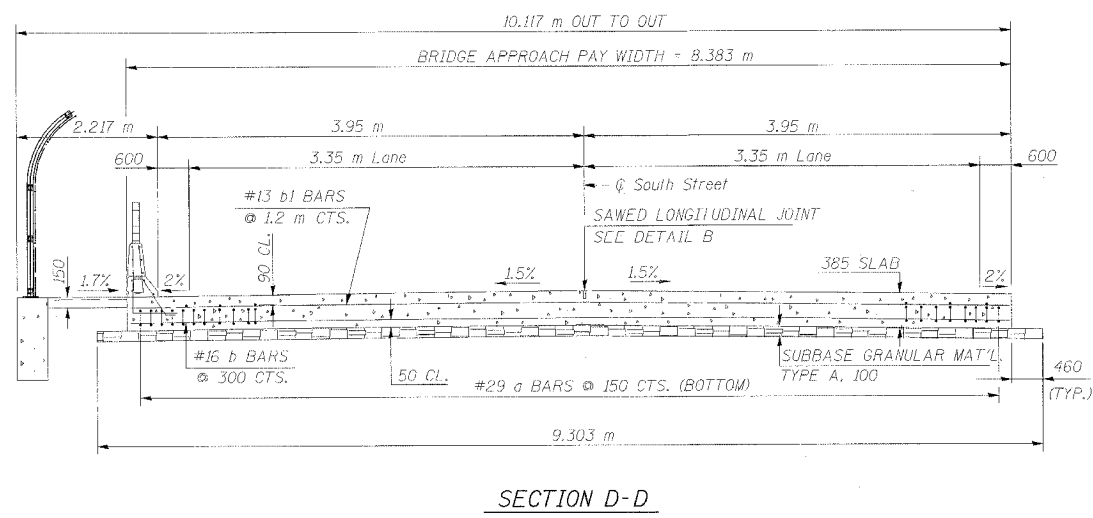
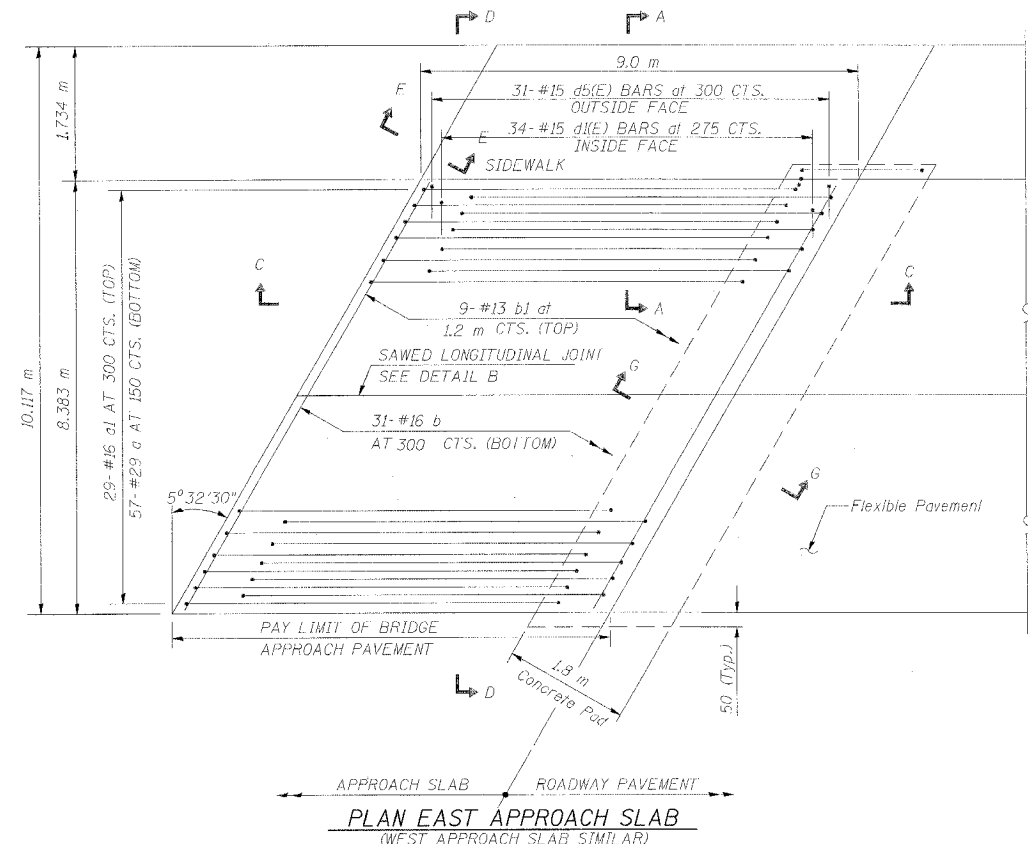
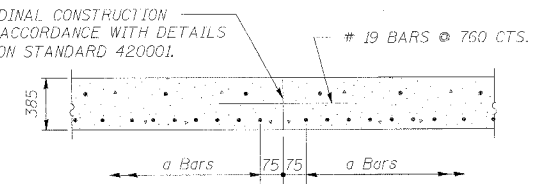
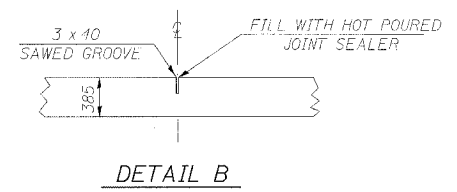
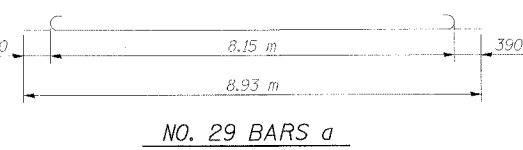
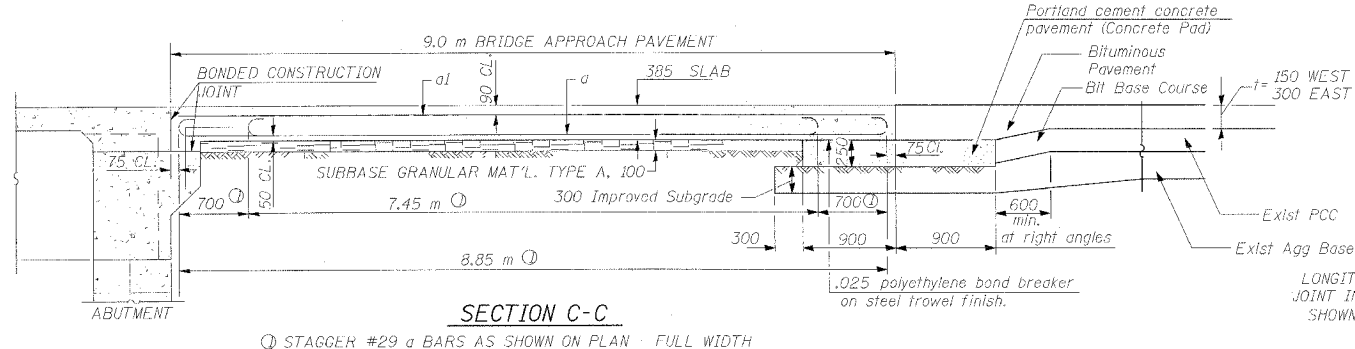


FAP RTE.	SECTION	COUNTY	TOTAL SHEETS	SHEET NO.
305	28R-2-RS-1	McHENRY	53	10
STA.	TO STA.			
FED. ROAD DIST. NO.	ILLINOIS FED. AID PROJECT			
CONTRACT NUMBER: 60756				



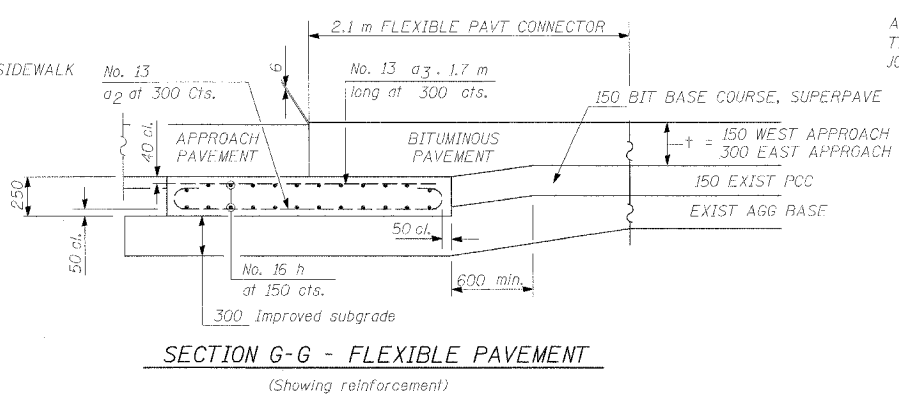
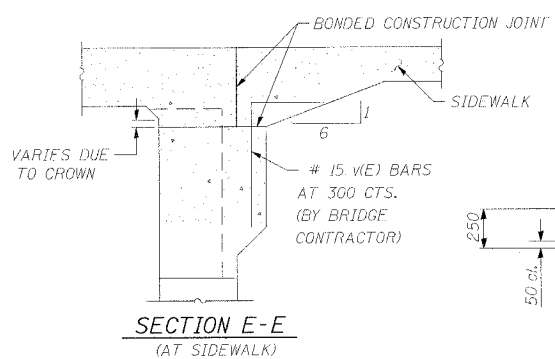
- NOTES:**
- THICKNESS-"I"=THICKNESS OF PAVEMENT. (SEE ROADWAY PLANS)
 - SEE IDOT STANDARD 420401 FOR REINFORCEMENT DETAILS NOT SHOWN.
 - SEE IDOT STANDARD 420401 FOR DETAILS OF JOINTS NOT SHOWN.
 - IDOT TRAFFIC BARRIER TERMINAL TYPE 6 SHALL BE ADJUSTED IN FIELD TO FIT PCC PARAPET. SEE IDOT STD. 63J031
 - SEE IDOT STD. 420401 FOR ADDITIONAL DETAILS ON APPROACH PAVEMENT.
 - QUANTITY FOR BARS d1(E) & d5(E) INCLUDED IN PARAPET REINFORCEMENT ON SHT. 11.
 - ALL DIMENSIONS ARE IN MILLIMETERS (mm) EXCEPT AS NOTED.
 - SEE SHEET 11 FOR SECTION A-A.



AS APPROVED BY THE ENGINEER, THE CONTRACTOR MAY ELECT TO REDUCE THE WIDTHS OF POUR BY USE OF THE OPTIONAL LONGITUDINAL CONSTRUCTION JOINT SHOWN. JOINTS SHALL BE LOCATED AT THE EDGE OF TRAFFIC LANE.

BILL OF MATERIAL FOR 2 APP. SLAB

ITEM	UNIT	QUANTITY
BRIDGE APPROACH (SPECIAL)	m ²	150.9



REVISIONS	
NAME	DATE

ILLINOIS DEPARTMENT OF TRANSPORTATION
BRIDGE APPROACH PAVEMENT (SPECIAL)
DETAILS
 SCALE NTS
 DATE DECEMBER 2004
 DRAWN BY R.VEJAR
 CHECKED BY KSM

HOH
 HARRY G. HETTER - ASSOCIATES, INC.
 DESIGN AND CONSULTING ENGINEERS
 55 East Jackson Blvd.
 Chicago, Illinois 60604
 312-949-9131
 PROJECT NUMBER 1962
 FILE NAME 1962SX2.DGN