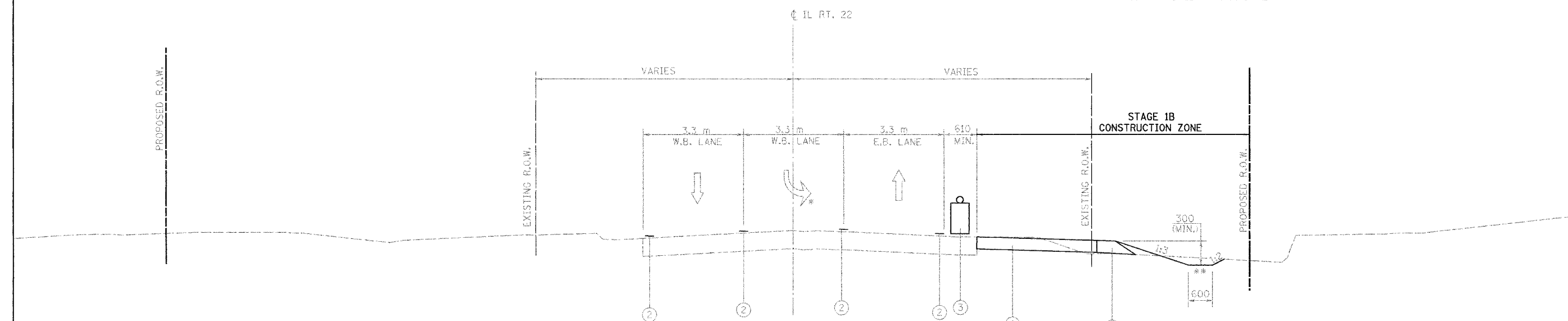


\* SEE MOT PLANS FOR LOCATIONS OF SEPARATE LEFT TURN LANES

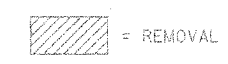


\* SEE MOT PLANS FOR LOCATIONS OF SEPARATE LEFT TURN LANES

\*\* SEE ROUTE 22 PROPOSED CROSS SECTIONS FOR LOCATIONS OF TEMPORARY DITCHES. GRADE TO DRAIN.

**LEGEND, TRAFFIC MAINTENANCE**

- |  |  |  |
|--|--|--|
| ① (OPTION 1) PORTLAND CEMENT CONCRETE BASE COURSE 180MM<br>(OPTION 2) BITUMINOUS BASE COURSE SUPERPAVE, 255MM AND BITUMINOUS CONCRETE SURFACE COURSE, SUPERPAVE, MIX "D", N50 (45MM) | ⑧ TOPSOIL, 100 mm                                      | ⑰ BITUMINOUS SHOULDERS SUPERPAVE, 200 mm                                 |
| ② TEMPORARY PAVEMENT MARKING, TAPE   | ⑨ SODDING, SALT TOLERANT                               | ⑱ TEMPORARY AGGREGATE SHOULDER   |
| ③ TEMPORARY LIGHTED BARRICADE, DRUM, OR VERTICAL PANEL   | ⑩ CONCRETE MEDIAN SURFACE, 100 mm                      | ⑲ GUARDRAIL TO BE REMOVED  |
| ④ EXISTING PAVEMENT TO BE REMOVED  | ⑪ STABILIZED SUBBASE, 100 mm                           | ⑳ PORTLAND CEMENT CONCRETE SIDEWALK, 125 mm                              |
| ⑤ PORTLAND CEMENT CONCRETE PAVEMENT 250 mm (JOINTED)   | ⑫ PORTLAND CEMENT CONCRETE BASE COURSE WIDENING 225 mm | ㉑ TRAFFIC CONTROL BARRIER - SEE MOT PLANS FOR LOCATIONS                  |
| ⑥ AGGREGATE SUBGRADE, 300 mm   |  | ㉒ 100 mm DOUBLE YELLOW TEMPORARY PAVEMENT MARKING TAPE @ 280 mm CC (TYP) |
| ⑦ COMBINATION CONCRETE CURB AND GUTTER, TYPE B-15.60   | ⑬ EXISTING CONCRETE CURB AND GUTTER TO BE REMOVED      | ㉓ EXISTING PAVEMENT MARKINGS   |
|  | ⑭ TEMPORARY PAVEMENT TO BE REMOVED                     | ㉔ VERTICAL PANEL POST MOUNTED  |



REVISIONS	
NAME	DATE

ILLINOIS DEPARTMENT OF TRANSPORTATION  
ILLINOIS ROUTE 22  
FROM US RTE 12 TO BUESCHING RD  
MAINTENANCE OF TRAFFIC  
TYPICAL SECTIONS

DATE 7/21/04

DRAWN BY NIL  
CHECKED BY SMK