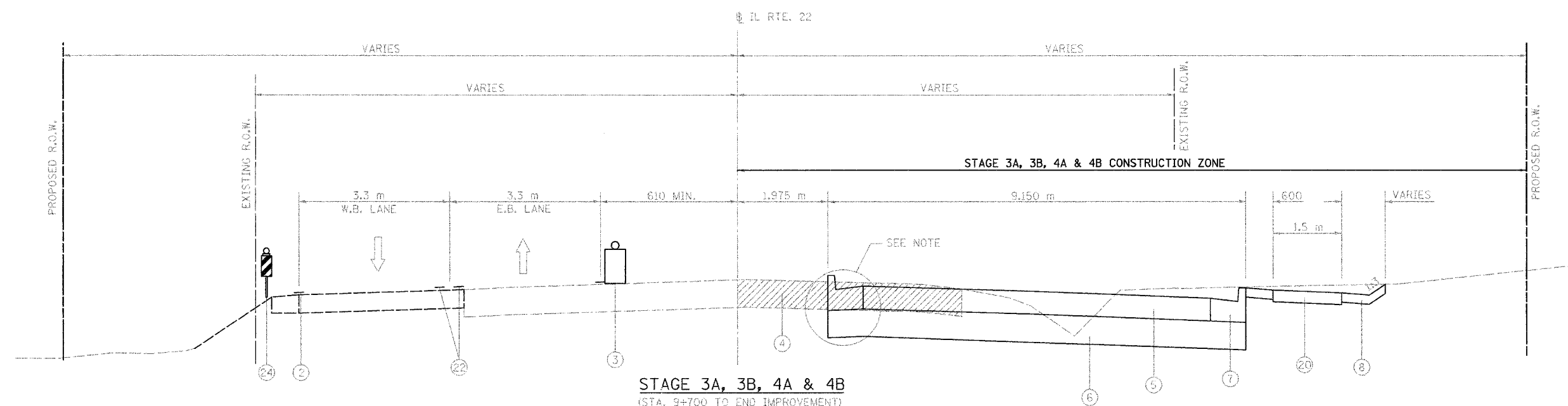


STAGE 2A & 2B
(STA. 9+700 TO END IMPROVEMENT)



STAGE 3A, 3B, 4A & 4B
(STA. 9+700 TO END IMPROVEMENT)

NOTE:
OMIT CURB & GUTTER CONSTRUCTION AT TEMPORARY CROSSOVER ZONES. SEE M.O.T. PLANS.

LEGEND, TRAFFIC MAINTENANCE

- | | | |
|-------------------------------------------------------------------------------------------------------------------------------------------------------------------------------------------|--------------------------------------------------------|-----------------------------------------------------------------------------|
| ① (OPTION 1) PORTLAND CEMENT CONCRETE BASE COURSE 180MM
(OPTION 2) BITUMINOUS BASE COURSE SUPERPAVE, 255MM
AND BITUMINOUS CONCRETE SURFACE COURSE, SUPERPAVE,
MIX "D",N50 (45MM) | ⑧ TOPSOIL, 100 mm | ⑰ BITUMINOUS SHOULDERS SUPERPAVE, 200 mm |
| ② TEMPORARY PAVEMENT MARKING, TAPE | ⑨ SODDING, SALT TOLERANT | ⑱ TEMPORARY AGGREGATE SHOULDER |
| ③ TEMPORARY LIGHTED BARRICADE, DRUM, OR VERTICAL PANEL | ⑩ CONCRETE MEDIAN SURFACE, 100 mm | ⑲ GUARDRAIL TO BE REMOVED |
| ④ EXISTING PAVEMENT TO BE REMOVED | ⑪ STABILIZED SUBBASE, 100 mm | ⑳ PORTLAND CEMENT CONCRETE SIDEWALK, 125 mm |
| ⑤ PORTLAND CEMENT CONCRETE PAVEMENT 250 mm (JOINTED) | ⑫ PORTLAND CEMENT CONCRETE BASE COURSE WIDENING 225 mm | ㉑ TRAFFIC CONTROL BARRIER - SEE MOT PLANS FOR LOCATIONS |
| ⑥ AGGREGATE SUBGRADE, 300 mm | ⑬ EXISTING CONCRETE CURB AND GUTTER TO BE REMOVED | ㉒ 100 mm DOUBLE YELLOW TEMPORARY PAVEMENT
MARKING TAPE @ 280 mm CC (TYP) |
| ⑦ COMBINATION CONCRETE CURB AND GUTTER, TYPE B-15.60 | ⑭ TEMPORARY PAVEMENT TO BE REMOVED | ㉓ EXISTING PAVEMENT MARKINGS |
| | | ㉔ VERTICAL PANEL POST MOUNTED |

= REMOVAL

REVISIONS	
NAME	DATE

ILLINOIS DEPARTMENT OF TRANSPORTATION
ILLINOIS ROUTE 22
FROM US RTE 12 TO BUESCHING RD
MAINTENANCE OF TRAFFIC
TYPICAL SECTIONS

DATE 7/21/04

DRAWN BY BKN
CHECKED BY ACW