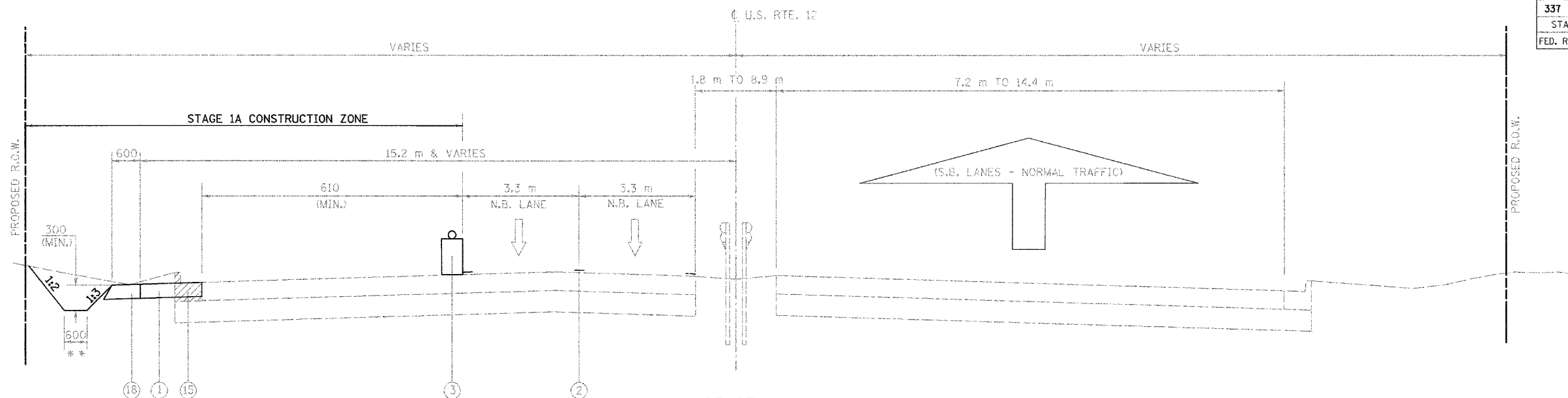


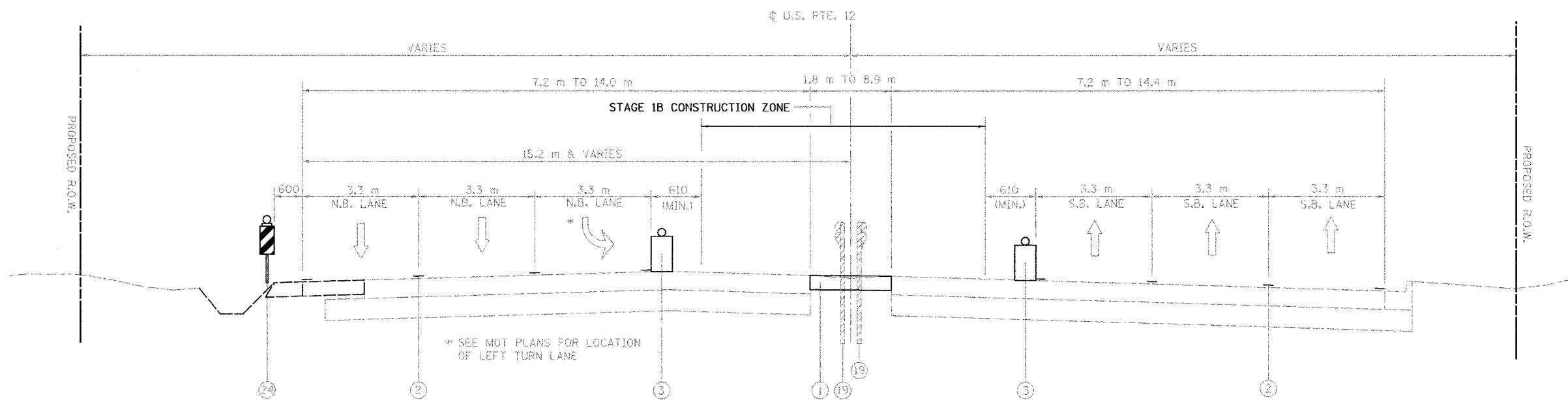
F.A. RTE.	SECTION	COUNTY	TOTAL SHEETS	SHEET NO.
337	19R-1	LAKE	800	83
STA.		TO STA.		
FED. ROAD DIST. NO.		ILLINOIS FED. AID PROJECT		

60997



STAGE 1A
(TL. RTE 22 TO ELA ROAD)

** SEE U.S. 12 PROPOSED CROSS SECTIONS FOR LOCATIONS OF TEMPORARY DITCHES



STAGE 1B
(TL. RTE. 22 TO ELA ROAD)

* SEE MOT PLANS FOR LOCATION OF LEFT TURN LANE

LEGEND, TRAFFIC MAINTENANCE

- | | | |
|--|--|--|
| ① (OPTION 1) PORTLAND CEMENT CONCRETE BASE COURSE 180MM | ⑧ TOPSOIL, 100 mm | ⑰ BITUMINOUS SHOULDERS SUPERPAVE, 200 mm |
| (OPTION 2) BITUMINOUS BASE COURSE SUPERPAVE, 255MM AND BITUMINOUS CONCRETE SURFACE COURSE, SUPERPAVE, MIX "D",N50 (45MM) | ⑨ SODDING, SALT TOLERANT | ⑱ TEMPORARY AGGREGATE SHOULDER |
| ② TEMPORARY PAVEMENT MARKING, TAPE | ⑩ CONCRETE MEDIAN SURFACE, 100 mm | ⑲ GUARDRAIL TO BE REMOVED |
| ③ TEMPORARY LIGHTED BARRICADE, DRUM, OR VERTICAL PANEL | ⑪ STABILIZED SUBBASE, 100 mm | ⑳ PORTLAND CEMENT CONCRETE SIDEWALK, 125 mm |
| ④ EXISTING PAVEMENT TO BE REMOVED | ⑫ PORTLAND CEMENT CONCRETE BASE COURSE WIDENING 225 mm | ㉑ TRAFFIC CONTROL BARRIER - SEE MOT PLANS FOR LOCATIONS |
| ⑤ PORTLAND CEMENT CONCRETE PAVEMENT 250 mm (JOINTED) | ⑬ EXISTING CONCRETE CURB AND GUTTER TO BE REMOVED | ㉒ 100 mm DOUBLE YELLOW TEMPORARY PAVEMENT MARKING TAPE @ 280 mm CC (TYP) |
| ⑥ AGGREGATE SUBGRADE, 300 mm | ⑭ TEMPORARY PAVEMENT TO BE REMOVED | ㉓ EXISTING PAVEMENT MARKINGS |
| ⑦ COMBINATION CONCRETE CURB AND GUTTER, TYPE B-15.60 | | ㉔ VERTICAL PANEL POST MOUNTED |

= REMOVAL

REVISIONS	
NAME	DATE

ILLINOIS DEPARTMENT OF TRANSPORTATION
U.S. ROUTE 12 (RAND ROAD)
(SOUTH LEG)
MAINTENANCE OF TRAFFIC
TYPICAL SECTIONS
DRAWN BY SRS
CHECKED BY SMK
DATE 7/21/04