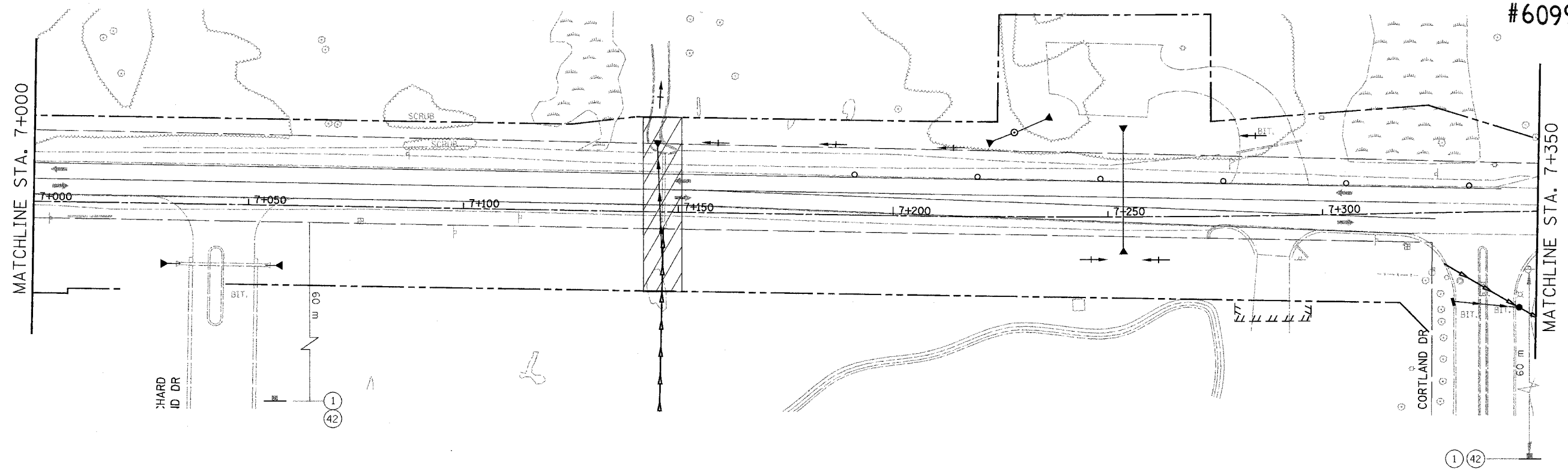
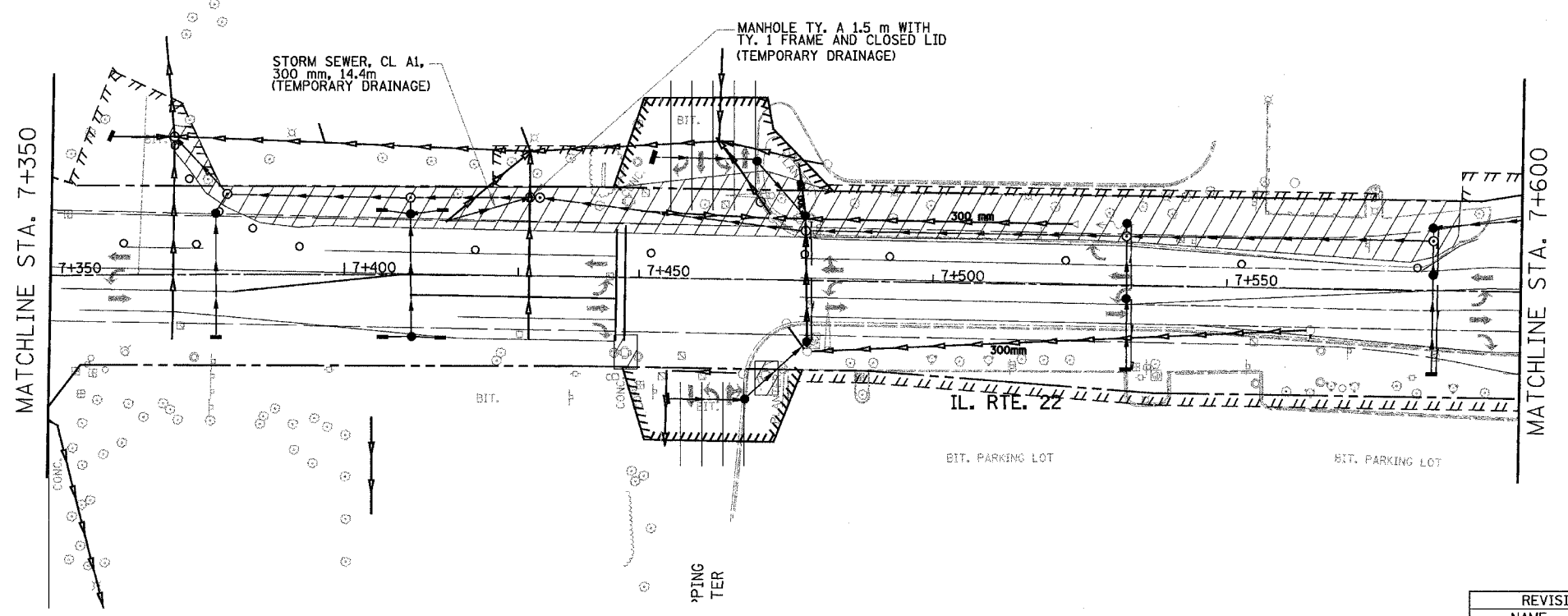


F.A. RTE.	SECTION	COUNTY	TOTAL SHEETS	SHEET NO.
337	19R-1	LAKE	800	96
STA.		TO STA.		
FED. ROAD DIST. NO.		ILLINOIS FED. AID PROJECT		

#60997



STAGE 1A TO USE EXISTING LANE LINES AND TRAFFIC MOVEMENTS



STAGE 1A TO USE EXISTING LANE LINES AND TRAFFIC MOVEMENTS

LEGEND

- TEMPORARY PAVEMENT
- CONSTRUCTION WORK ZONE

0 25 50
SCALE IN METERS

REVISIONS	
NAME	DATE
Rev. Geometry Sta.	11/24/04
6+922 to 7+440	

ILLINOIS DEPARTMENT OF TRANSPORTATION
ILLINOIS ROUTE 22
FROM US RTE 12 TO BUESCHING RD
MAINTENANCE OF TRAFFIC
STA. 7+000 TO STA. 7+600
STAGE 1A

DATE 7/21/04

DRAWN BY BKN
CHECKED BY SMK