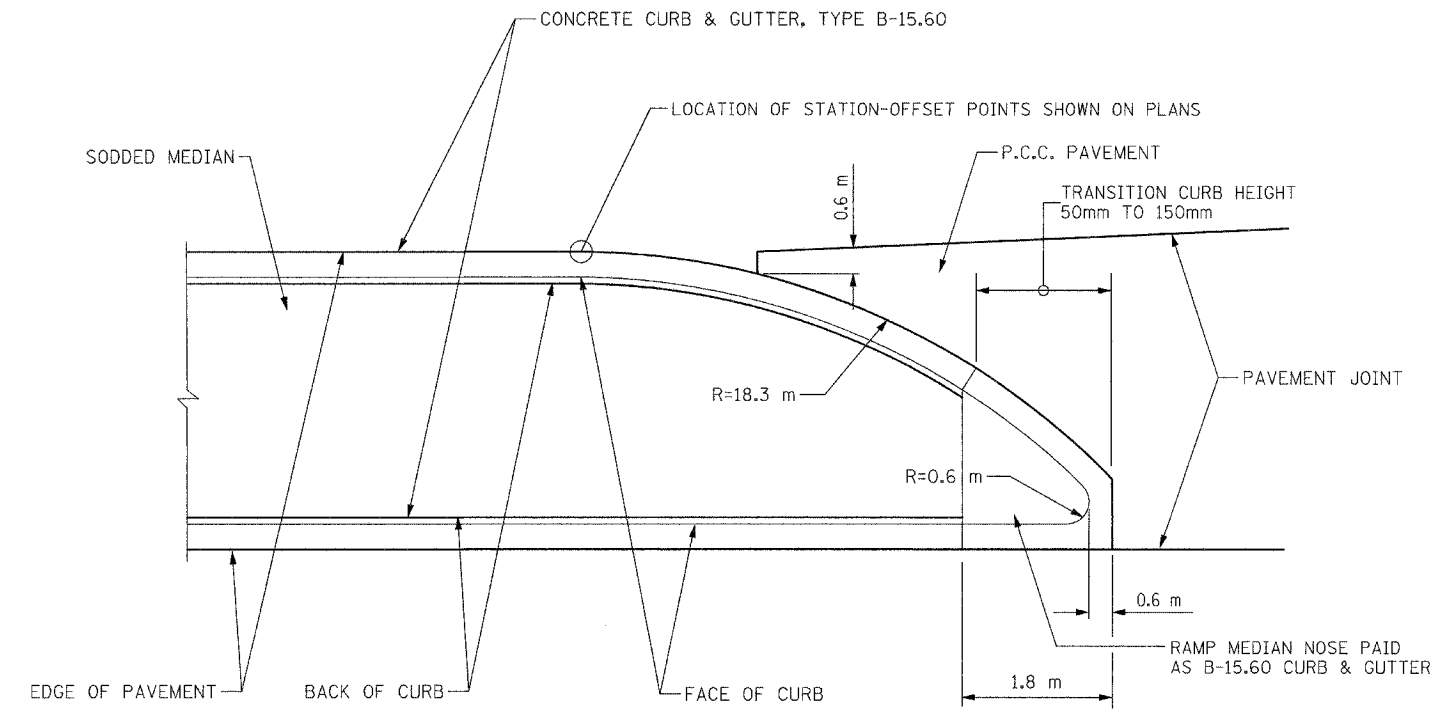
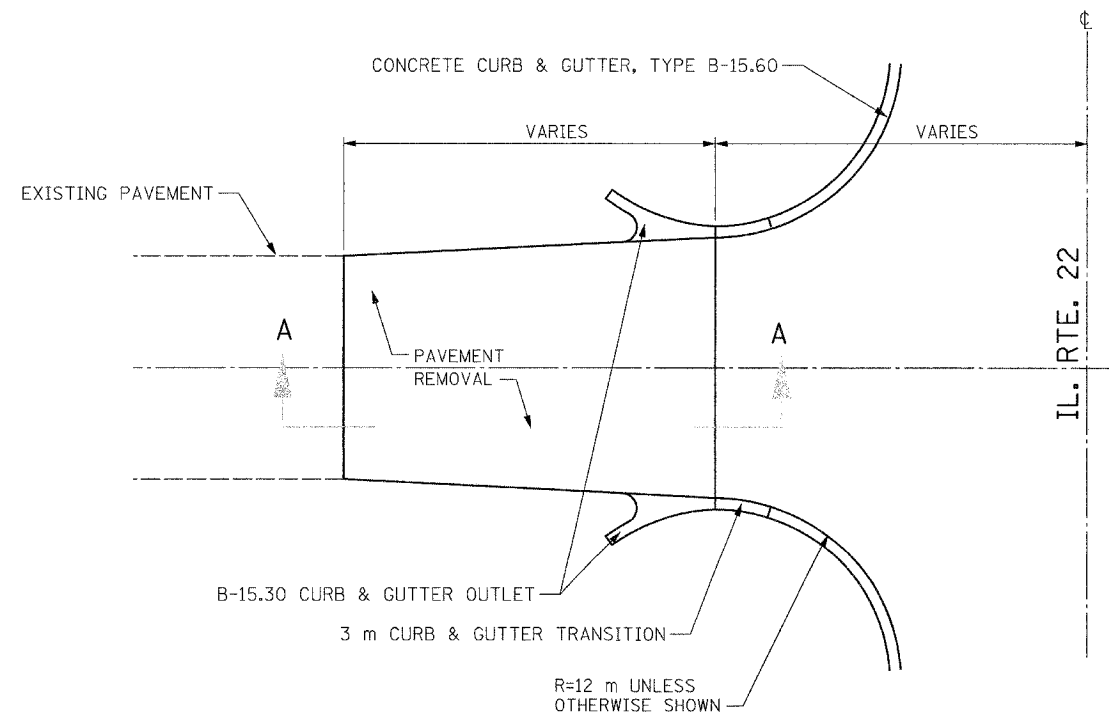
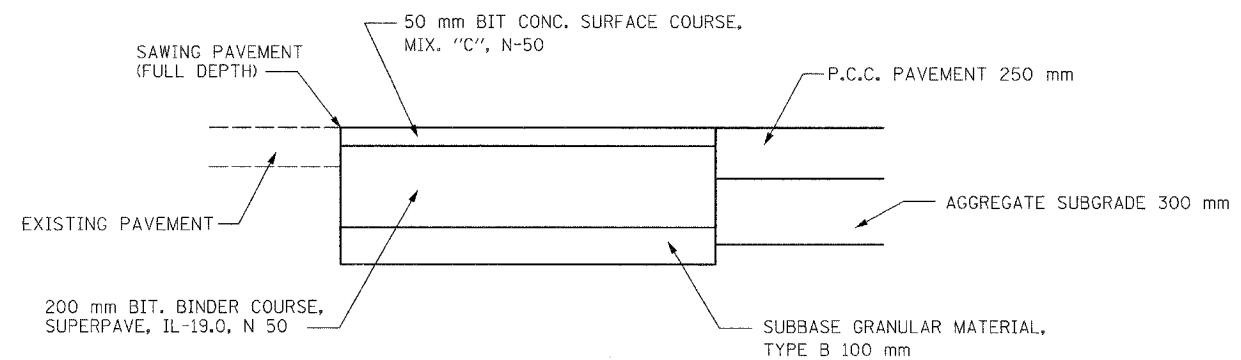
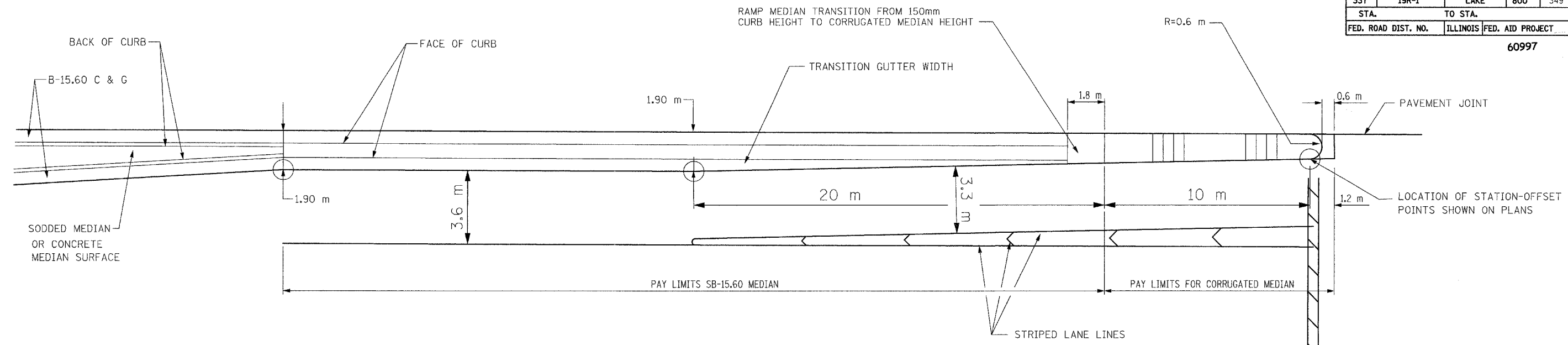


F.A. RTE.	SECTION	COUNTY	TOTAL SHEETS	SHEET NO.
337	19R-1	LAKE	800	349
STA.	TO STA.			
FED. ROAD DIST. NO.	ILLINOIS	FED. AID PROJECT		
		60997		



RAMPED MEDIAN NOSE DETAIL

TYPICAL SIDE ROAD DETAIL

REVISIONS	
NAME	DATE

ILLINOIS DEPARTMENT OF TRANSPORTATION
 ILLINOIS ROUTE 22
 FROM US RTE 12 TO BUESCHING RD
 PAVING DETAILS

SCALE : NONE
 DATE : 07/21/04

DESIGNED BY
 CHECKED BY