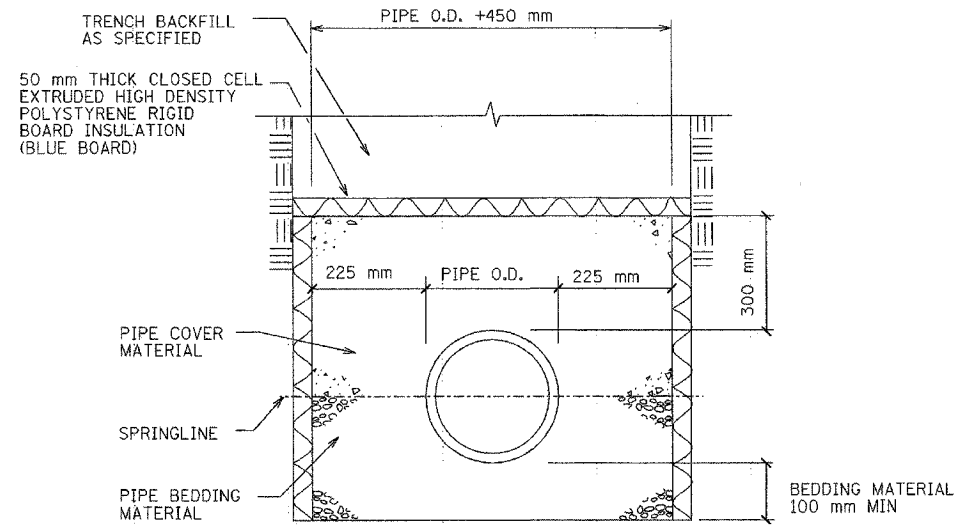


F.A. RTE.	SECTION	COUNTY	TOTAL SHEETS	SHEET NO.
337	19R-1	LAKE	800	391C
STA.		TO STA.		
FED. ROAD DIST. NO.		ILLINOIS FED. AID PROJECT		



INSULATION PER DETAIL IS REQUIRED WHEREVER COVER OVER THE TOP OF PIPE IS LESS THAN 1.7 m OR WHERE SHOWN. MINIMUM DISTANCE BETWEEN TOP OF PIPE AND GROUND IS 1.2 m.

INSULATION DETAIL

N.T.S.

NOTE: INSULATION SHALL BE INCIDENTAL TO THE COST OF THE WATER MAIN.

BY	DATE
SURVEYED	
PLOTTED	
TEMPLATE	
AREAS	
CHECKED	
NO.	

BY	DATE
SURVEYED	
PLOTTED	
TEMPLATE	
AREAS	
CHECKED	
NO.	

REVISIONS	
NAME	DATE

ILLINOIS DEPARTMENT OF TRANSPORTATION
 ILLINOIS ROUTE 22
 FROM US RTE 12 TO BEUSCHING RD
 DETAILS
 SANITARY SEWER AND WATER MAIN
 RELOCATION

DRAWN BY
 CHECKED BY
 DATE 09/06/02