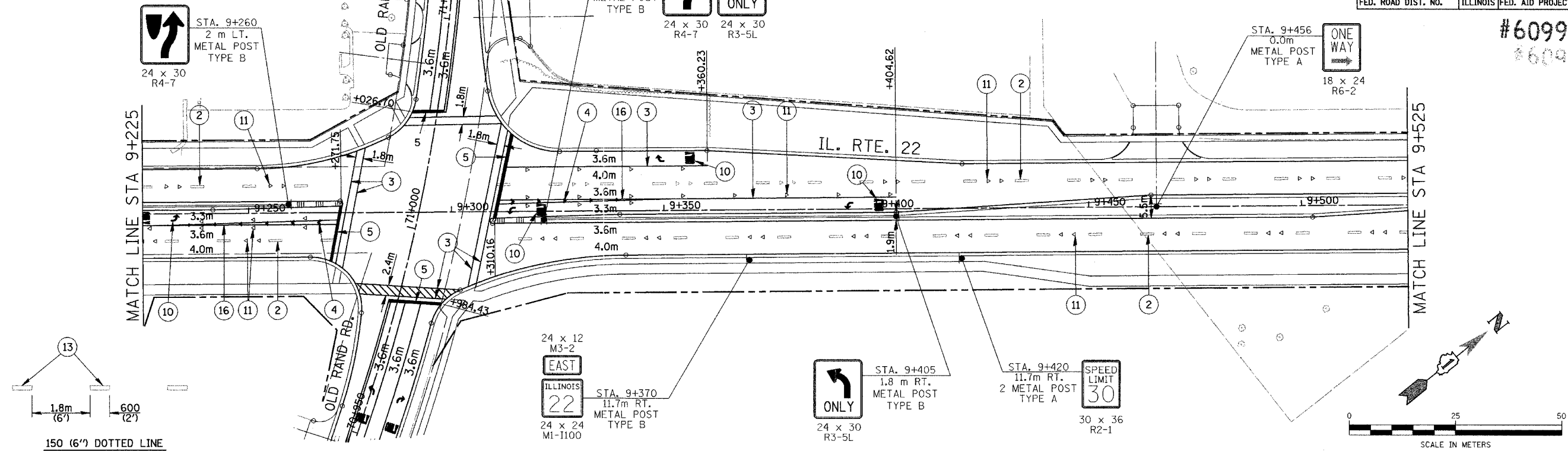


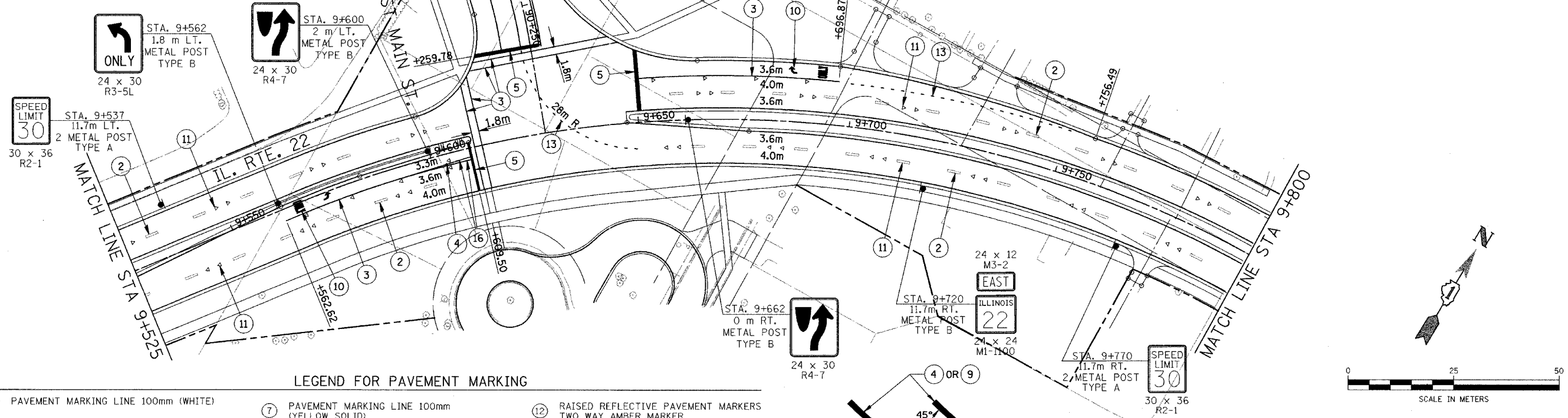
NOTE:
FOR PAVEMENT MARKING DETAIL OF INTERSECTION OF
IL. RTE. 22 AND OLD RAND ROAD, SEE SHEET 404 OF 800.

F.A. RTE.	SECTION	COUNTY	TOTAL SHEETS	SHEET NO.
337	19R-1	LAKE	800	397
STA. 9+225		TO STA. 9+800		
FED. ROAD DIST. NO.		ILLINOIS FED. AID PROJECT		

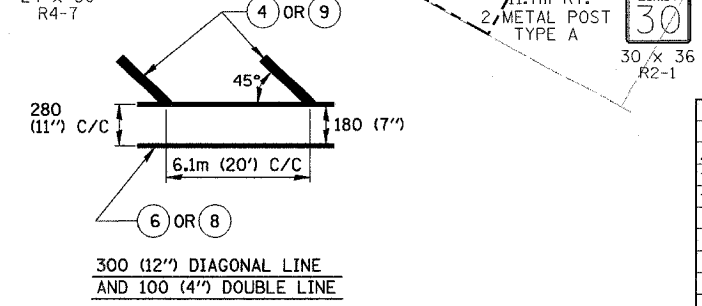
#60997
#60999



NOTE:
FOR PAVEMENT MARKING DETAIL OF INTERSECTION OF
IL. RTE. 22 AND EAST MAIN ST., SEE SHEET 405 OF 800.



- LEGEND FOR PAVEMENT MARKING**
- | | | |
|---|---|--|
| ① PAVEMENT MARKING LINE 100mm (WHITE) | ⑦ PAVEMENT MARKING LINE 100mm (YELLOW SOLID) | ⑫ RAISED REFLECTIVE PAVEMENT MARKERS TWO WAY AMBER MARKER |
| ② PAVEMENT MARKING LINE 100mm (WHITE, 3m-DASH, 9m-SKIP) | ⑧ PAVEMENT MARKING LINE 100mm (YELLOW, 3m-DASH, 9m-SKIP) | ⑬ PAVEMENT MARKING LINE 150mm (WHITE, 0.6m-DASH, 1.8m-SKIP) |
| ③ PAVEMENT MARKING LINE 150mm (WHITE) | ⑨ PAVEMENT MARKING LINE 300mm (YELLOW) | ⑭ RAISED REFLECTIVE PAVEMENT MARKERS ONE WAY AMBER MARKER |
| ④ PAVEMENT MARKING LINE 300mm (WHITE) | ⑩ PAVEMENT MARKING LETTERS AND SYMBOLS (WHITE) | ⑮ PAVEMENT MARKING LINE 150mm (YELLOW, 0.6m-DASH, 1.8m-SKIP) |
| ⑤ PAVEMENT MARKING LINE 600mm (WHITE) | ⑪ RAISED REFLECTIVE PAVEMENT MARKERS ONE WAY CRYSTAL MARKER | ⑯ PAVEMENT MARKING LINE 200mm (WHITE) |
| ⑥ PAVEMENT MARKING LINE 100mm (YELLOW, 2-100mm @ 280mm C/C) | | |



REVISIONS	
NAME	DATE
REVISOR	11/24/04
TITLE BLOCK	
TO INCLUDE SIGNING PLANS	

ILLINOIS DEPARTMENT OF TRANSPORTATION
ILLINOIS ROUTE 22
FROM US RTE 12 TO BUESCHING RD
PAVEMENT MARKING AND SIGNING PLANS
STA. 9+225 TO STA. 9+800

SCALE :
DATE : 07/21/04

DESIGNED BY J.T.M.
CHECKED BY J.M.C.