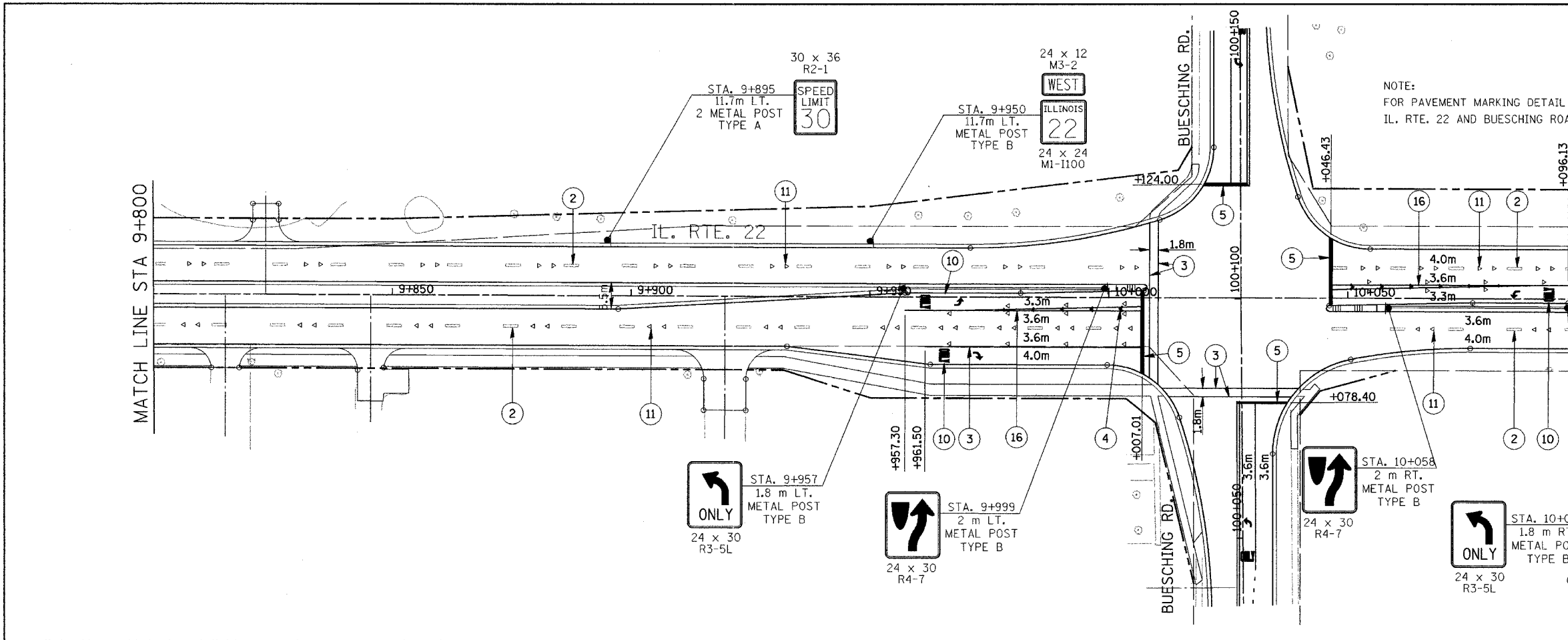
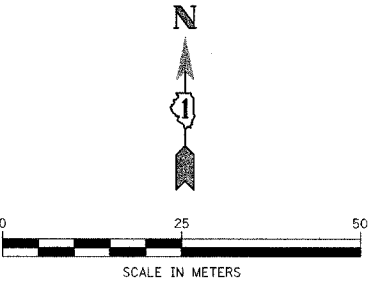
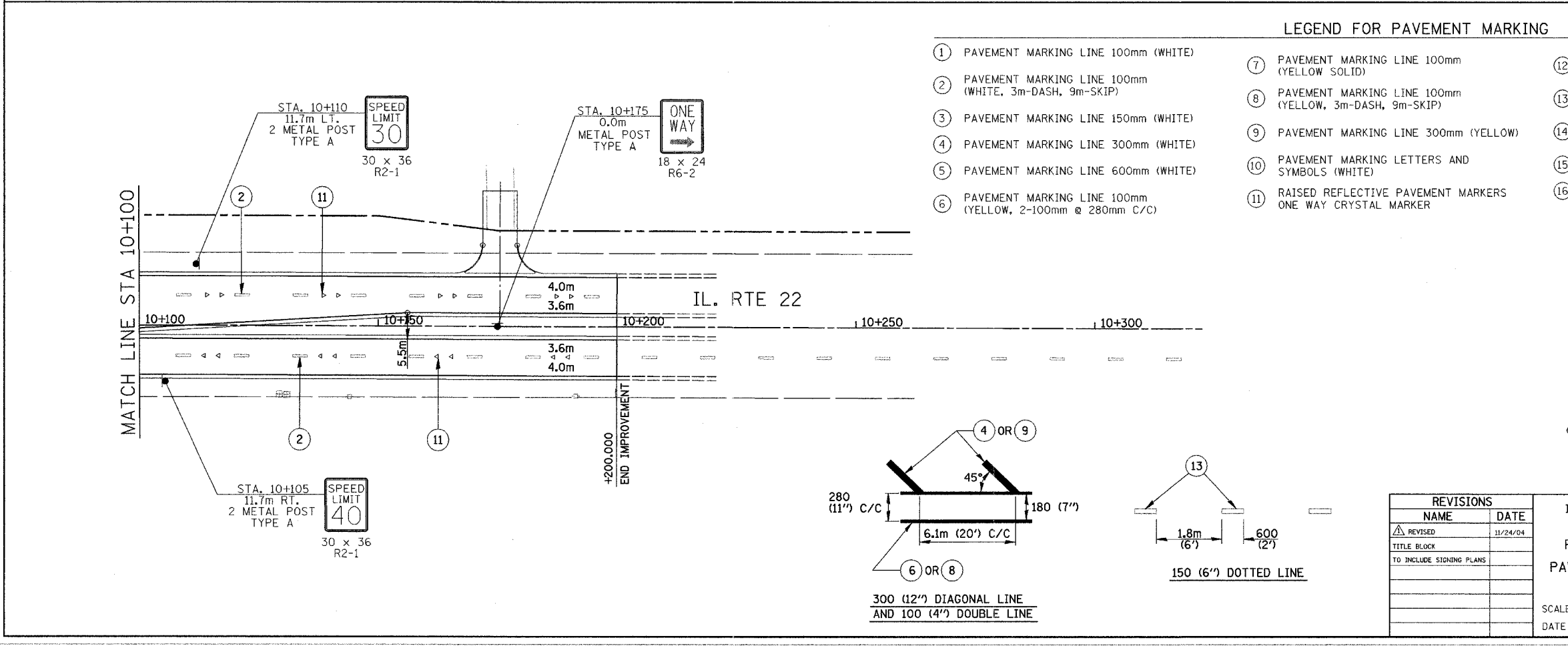
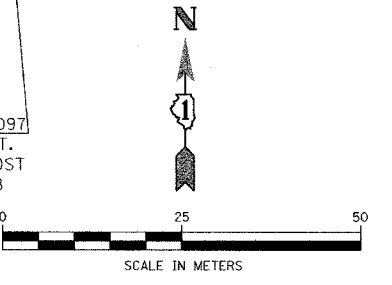


F.A. RTE.	SECTION	COUNTY	TOTAL SHEETS	SHEET NO.
337	19R-1	LAKE	800	398
STA. 9+800		TO STA. 10+200		
FED. ROAD DIST. NO.		ILLINOIS	FED. AID PROJECT	

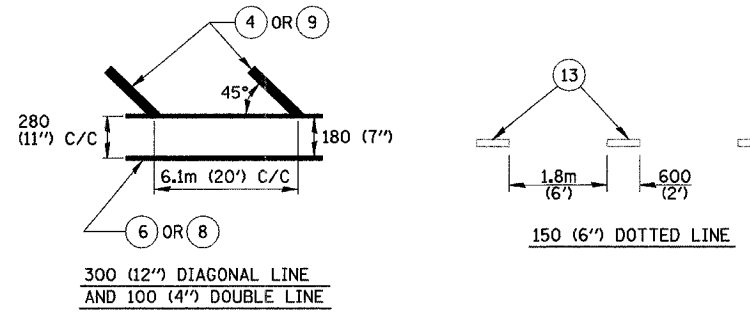


NOTE:
FOR PAVEMENT MARKING DETAIL OF INTERSECTION OF IL. RTE. 22 AND BUESCHING ROAD, SEE SHEET 406 OF 800. #60997



LEGEND FOR PAVEMENT MARKING

- ① PAVEMENT MARKING LINE 100mm (WHITE)
- ② PAVEMENT MARKING LINE 100mm (WHITE, 3m-DASH, 9m-SKIP)
- ③ PAVEMENT MARKING LINE 150mm (WHITE)
- ④ PAVEMENT MARKING LINE 300mm (WHITE)
- ⑤ PAVEMENT MARKING LINE 600mm (WHITE)
- ⑥ PAVEMENT MARKING LINE 100mm (YELLOW, 2-100mm @ 280mm C/C)
- ⑦ PAVEMENT MARKING LINE 100mm (YELLOW SOLID)
- ⑧ PAVEMENT MARKING LINE 100mm (YELLOW, 3m-DASH, 9m-SKIP)
- ⑨ PAVEMENT MARKING LINE 300mm (YELLOW)
- ⑩ PAVEMENT MARKING LETTERS AND SYMBOLS (WHITE)
- ⑪ RAISED REFLECTIVE PAVEMENT MARKERS ONE WAY CRYSTAL MARKER
- ⑫ RAISED REFLECTIVE PAVEMENT MARKERS TWO WAY AMBER MARKER
- ⑬ PAVEMENT MARKING LINE 150mm (WHITE, 0.6m-DASH, 1.8m-SKIP)
- ⑭ RAISED REFLECTIVE PAVEMENT MARKERS ONE WAY AMBER MARKER
- ⑮ PAVEMENT MARKING LINE 150mm (YELLOW, 0.6m-DASH, 1.8m-SKIP)
- ⑯ PAVEMENT MARKING LINE 200mm (WHITE)



REVISIONS	
NAME	DATE
REVISOR	11/24/04
TITLE BLOCK	
TO INCLUDE SIGNING PLANS	

ILLINOIS DEPARTMENT OF TRANSPORTATION
ILLINOIS ROUTE 22
FROM US RTE 12 TO BUESCHING RD
PAVEMENT MARKING AND SIGNING PLANS
STA. 9+800 TO STA. 10+200
SCALE :
DATE : 8/21/2004
DESIGNED BY J.T.M.
CHECKED BY J.M.C.