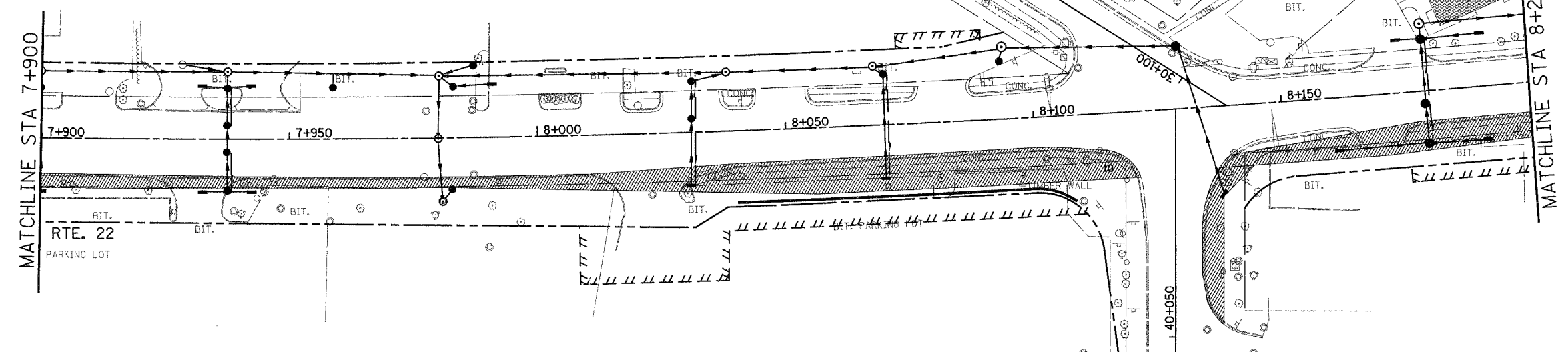
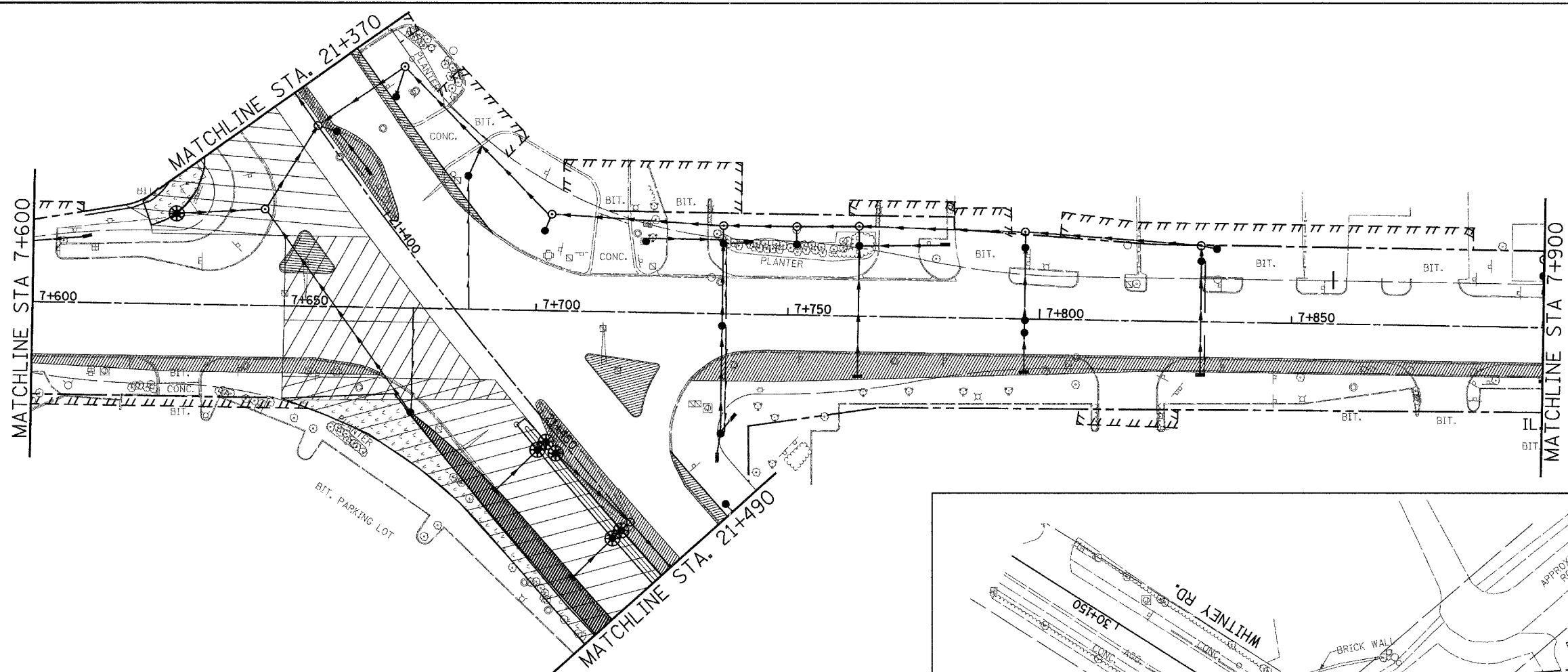
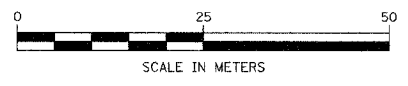


F.A. RTE.	SECTION	COUNTY	TOTAL SHEETS	SHEET NO.
337	19R-1	LAKE	800	442
STA. 7+600	TO STA. 8+200			
FED. ROAD DIST. NO.	ILLINOIS	FED. AID PROJECT 60997		



LEGEND:

- DRAINAGE STRUCTURE INLET FILTER
- INLET AND PIPE PROTECTION
- PERIMETER EROSION BARRIER
- TEMPORARY EROSION CONTROL SEEDING
- TEMPORARY DITCH CHECK
- DIVERSION CHANNEL
- SLOPE DRAIN



REVISIONS	
NAME	DATE

ILLINOIS DEPARTMENT OF TRANSPORTATION
 ILLINOIS ROUTE 22
 FROM US RTE 12 TO BUESCHING RD
 TEMPORARY EROSION CONTROL PLAN
 STA. 7+600 TO STA. 8+200
 STAGE 2A & 2B
 DRAWN BY RLS
 CHECKED BY MBF
 DATE 7/21/04