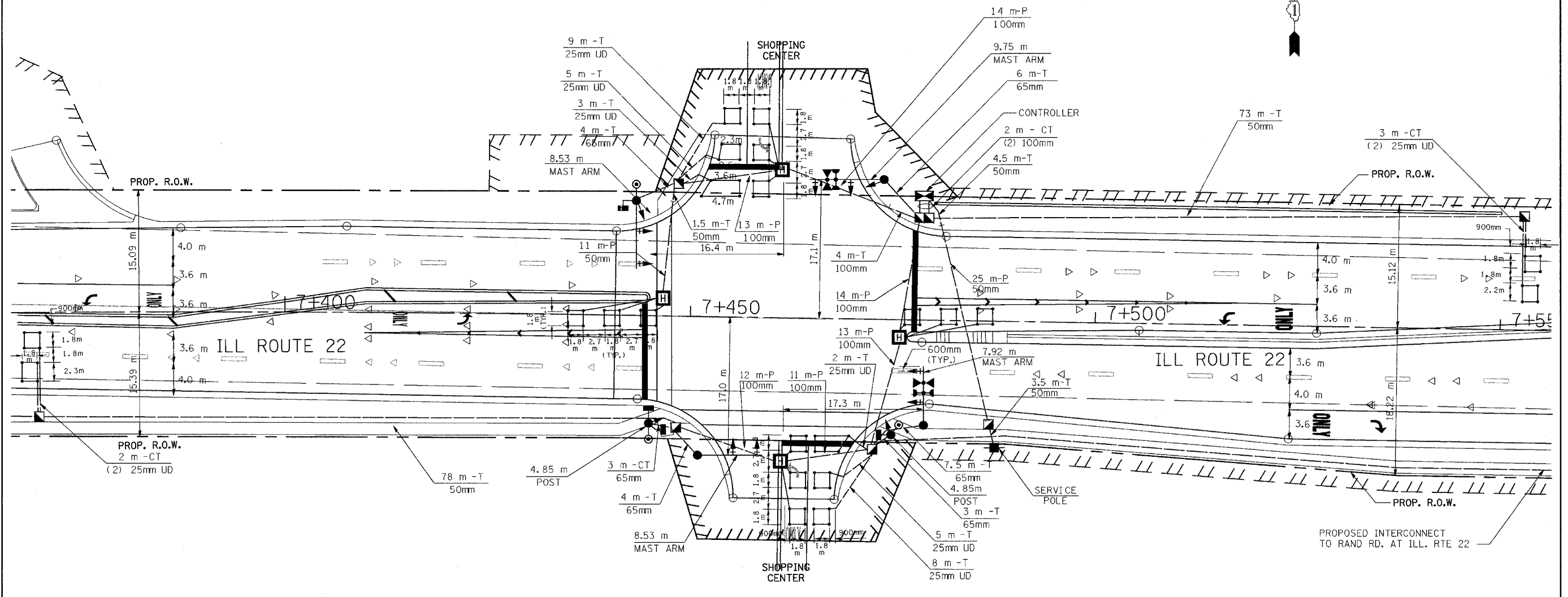


F.A. RTE.	SECTION	COUNTY	TOTAL SHEETS	SHEET NO.
337	19R-1	LAKE	800	501
STA.		TO STA.		
FED. ROAD DIST. NO.		ILLINOIS FED. AID PROJECT		
CONTRACT NO. 60997				



TRAFFIC SIGNAL LEGEND

CONTROLLER		EXISTING		CONFIRMATION BEACON		EXISTING	
SERVICE INSTALLATION		EXISTING		SIGNAL HEAD OPTICALLY PROGRAMMED		EXISTING	
SIGNAL HEAD		EXISTING		VIDEO DETECTION		EXISTING	
SIGNAL HEAD WITH BACKPLATE		EXISTING		TELEPHONE CONNECTION		EXISTING	
SIGNAL HEAD PEDESTRIAN		EXISTING		ILLUMINATED SIGN, FIBER OPTIC "NO LEFT TURN"		EXISTING	
SIGNAL POST		EXISTING		ILLUMINATED SIGN, FIBER OPTIC "NO RIGHT TURN"		EXISTING	
MAST ARM ASSEMBLY AND POLE, STEEL		EXISTING		CONDUIT SPLICE		EXISTING	
MAST ARM ASSEMBLY AND POLE, ALUMINUM		EXISTING		WOOD POLE		EXISTING	
HANDHOLE		EXISTING		RACEWAY FOR MAGNETIC DETECTOR, TYPE I OR TYPE II		EXISTING	
HEAVY DUTY HANDHOLE		EXISTING		VEHICLE DETECTOR, NON COMPENSATED MAGNETIC TYPE		EXISTING	
DOUBLE HANDHOLE		EXISTING		RAILROAD CONTROL CABINET		EXISTING	
G.S. CONDUIT IN TRENCH OR PUSHED		EXISTING					
PEDESTRIAN PUSHBUTTON DETECTOR		EXISTING					
DETECTOR LOOP		EXISTING					
CAST IRON JUNCTION BOX		EXISTING					
COMMON TRENCH		EXISTING					
UNIT DUCT		EXISTING					
EMERGENCY VEHICLE SYSTEM DETECTOR		EXISTING					

THE TRAFFIC SIGNAL CONTROL EQUIPMENT FOR THIS PROJECT SHALL BE "ECONOLITE" TO MATCH THE EXISTING ADJACENT SYSTEM.

REVISIONS	
NAME	DATE
REVISOR GEOMETRY	11/24/04
FROM STA. 6+922.366 TO	
STA. 7+440.820	

ILLINOIS DEPARTMENT OF TRANSPORTATION
TRAFFIC SIGNAL INSTALLATION PLAN
 IL RTE 22 & SHOPPING CENTER

SCALE: 1:250
 DATE: 07/21/04
 DRAWN BY: VAP
 DESIGNED BY: RAM
 CHECKED BY: DDL