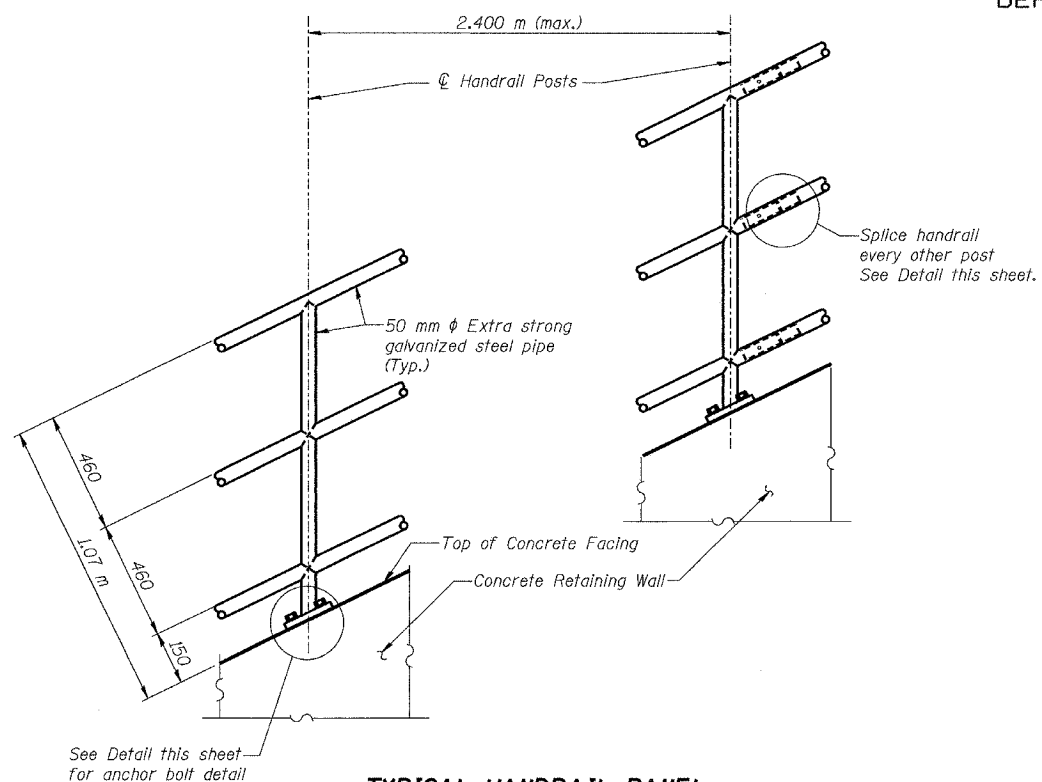
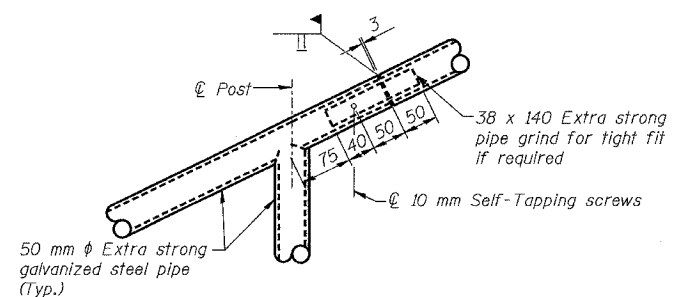


STATE OF ILLINOIS
DEPARTMENT OF TRANSPORTATION

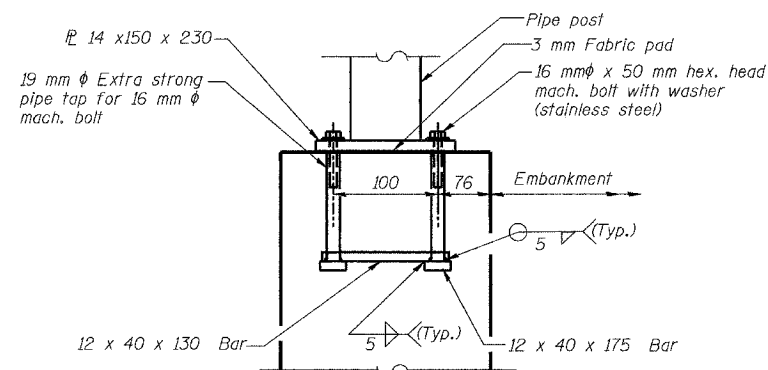
ROUTE NO.	SECTION	COUNTY	TOTAL SHEETS	SHEET NO.
FAP 337 (IL 22)	19R-1	LAKE	800	551
FED. ROAD DIST. NO.	ILLINOIS	FED. AID PROJECT-		



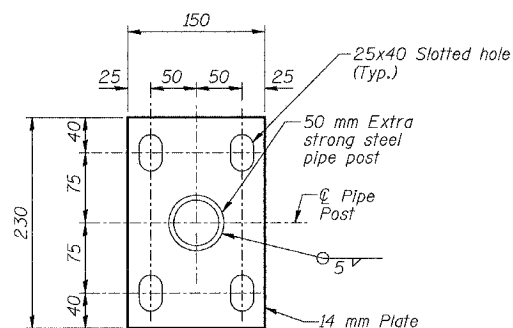
TYPICAL HANDRAIL PANEL



PIPE HANDRAIL SPLICE DETAIL



ANCHOR BOLT DETAIL FOR HANDRAIL POST



BASE PLATE FOR HANDRAIL POST

NOTES:

- All dimensions are in millimeters (mm) except as noted.
- See Sheet 1 of 3 for Limits of Pipe Handrail, Special.
- The Contractor shall coordinate with the Pipe Handrail fabricator for the as-built locations of the posts prior to fabricating Pipe Handrail. Post spacing shall be a maximum of 2.4 m and insure a 100 mm minimum clearance from anchor bolts to edge of concrete.
- Railing, posts, base plates and bolts, nuts and washers for pipe handrail connections shall be galvanized (See Special Provisions).
- All Pipe Handrail bends shall be made with an inside Radius of 150 mm.
- Bent Railing should not be ordered until Field Verification of Final As-Built Wall Geometry.
- The quantity shown for Pipe Handrail, Special on Sheet 2 of 3 includes one rail length per meter along the top of the wall. See Special Provisions.

PIPE HANDRAIL, SPECIAL DETAILS

Date	Designed	ACW	F.A.P. RTE. 337 (IL. RTE. 22) SECTION 19R-1 WEST OF U.S. 12 TO EAST OF BEUSCHING ROAD LAKE COUNTY STATION 8+040.000 TO 8+108.500	Sheet No.
Revisions	Drawn	BKN		3
	Checked	KWB		of 3
	Approved	KWB		
Prepared By:	URS 3040 North University Avenue Decatur, IL 62526			URS Job No. 2100001385.01