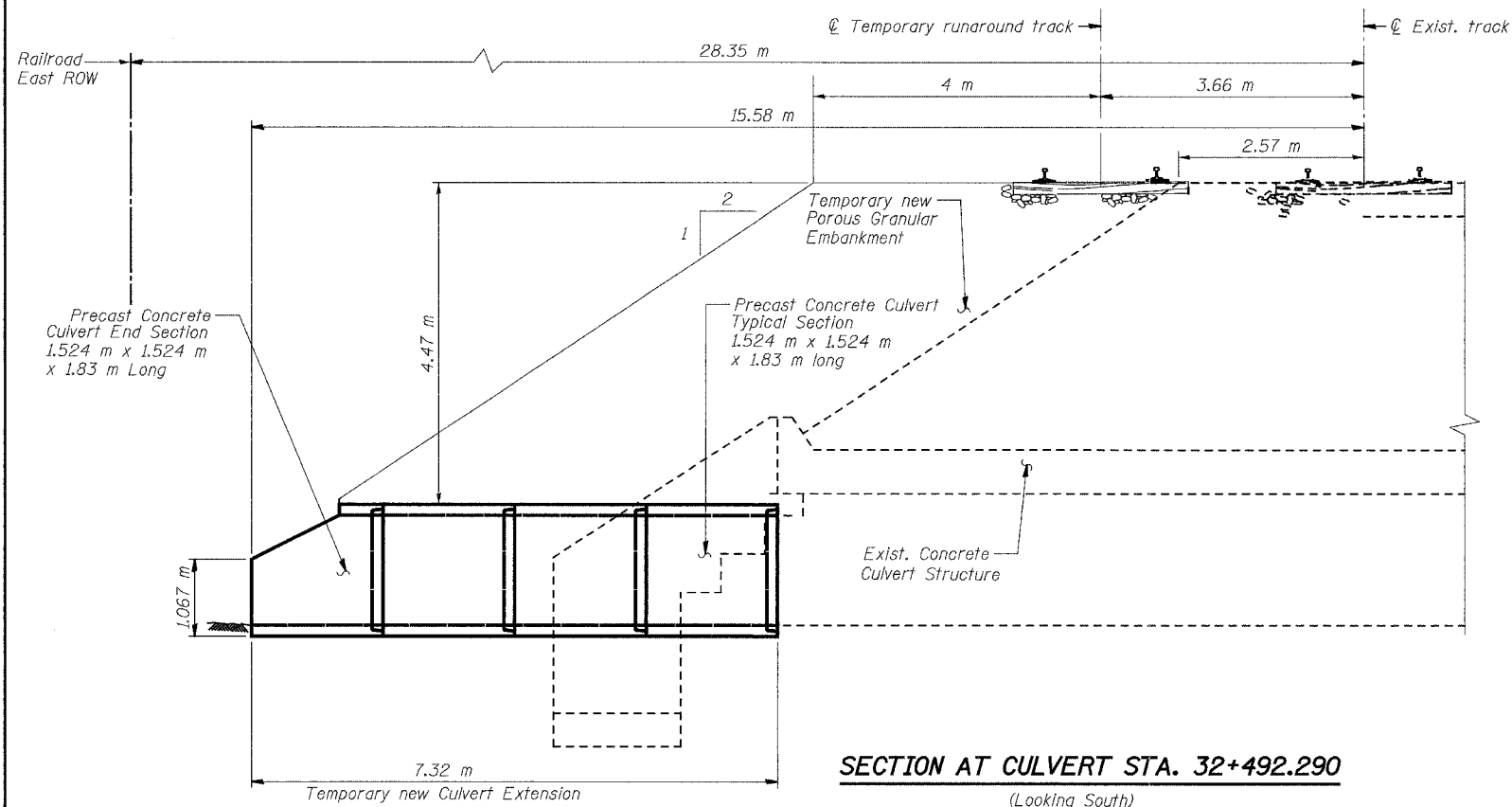
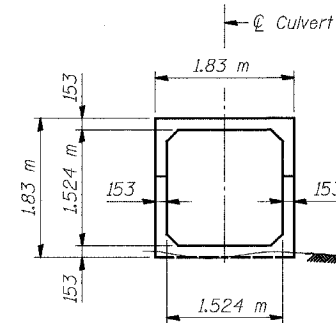


F.A. RTE.	SECTION	COUNTY	TOTAL SHEETS	SHEET NO.
337	19R-1	LAKE	800	554
STA.		TO STA.		
FED. ROAD DIST. NO.		ILLINOIS	FED. AID PROJECT	

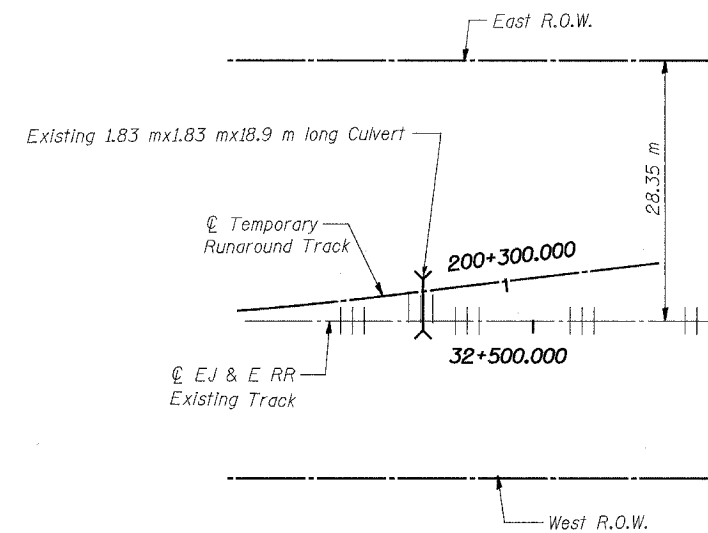
60997



SECTION AT CULVERT STA. 32+492.290
(Looking South)



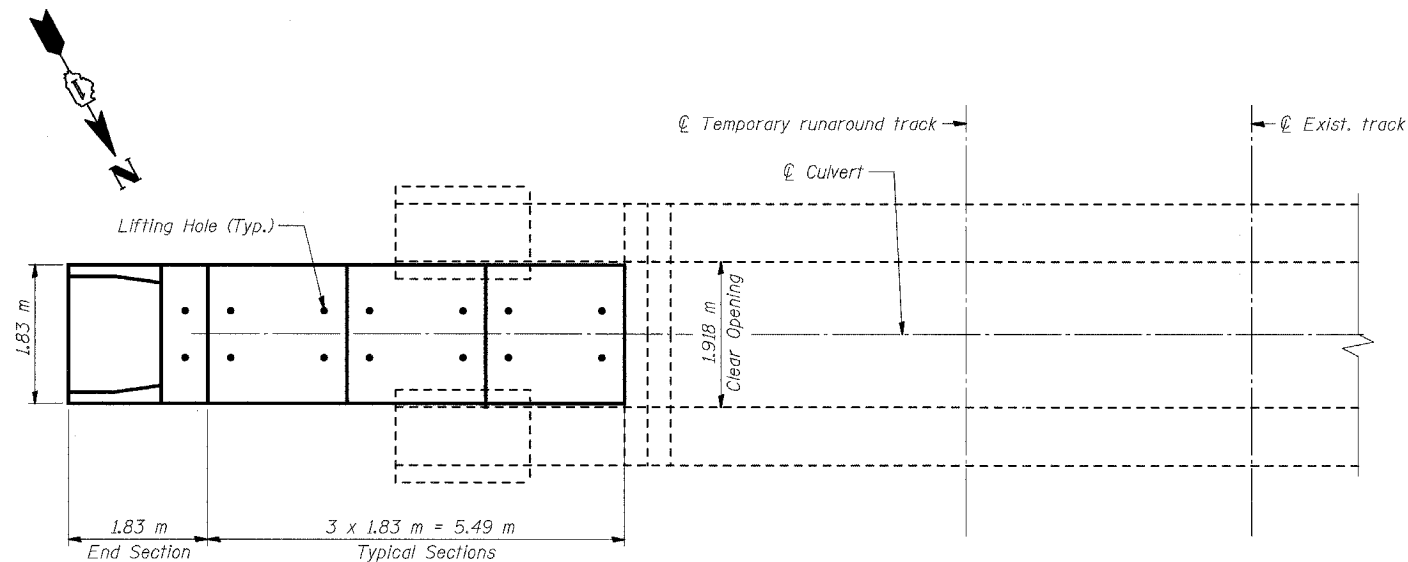
END VIEW



LOCATION PLAN FOR CULVERT AT STA. 32+492.290

Notes:

1. Work this Sheet with Sheets 2 and 3.
2. All dimensions are in millimeters (mm) except as noted.
3. The material and installation shall be in accordance with IDOT Standard Specification Section 584.
4. All dimensions to be verified in field by the Contractor before ordering materials.
5. See Sheet 2 for Typical Precast Concrete Culvert Details.
6. See Sheet 3 for Typical Precast Concrete Culvert End Section Details.
7. See Sheet 3 for Bill of Materials.
8. The joints of the Precast Box Sections and between the existing and the new section shall be sealed with mastic Joint Sealer in accordance with Section 1055 of the Standard Specifications.
9. Class SI Concrete shall be used.
10. For Lifting Holes locations see Sheets 2 and 3.
11. The shop drawings for the precast culvert shall contain the following statement: "I certify that to the best of my knowledge, information and belief, that this precast box culvert design is structurally adequate for the design fill height, span x rise, and AREMA loads requirements. The design is an economical one for the style of structure and complies with requirements of the current AREMA Specifications.
12. The maximum designed fill height for the precast culvert extension is 4.47 m.
13. The precast culvert extension shall meet requirements of Bureau of Materials and Physical Research (BMPR) Policy Memorandum 02-02 for the Quality Control/Quality Assurance Program for Precast Concrete Products.
14. The Contractor shall remove the temporary culvert extension and associated temporary porous granular embankment after the completion of bridge work and restore the area to original condition. The cost of this removal work shall be included in the price of respective pay items.



PARTIAL PLAN



REVISIONS	
NAME	DATE

ILLINOIS DEPARTMENT OF TRANSPORTATION
ILLINOIS ROUTE 22
FROM US RTE 12 TO BUESCHING RD
CULVERT EXTENSION AT STA. 32+492.290
PLAN, ELEVATION AND LOCATION PLAN
SCALE : NTS
DATE : 07/21/04
DESIGNED BY EV
CHECKED BY NPP