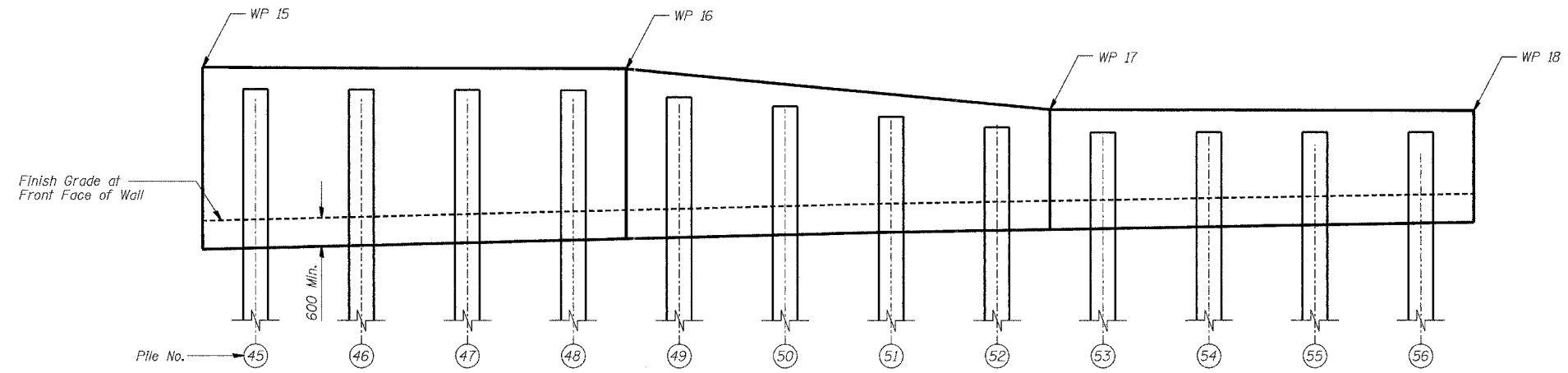
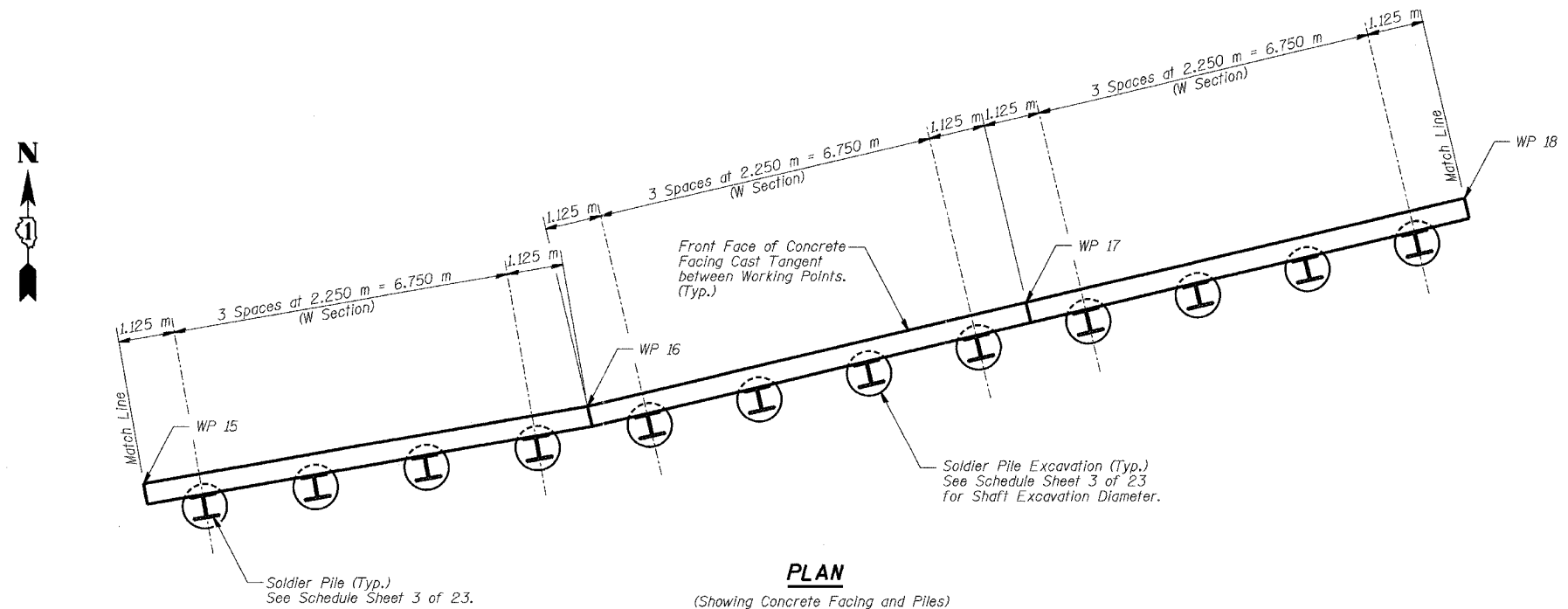


STATE OF ILLINOIS
DEPARTMENT OF TRANSPORTATION

ROUTE NO.	SECTION	COUNTY	TOTAL SHEETS	SHEET NO.
FAP 337 (IL 22)	19R-1	LAKE	800	566
FED. ROAD DIST. NO.	ILLINOIS	FED. AID PROJECT		



NOTES

1. Piles shall be placed with flanges parallel to the front face of wall.
2. All dimensions are in millimeters (mm) except as noted.
3. See Sheet 3 of 23 for Top of Pile Elevations.
4. See Sheets 9, 10, & 11 of 23 for Top & Bottom of Concrete Facing Elevations.

SOLDIER PILES			
Date	Designed	TDN	F.A.P. RTE. 337 (IL. RTE. 22) SECTION 19R-1 WEST OF U.S. 12 TO EAST OF BEUSCHING ROAD LAKE COUNTY STATION 8+752.493 TO 8+883.521 STRUCTURE NO. 049-W029
Revisions	Drawn	BKN	
	Checked	KWB	
	Approved	KWB	
			Sheet No. 7 of 23
			URS Job No. 2.100001385.01