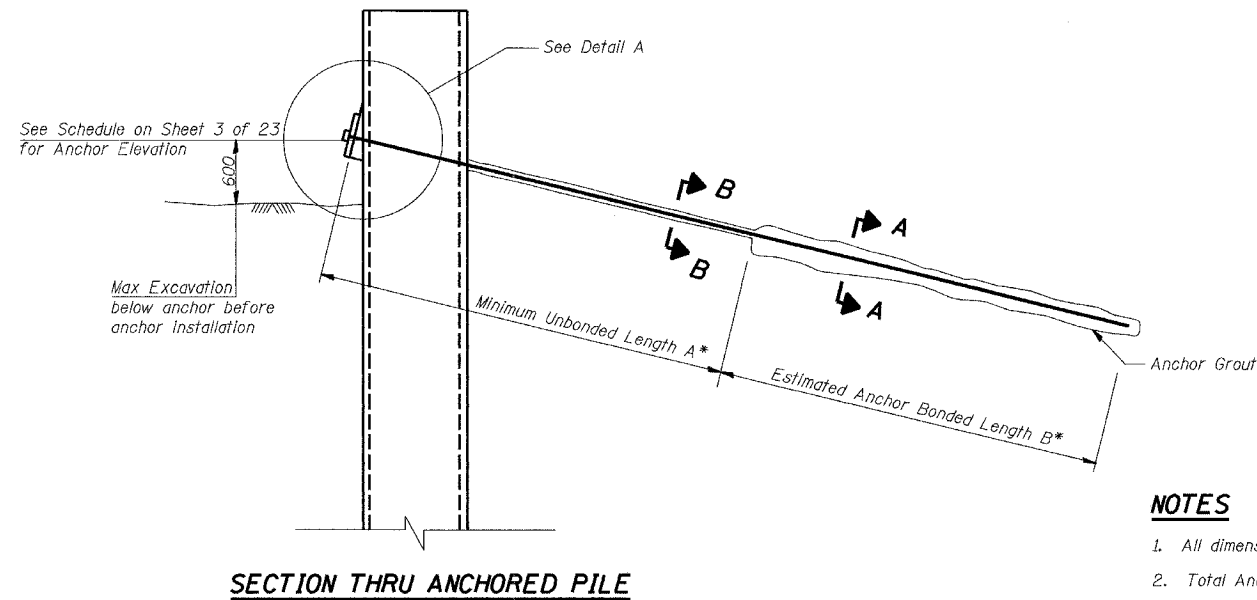
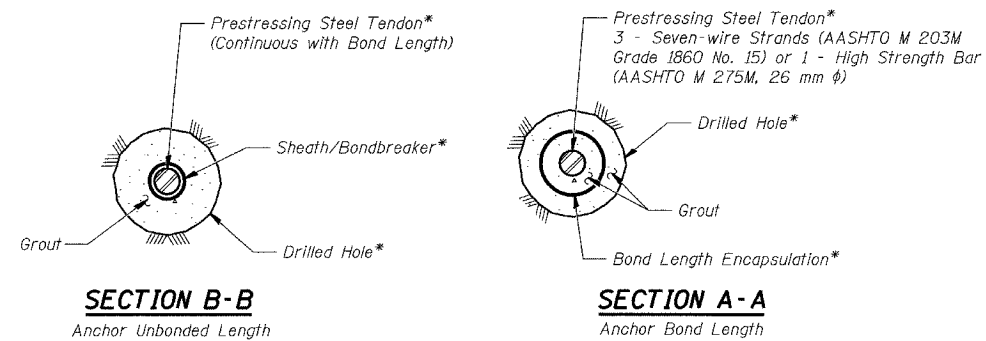
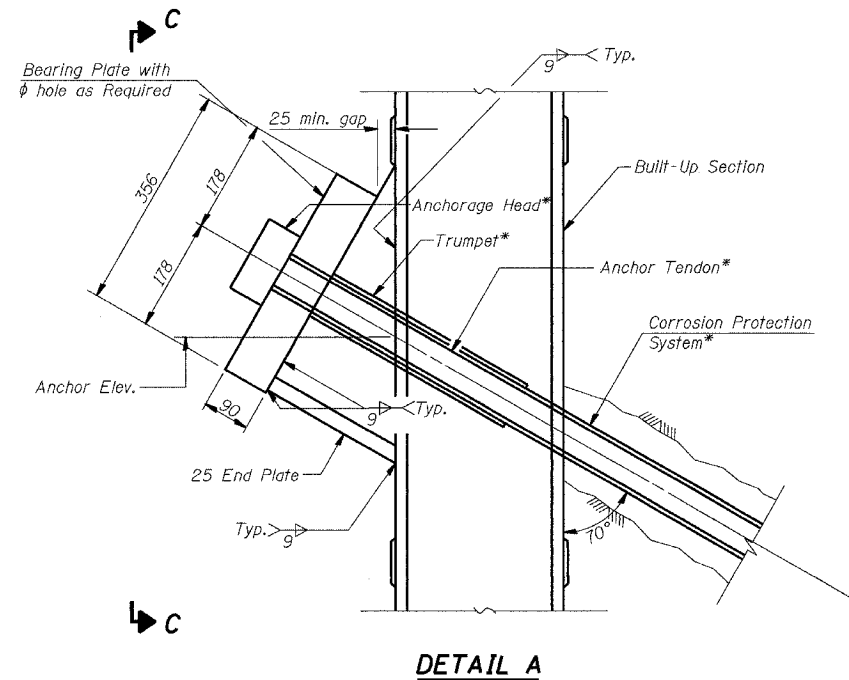
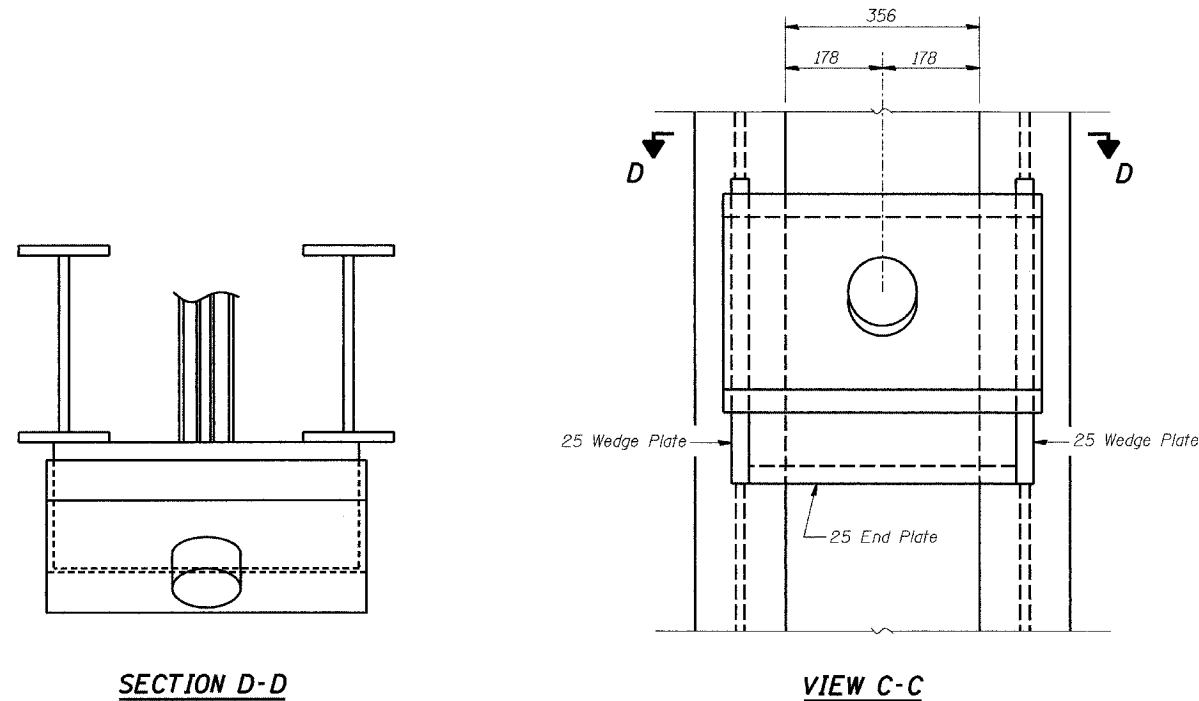


STATE OF ILLINOIS
DEPARTMENT OF TRANSPORTATION

ROUTE NO.	SECTION	COUNTY	TOTAL SHEETS	SHEET NO.
FAP 337 (IL 22)	19R-1	LAKE	800	574
FED. ROAD DIST. NO.	ILLINOIS	FED. AID PROJECT		



ANCHOR TABLE

Pile No.	A (m)	B (m)	P (kN)
9	4.57	2.76	126
10	4.57	6.10	277
11	4.57	7.19	327
12	4.57	9.10	414
13	4.57	9.69	441
14	4.57	9.42	429
15	4.57	7.71	351
16	4.57	6.12	279
17	4.57	6.32	287
18	4.57	6.25	284
19	4.57	6.18	281
20	4.57	6.12	278

Design Load = P
Lock off Load = P

NOTES

- All dimensions are in millimeters (mm) except as noted.
- Total Anchor Length shall be within Proposed Right-of-Way.
- Anchor Table based on a 305mm (12") diameter anchor bond.

Notes:
Contractor shall furnish and install Permanent Ground Anchors meeting the requirements for design load, unbonded length, and lock-off load shown on the plans. Items indicated with an asterisk(*) shall be selected and designed by the contractor. All materials and work shall be in compliance with the performance specification for Permanent Ground Anchor. (See Special Provisions)
Cost of furnishing, fabricating and attaching all Structural Steel for Permanent Ground Anchor is included with the cost of Permanent Ground Anchor.
All dimensions are in millimeters (mm) except as noted.

PERMANENT GROUND ANCHOR DETAILS

Date	Designed	TDN	F.A.P. RTE. 337 (IL. RTE. 22) SECTION 19R-1 WEST OF U.S. 12 TO EAST OF BEUSCHING ROAD LAKE COUNTY STATION 8+752.493 TO 8+883.521 STRUCTURE NO. 049-W029	Sheet No.
Revisions	Drawn	BKN		15
	Checked	KWB		of 23
	Approved	KWB		
				URS Job No. 2100001385.01