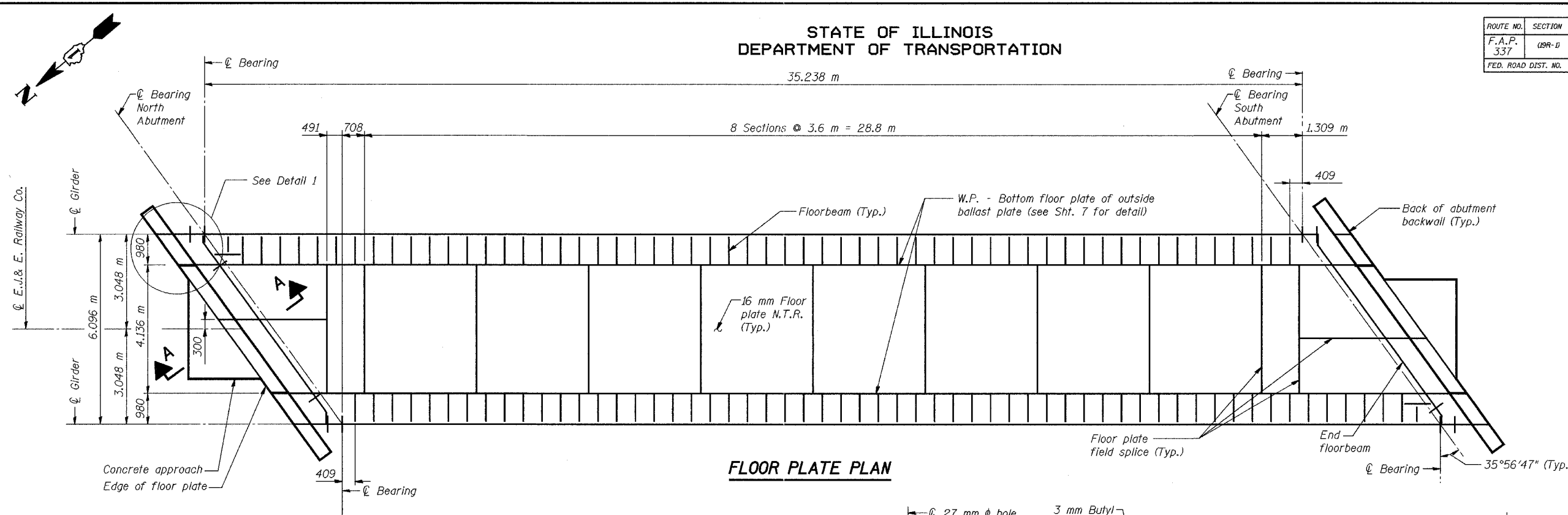


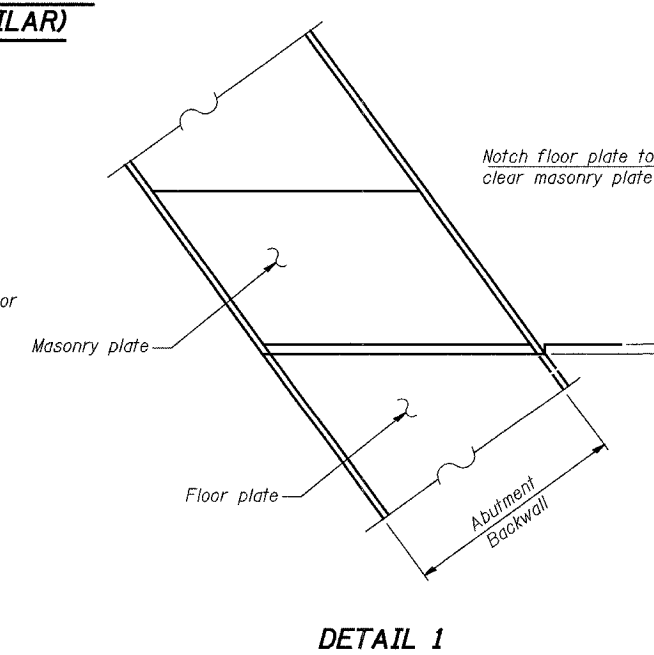
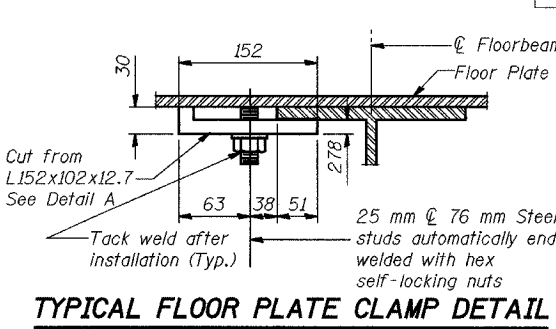
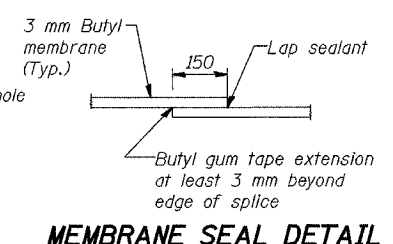
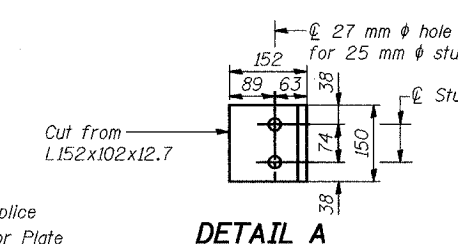
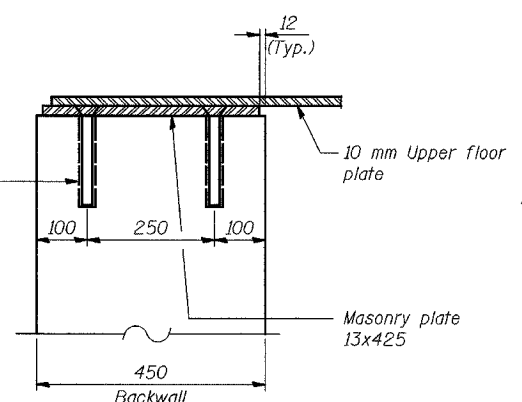
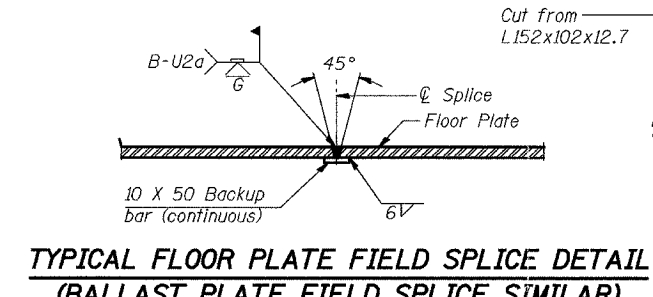
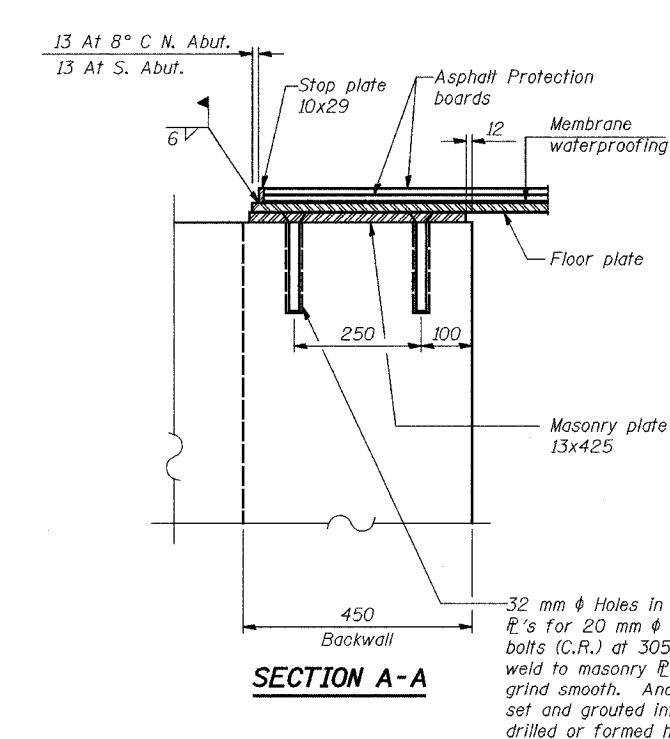
STATE OF ILLINOIS
DEPARTMENT OF TRANSPORTATION

ROUTE NO.	SECTION	COUNTY	TOTAL SHEETS	SHEET NO.
F.A.P. 337	19R-D	LAKE	800	587
FED. ROAD DIST. NO.	ILLINOIS	FED. AID PROJECT		

SHEET NO. 5
37 SHEETS



NOTE TO ERECTOR:
The floor plate clamp is to be installed square with the beam. Any clamps that are not square shall be corrected at the Contractor's expense. Clamps will be tack welded at right angles to floorbeams.



- Notes:
- All shop and field welds on the deck shall be continuous unless otherwise shown and shall result in a watertight deck.
 - Anchor bolts in masonry shall be corrosion resistant, low alloy structural steel conforming to the requirements of ASTM specifications A276, Type 410, annealed.
 - Floor plate clamps shall be spaced to miss floorbeams, cross beams and diaphragms.
 - Remove sharp edges or any projections from floor plates or welds that may damage the butyl rubber membrane.
 - The Contractor may, at his option, eliminate the longitudinal splice or any of the transverse splices but the locations of the remaining splices shall not be changed.
 - All dimensions are in millimeters (mm) except as noted.
 - The ballast plate clamp shall be at right angle to the knee brace before tack welding. Any clamps that are not square shall be corrected at the Contractor's expense.
 - C.R. Indicates corrosion resistant ASTM A588 steel.
 - Work this sheet with sheets 6, 7 & 10.
 - N.T.R. indicates notch toughness requirements.
 - See Sht. 6 for location of Section B-B.
 - All material shall be AASHTO M 270M Grade 345 (ASTM A 709M Grade 345) unless noted otherwise.
 - See Sht. 2 for Bill of Material and General Notes.

FLOOR PLATE DETAILS			Sheet No.
Date	Designed EV	ELGIN, JOLIET & EASTERN RY. CO. BRIDGE OVER ILLINOIS ROUTE 22 F.A.P. ROUTE 337 SECTION (19R-D) LAKE COUNTY STATION 32+61.151 STRUCTURE NO. 049-0188	5 of 37
Revisions	Drawn EV		
	Checked NPP		
	Approved NPP		
	Prepared By: URS		