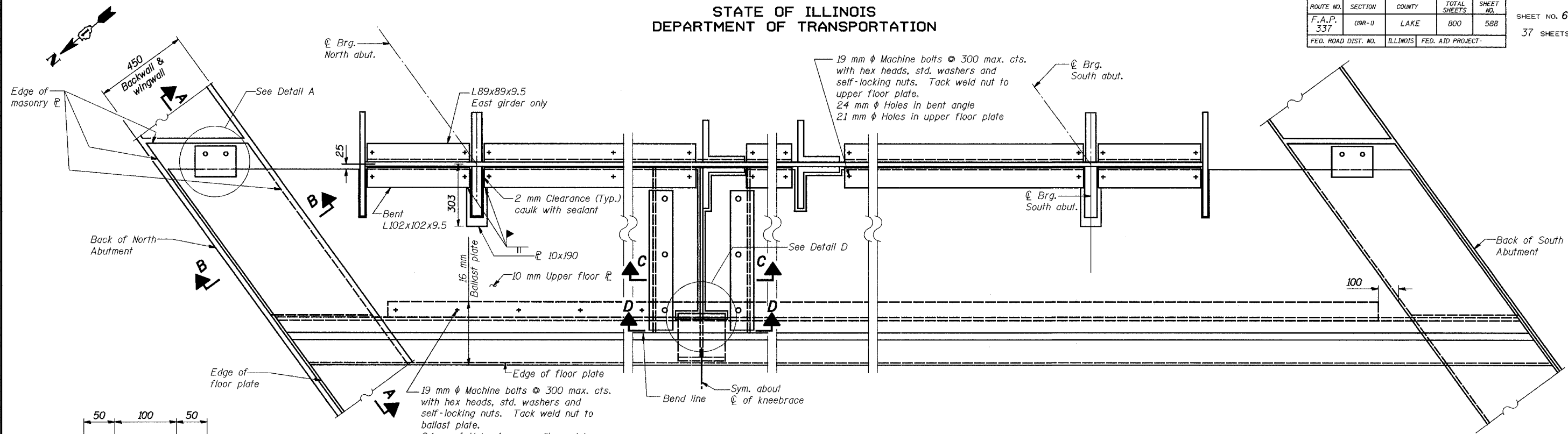


STATE OF ILLINOIS
DEPARTMENT OF TRANSPORTATION

ROUTE NO.	SECTION	COUNTY	TOTAL SHEETS	SHEET NO.
F.A.P. 337	19R-D	LAKE	800	588
FED. ROAD DIST. NO.	ILLINOIS	FED. AID PROJECT		

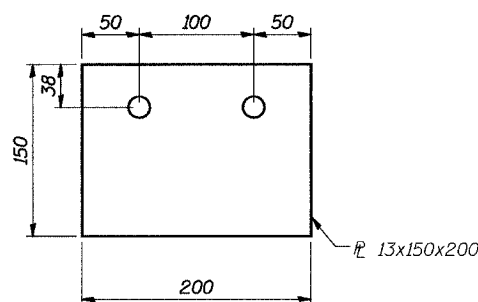
SHEET NO. 6
37 SHEETS



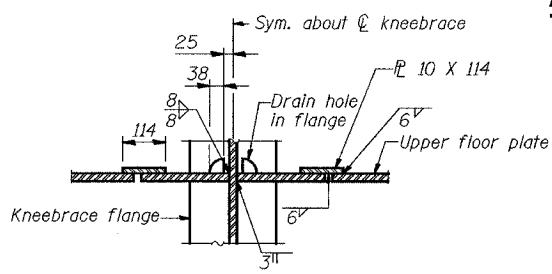
AT NORTH ABUTMENT

**AT KNEEBRACE AT STIFFENER
PARTIAL PLAN OF UPPER FLOOR PLATE**

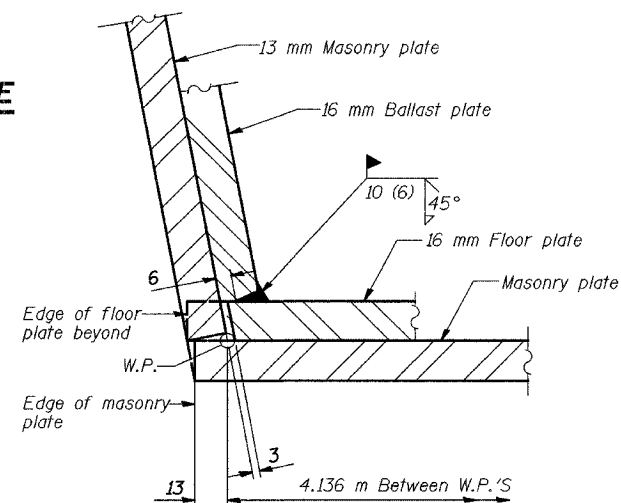
AT SOUTH ABUTMENT



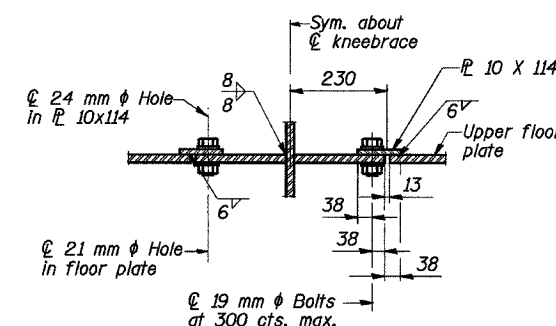
DETAIL A



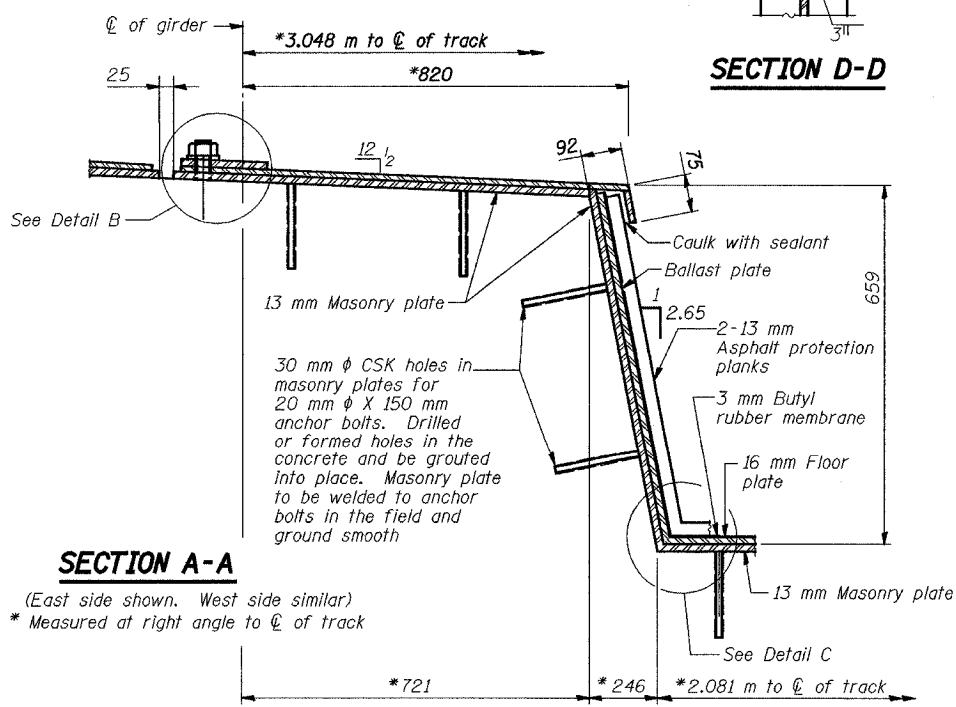
SECTION D-D



DETAIL C

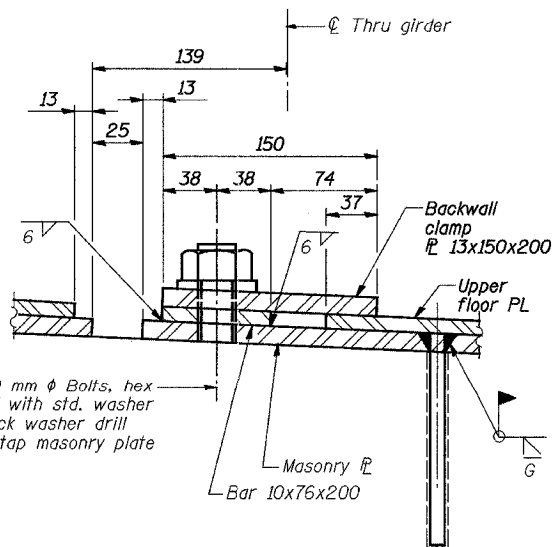


SECTION C-C



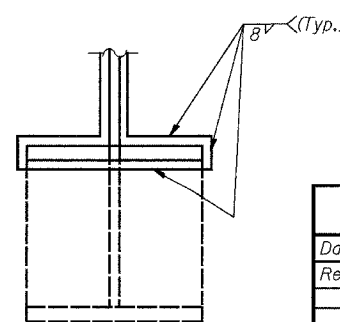
SECTION A-A

(East side shown. West side similar)
* Measured at right angle to centerline of track



DETAIL B

At right angle to centerline of track



DETAIL D

Notes:

- See Sht. 5 for Section B-B
- All material for the upper floor plate shall be AASHTO M270M Grade.

UPPER FLOOR PLATE DETAILS

Date	Designed EV	ELGIN, JOLIET & EASTERN RY. CO. BRIDGE OVER ILLINOIS ROUTE 22 F.A.P. ROUTE 337 SECTION (19R-D) LAKE COUNTY STATION 32+61.151 STRUCTURE NO. 049-0188	6 of 37
Revisions	Drawn EV		
	Checked NPP		
	Approved NPP		
	Prepared By: URS		