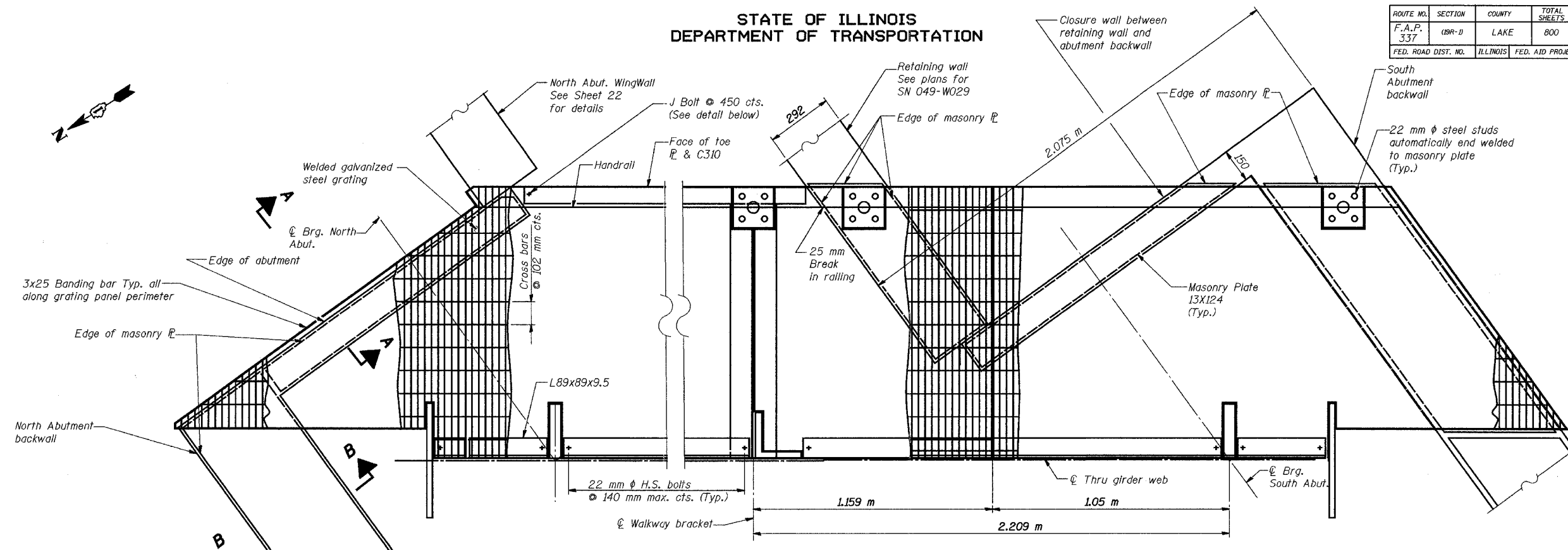


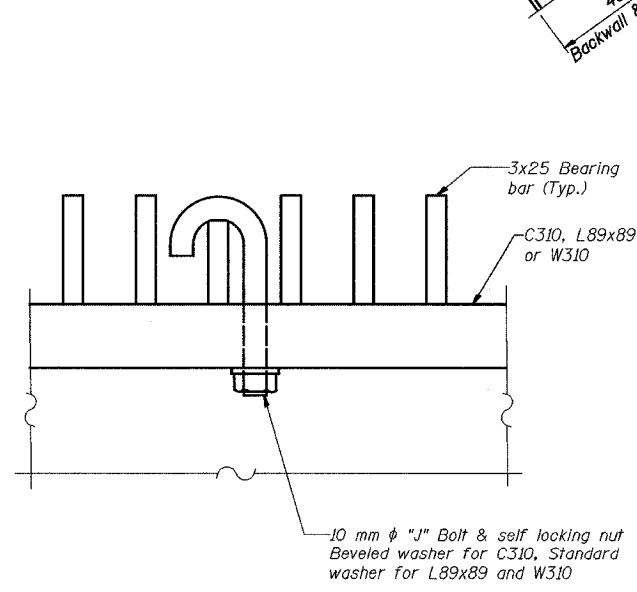
STATE OF ILLINOIS
DEPARTMENT OF TRANSPORTATION

ROUTE NO.	SECTION	COUNTY	TOTAL SHEETS	SHEET NO.
F.A.P. 337	(BR-D)	LAKE	800	595
FED. ROAD DIST. NO.	ILLINOIS	FED. AID PROJECT-		

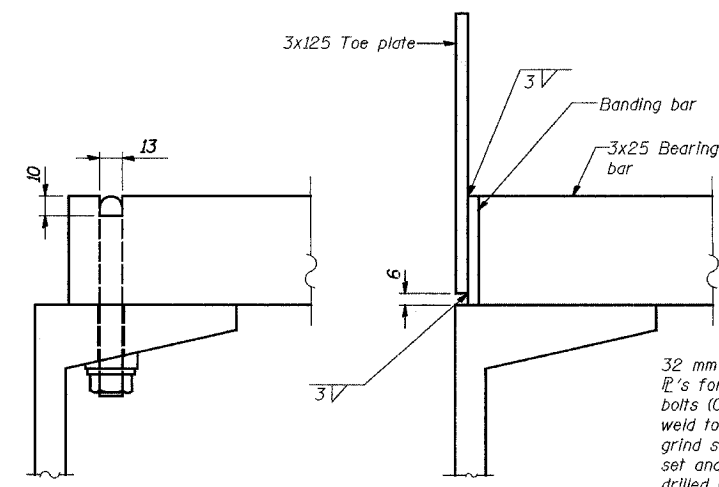
SHEET NO. 13
37 SHEETS



WALKWAY PLAN

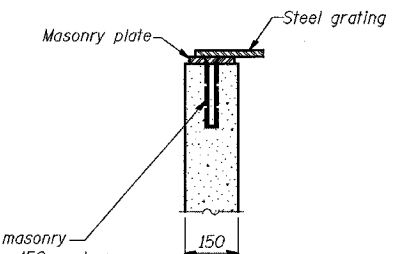


'J' BOLT DETAIL



SECTION A-A

(C310 Shown, L89X89 and W310 similar)



SECTION B-B

(C310 Shown, L89X89 and W310 similar)

- Notes:
- Grating shall be bolted to channel, beam and angle by means of "J" bolts or other type of bolts approved by the Engineer. Each panel shall have one bolt in each corner with a maximum longitudinal spacing of 450 mm cts. between bolts. Drill 11 mm diameter holes for "J" bolts in field.
 - Grating, "J" bolts, nuts and washers shall be galvanized (See Special Provisions).
 - See Sheet 5 for Section B-B.

BILL OF MATERIAL

ITEM	UNIT	TOTAL
Steel Grate Walkway	sq m	45.7

WALKWAY DETAILS			
Date	Designed	EV	ELGIN, JOLIET & EASTERN RWY. CO. BRIDGE OVER ILLINOIS ROUTE 22 F.A.P. ROUTE 337 SECTION (BR-D) LAKE COUNTY STATION 32+611.151 STRUCTURE NO. 049-0188
Revisions	Drawn	EV	
	Checked	NPP	
	Approved	NPP	
	Prepared By:	URS	
			Sheet No. 13 of 37