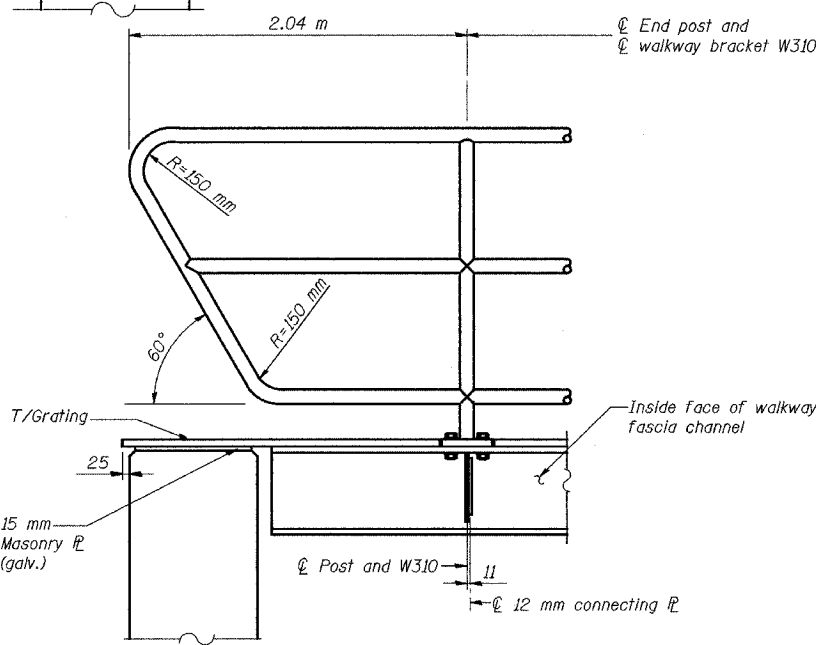
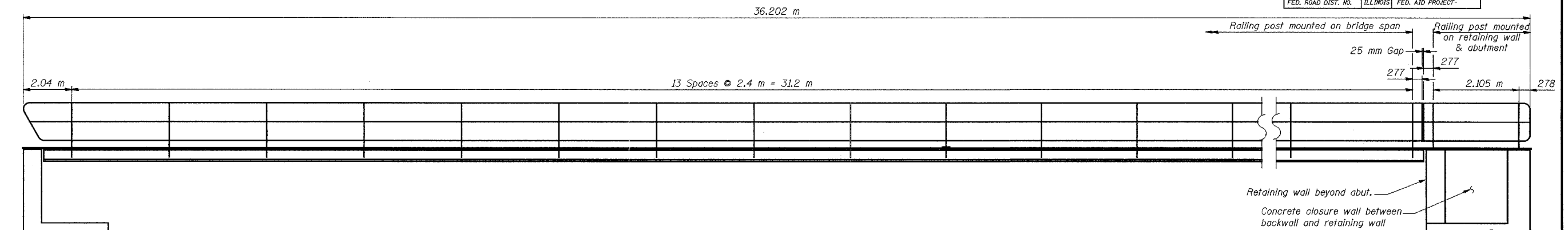


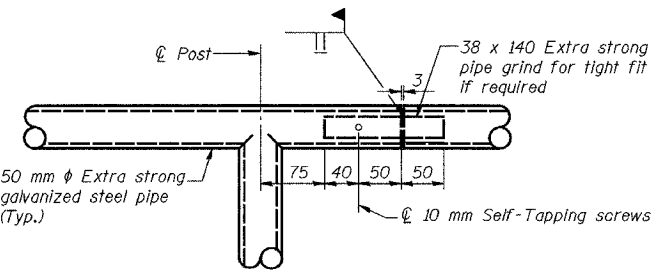
STATE OF ILLINOIS
DEPARTMENT OF TRANSPORTATION

ROUTE NO.	SECTION	COUNTY	TOTAL SHEETS	SHEET NO.
F.A.P. 337	19R-D	LAKE	800	596
FED. ROAD DIST. NO.	ILLINOIS	FED. AID PROJECT		

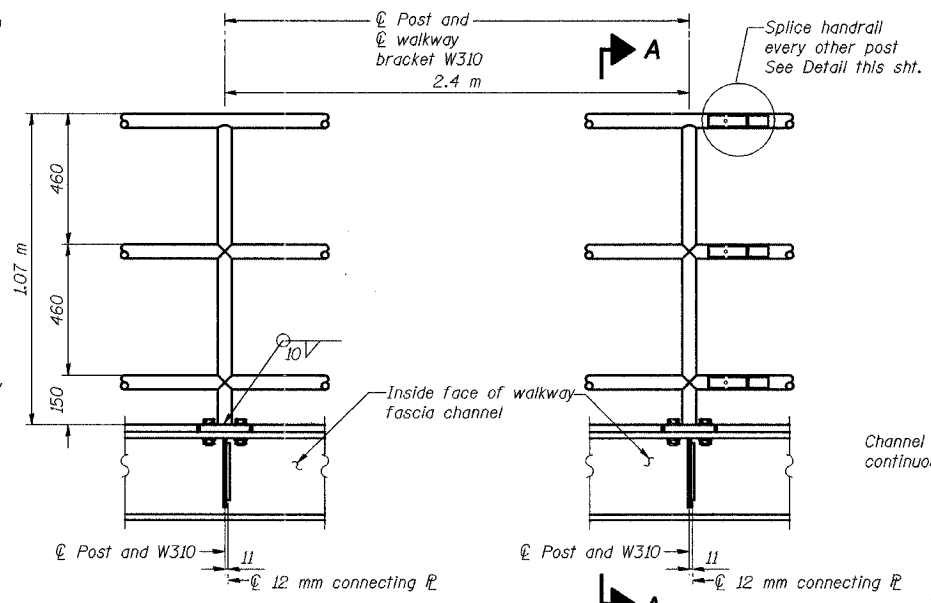
SHEET NO. 14
37 SHEETS



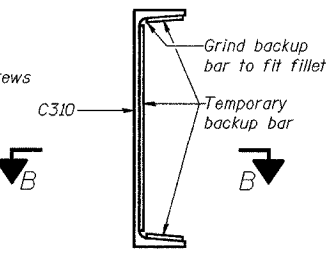
END POST AT NORTH ABUTMENT



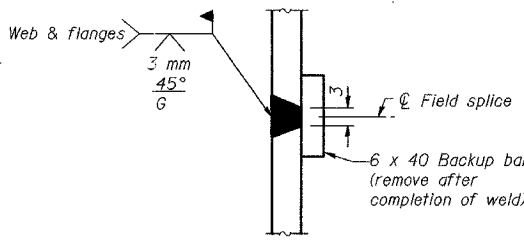
SPLICE DETAIL



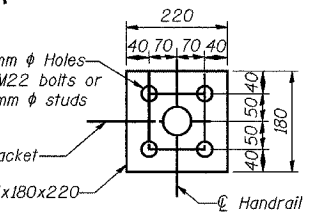
TYPICAL PANEL



CHANNEL SPLICE

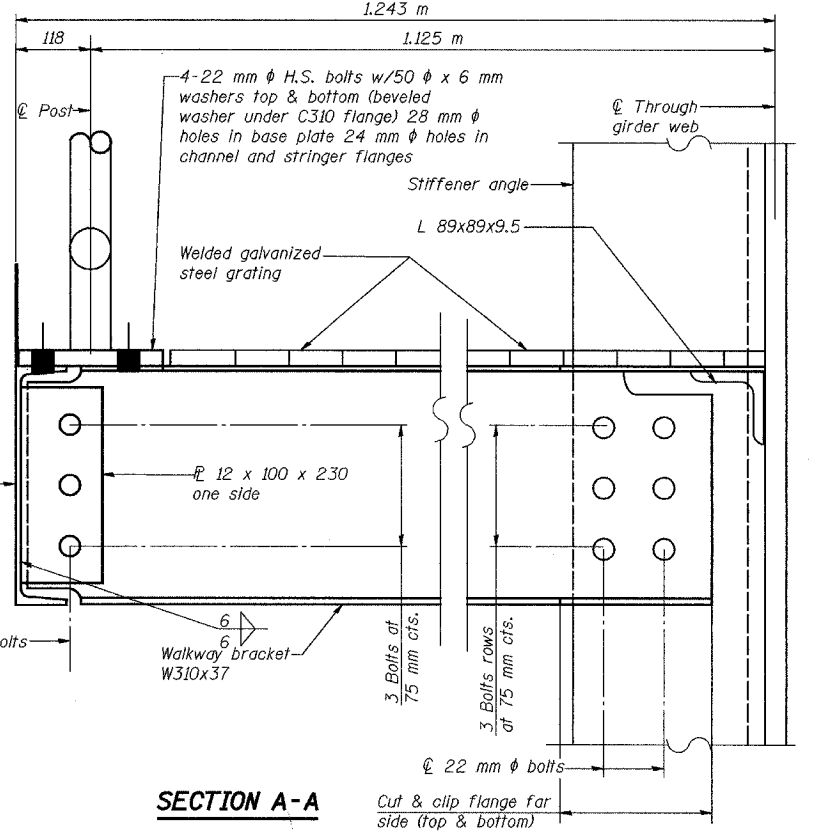


SECTION B-B



HANDRAIL POST BASE PLATE

Notes:
1. Railing, posts, base plates and bolts, nuts and washers for handrail connections shall be galvanized (See Special Provisions).
2. The Contractor shall coordinate with the Pipe Handrail fabricator for the as-built locations of the posts at the walkway brackets prior to fabricating Pipe Handrail. The Contractor shall correct any errors in fabrication of the Pipe Handrail with respect to as-built locations of walkway brackets at his own expense.



SECTION A-A

BILL OF MATERIAL

ITEM	UNIT	TOTAL
Pipe Handrail, Special	meter	36.20

HANDRAIL DETAILS

Date	Designed EV	ELGIN, JOLIET & EASTERN R.W. CO. BRIDGE OVER ILLINOIS ROUTE 22 F.A.P. ROUTE 337 SECTION (19R-D) LAKE COUNTY STATION 32+611.151 STRUCTURE NO. 049-0188	Sheet No. 14 of 37
Revisions	Drawn EV		
	Checked NPP		
	Approved NPP		
Prepared By: URS			