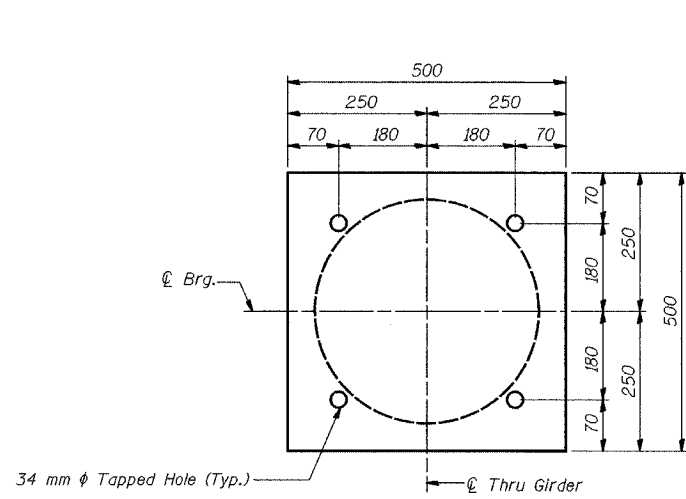


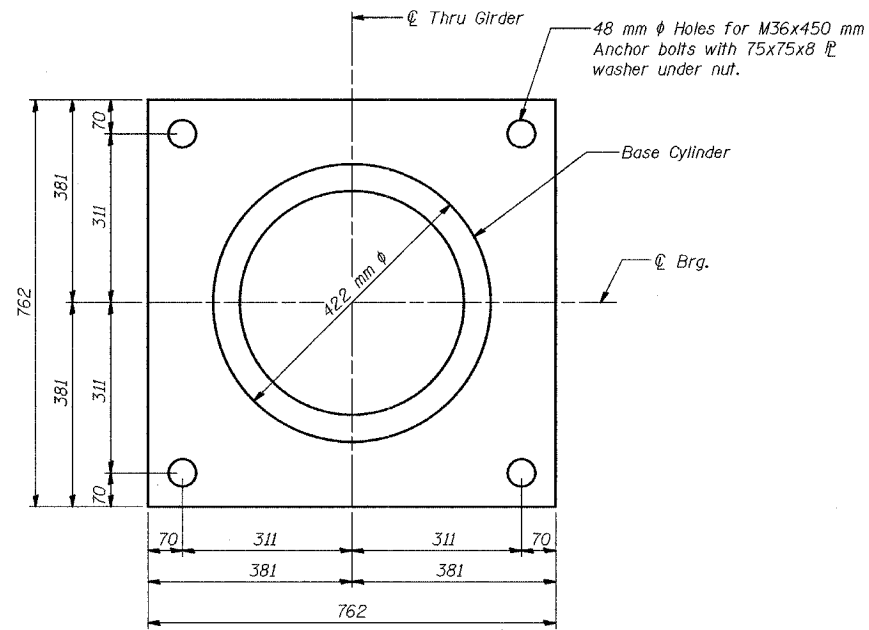
STATE OF ILLINOIS
DEPARTMENT OF TRANSPORTATION

ROUTE NO.	SECTION	COUNTY	TOTAL SHEETS	SHEET NO.
F.A.P. 337	19R-1	LAKE	800	598
FED. ROAD DIST. NO.	ILLINOIS	FED. AID PROJECT-		

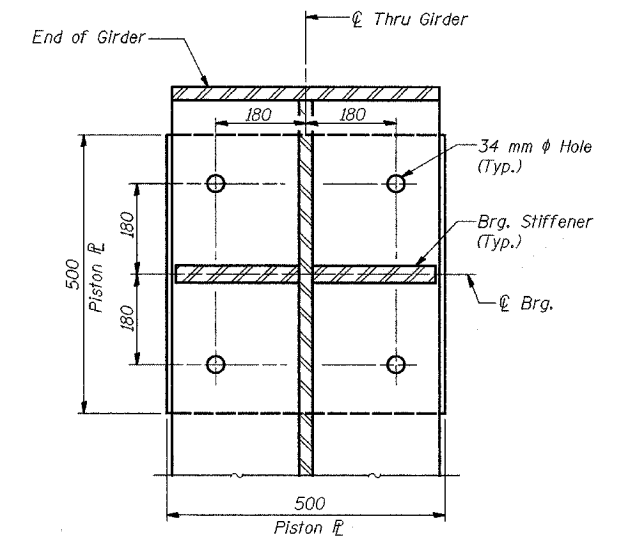
SHEET NO. 16
37 SHEETS



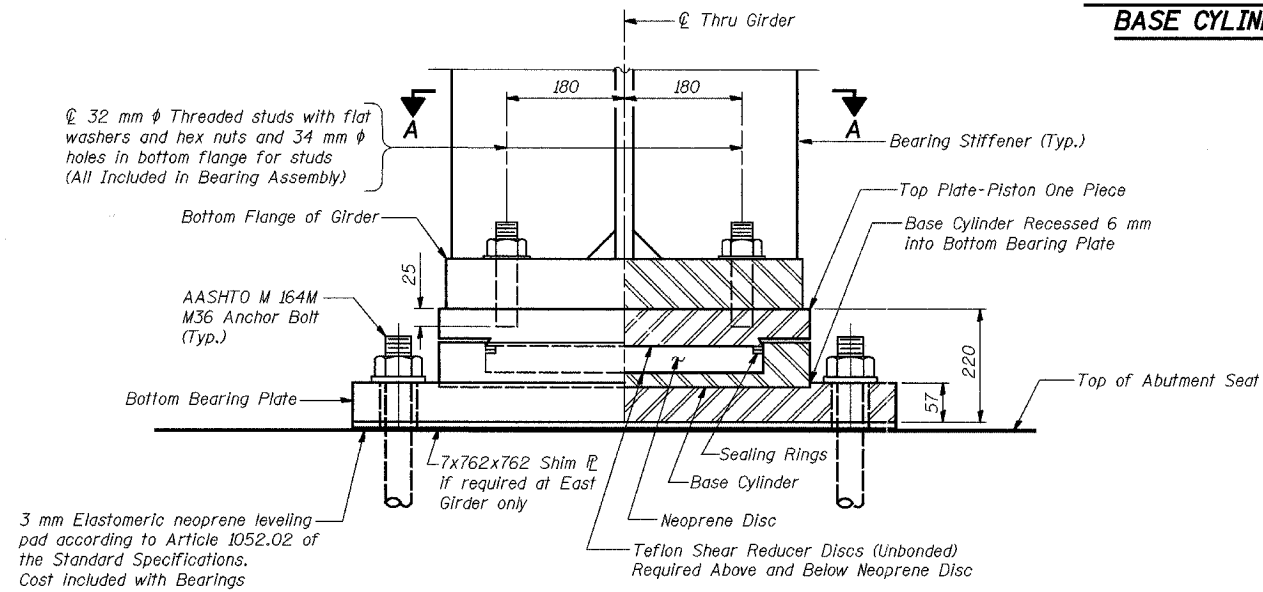
TOP BEARING/PISTON PLATE PLAN



BOTTOM BEARING PLATE & BASE CYLINDER PLAN



SECTION A-A



Half Elevation Half Section

FIXED FLOATING BEARING
(2 Required at South Abutment)

3 mm Elastomeric neoprene leveling pad according to Article 1052.02 of the Standard Specifications. Cost Included with Bearings

Rotation = .01 Radians (DL and LL)

Total - Total axial DL+LL w/o impact+W+BF...	2,525 kN
D - Outside pot diameter.....	422 mm
Tb - Thickness of bottom plate.....	57 mm
Tt - Thickness of top plate.....	86 mm
Th - Total height of bearing assembly.....	220 mm

BILL OF MATERIAL

Item	Unit	Total
Floating Bearings, Fixed - 2,600kN	Each	2

NOTE:

1. All steel for Floating Bearing shall conform to the requirements of AASHTO M 270M, Grade 345, unless noted otherwise.

THROUGH GIRDER FLOATING BEARINGS-FIXED

Date	Designed EV	ELGIN, JOLIET & EASTERN Rwy. CO. BRIDGE OVER ILLINOIS ROUTE 22 F.A.P. ROUTE 337 SECTION (19R-1) LAKE COUNTY STATION 32+61L151 STRUCTURE NO. 049-0188	Sheet No.
Revisions	Drawn EV		<p style="font-size: 2em; text-align: center;">16</p>
	Checked NPP		
	Approved NPP		
Prepared By: URS			