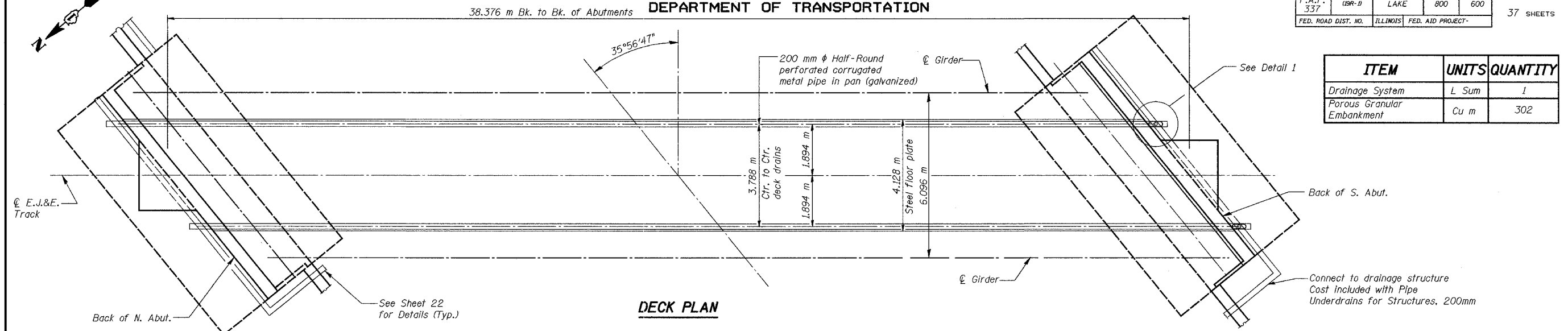


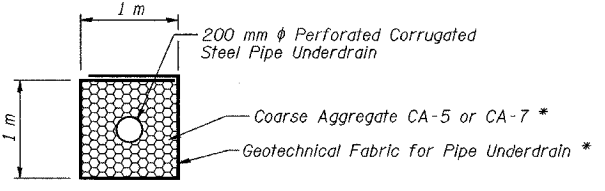
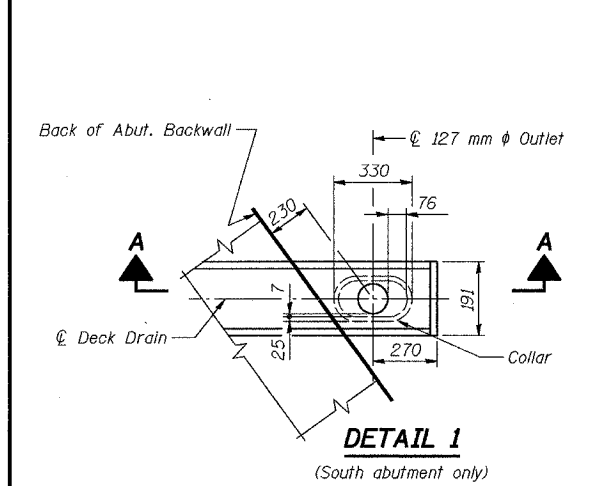
STATE OF ILLINOIS
DEPARTMENT OF TRANSPORTATION

ROUTE NO.	SECTION	COUNTY	TOTAL SHEETS	SHEET NO.
F.A.P. 337	(19R-1)	LAKE	800	600
FED. ROAD DIST. NO.		ILLINOIS	FED. AID PROJECT-	

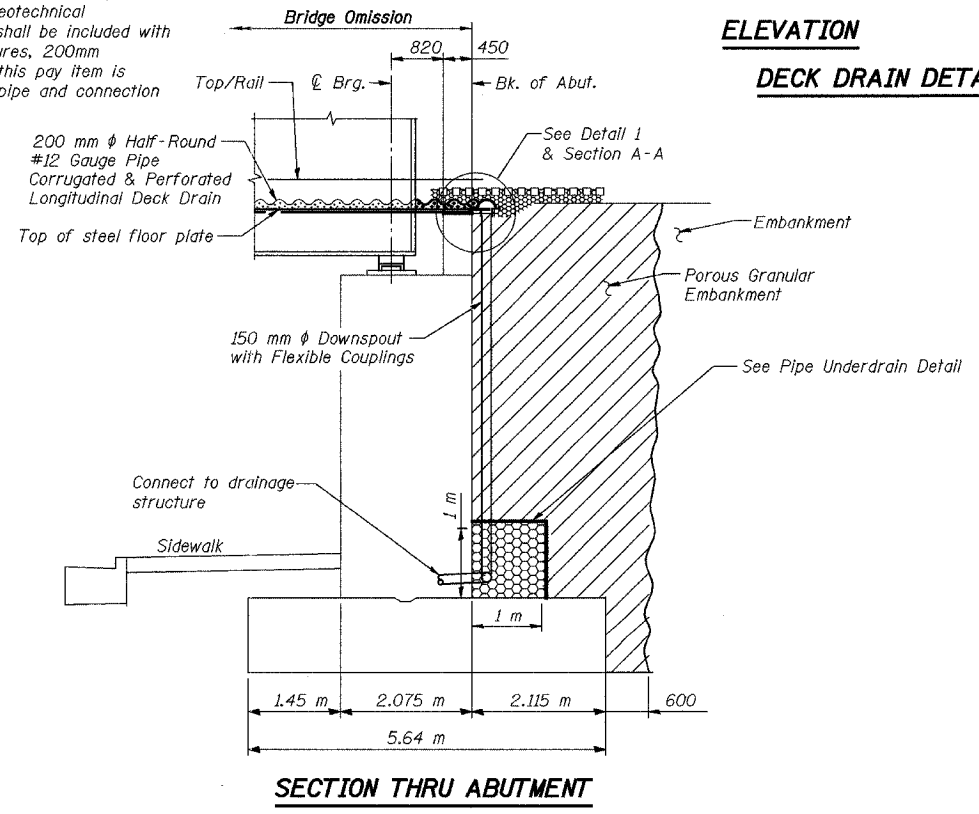
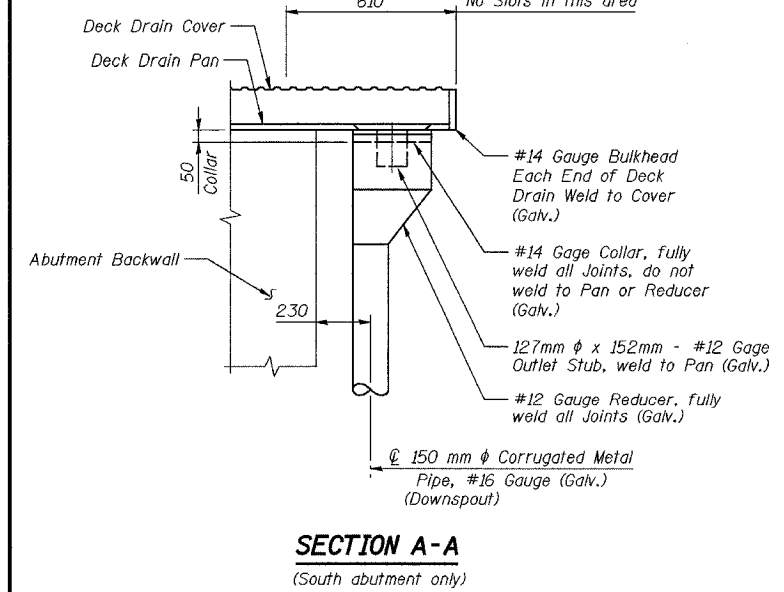
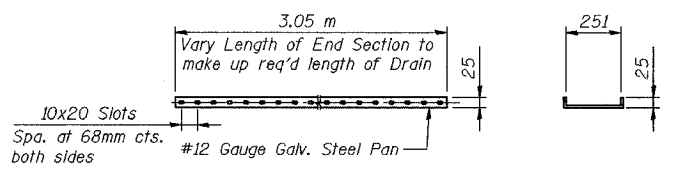
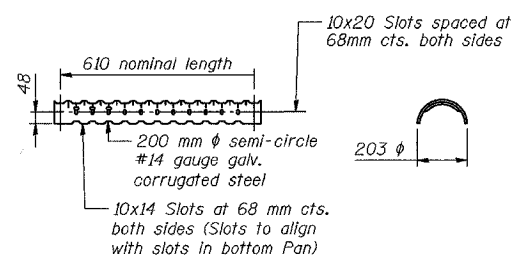
SHEET NO. 18
37 SHEETS



ITEM	UNITS	QUANTITY
Drainage System	L Sum	1
Porous Granular Embankment	Cu m	302



* Cost of Perforated Corrugated Steel Pipe Underdrain, Coarse Aggregate and the Geotechnical Fabric for Pipe Underdrain shall be included with Pipe Underdrains for Structures, 200mm Pay Item. Also included in this pay item is the cost of non-perforated pipe and connection to the drainage structure.



- NOTES:
1. Drain piping material shall conform to ASTM A53M Schedule 40. Deck Drain Bottom Pan, Perforated Corrugated Metal Pipe Drain Cover, and Miscellaneous attachment details shall conform to M270M Grade 250.
 2. All piping material shall be galvanized after fabrication. Welded fittings shall be provided.
 3. A removable 13 mm mesh galvanized screen, or other approved rodent guard, is to be fastened to the end of the outlet pipe.
 4. Deck Drains, Downspouts, hardware and connection to the Pipe Underdrains for Structures, 200mm shall be included for the payment under "DRAINAGE SYSTEM".
 5. See shts. 21 and 29 for Bill of Materials for Pipe Underdrains For Structures, 200mm.

DECK DRAINAGE SYSTEM			
Date	Designed	EV	ELGIN, JOLIET & EASTERN Rwy. CO. BRIDGE OVER ILLINOIS ROUTE 22 F.A.P. ROUTE 337 SECTION (19R-1) LAKE COUNTY STATION 32+611.151 STRUCTURE NO. 049-0188
Revisions	Drawn	EV	
	Checked	NPP	
	Approved	NPP	
	Prepared By:	URS	
			Sheet No. 18 of 37