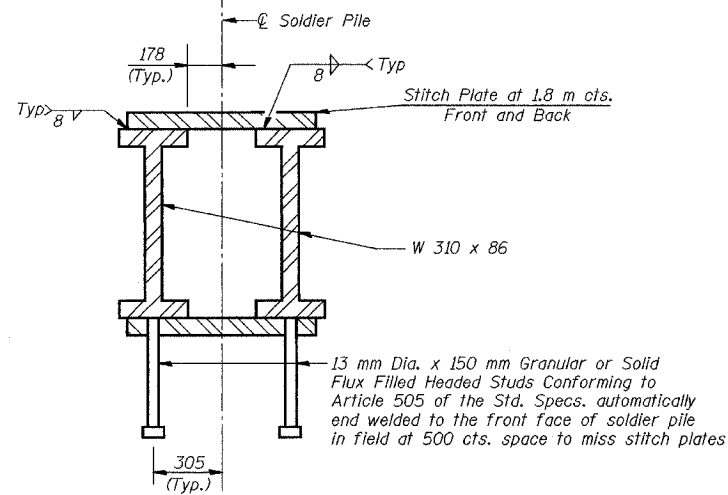


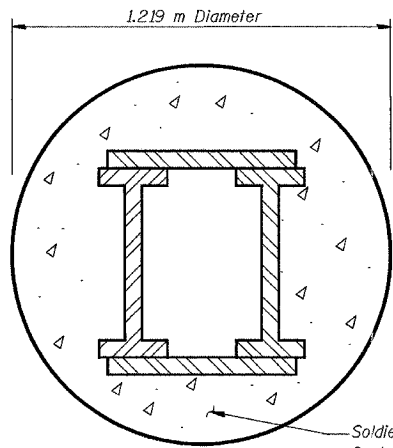
STATE OF ILLINOIS
DEPARTMENT OF TRANSPORTATION

ROUTE NO.	SECTION	COUNTY	TOTAL SHEETS	SHEET NO.
F.A.P. 337	19R-1	LAKE	800	607
FED. ROAD DIST. NO.	ILLINOIS	FED. AID PROJECT		

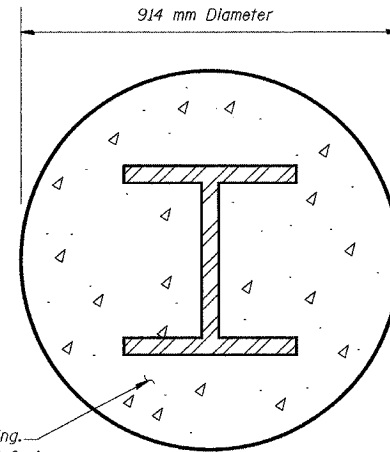
SHEET NO. 25
37 SHEETS



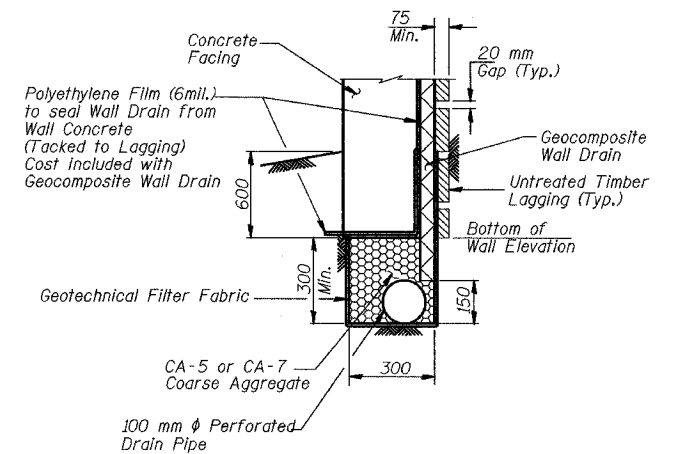
SOLDIER PILE DETAIL
Soldier Piles No.s 2 through 9



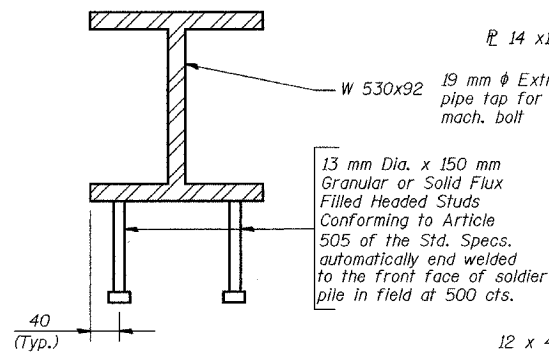
SECTION THRU SOLDIER PILE
Soldier Piles No.s 2 through 9



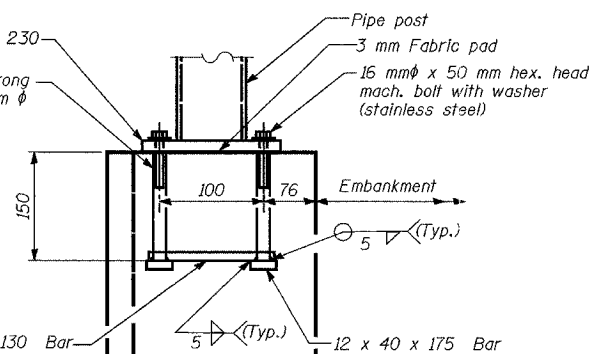
SECTION THRU SOLDIER PILE
Soldier Piles No.s 1 and 10.



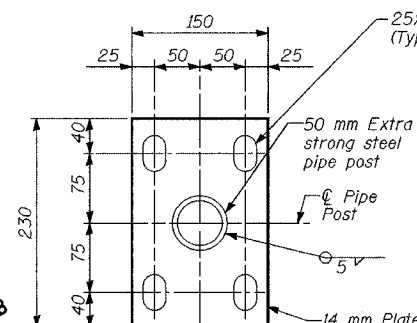
PIPE UNDERDRAINS BETWEEN SOLDIER PILES DETAIL



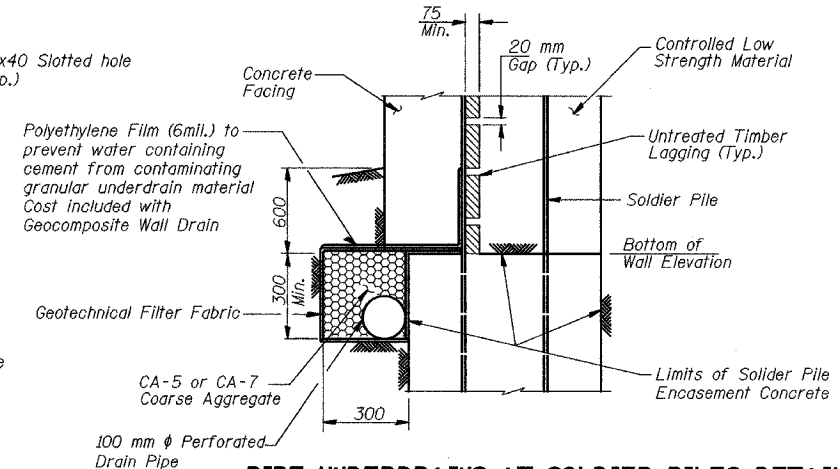
SOLDIER PILE DETAIL
Soldier Piles No.s 1 and 10.



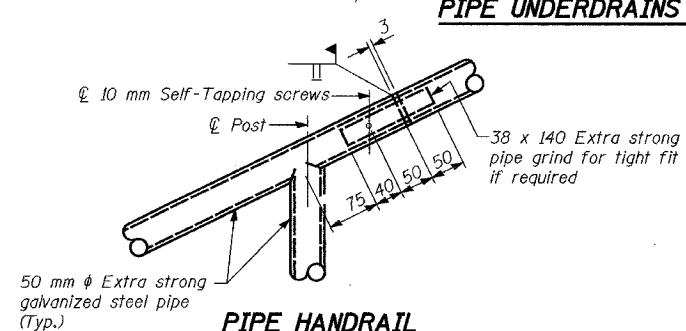
ANCHOR BOLT DETAIL FOR HANDRAIL POST



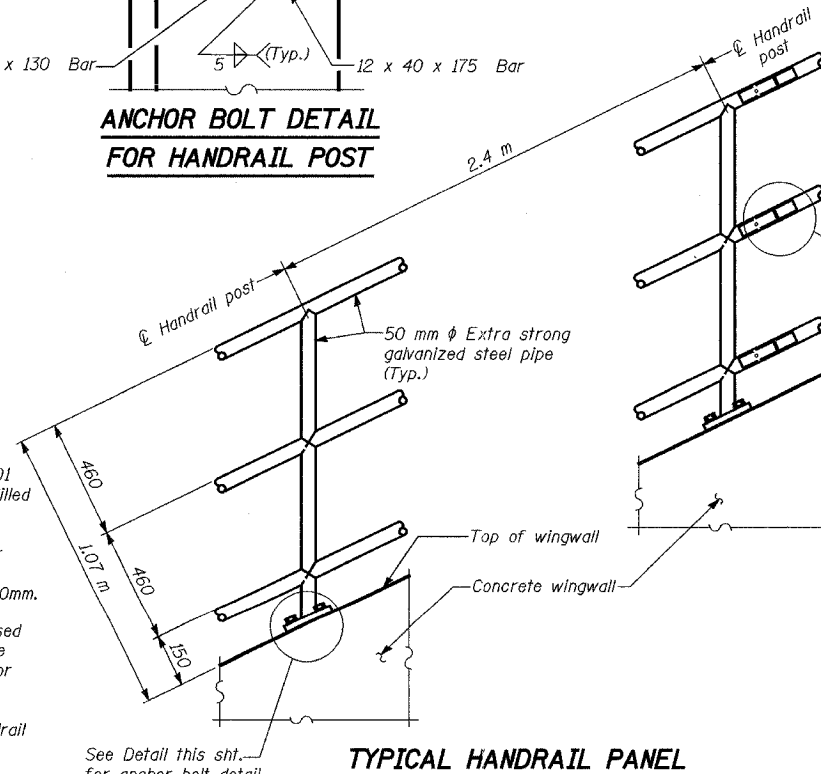
BASE PLATE FOR HANDRAIL POST



PIPE UNDERDRAINS AT SOLDIER PILES DETAIL



PIPE HANDRAIL SPLICE DETAIL



TYPICAL HANDRAIL PANEL

NOTES:

1. Work this Sheet with Sheets 19 through 24 and 26.
2. All dimensions are in millimeters (mm) except as noted.
3. For Drainage Details see Sheet 22.
4. For Rustication Details see Sheet 21.
5. The Pipe Underdrain for Structures installation shall follow Section 601 of the Standard Specifications, except that the excavation should be filled with CA-5 or CA-7 Coarse Aggregate. The trench will be lined with Geotechnical Fabric for Pipe Underdrains and have a 100mm diameter Perforated Pipe located near the base of the excavation. The cost for the Geotechnical Fabric, coarse aggregate and Perforated Drain Pipe will be included with the Pay Item Pipe Underdrains for Structures, 100mm.
6. Pipe Underdrains for Structures, 100mm shall connect with the proposed Storm Drainage System as shown in the Drainage Plans. See Drainage Plans for details. Cost of connections included in Pipe Underdrains for Structures, 100mm.
7. Railing, posts, base plates and bolts, nuts and washers for pipe handrail shall be galvanized (See Special Provisions).
8. See Sht. 22 for locations of Pipe Handrail (Special).

NORTH ABUTMENT WING WALLS DETAILS 3			
Date	Designed	EV	ELGIN, JOLIET & EASTERN Rwy. CO. BRIDGE OVER ILLINOIS ROUTE 22 F.A.P. ROUTE 337 SECTION (19R-1) LAKE COUNTY STATION 32+61.151 STRUCTURE NO. 049-0188
Revisions	Drawn	EV	
	Checked	NPP	
	Approved	NPP	
	Prepared By:	URS	
			Sheet No. 25 of 37